

# SHURFLO® 3200 MACERATOR PUMP

## INSTALLATION, OPERATION & REPAIR MANUAL

SHURFLO's macerator pump is designed to empty marine and RV holding tanks of normal waste. It is also an excellent choice for emptying fish boxes of scales and residual waste. A flow rate of up to 13 gallons per minute conveniently empties any tank in minutes. The unique dual-cut blade design ensures waste is ground up thoroughly. The pump is self-priming to a five foot lift when impeller is wet, four foot lift when impeller is dry, but for optimum performance and life, it should be mounted as close to the tank as possible. Marine pump out must be in proper discharge zones only. This macerator will not handle hard objects, rags, or feminine napkins.

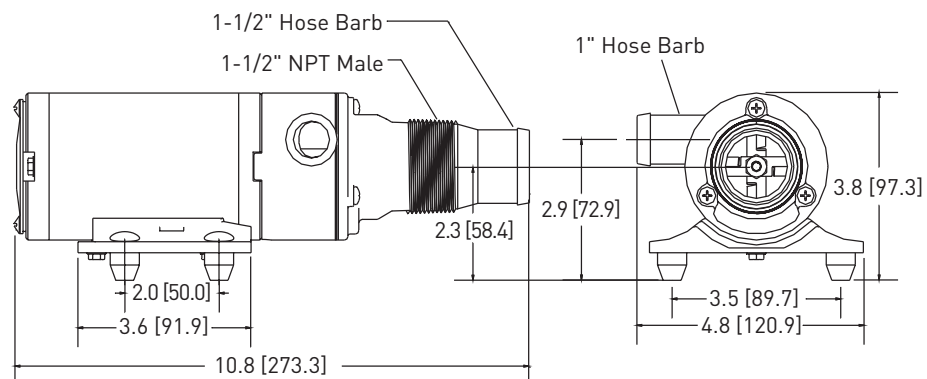
### PRODUCT SPECIFICATIONS



<b>Motor:</b>	Seamless can motor, 1/8 hp Thermally protected
<b>Lead Wires:</b>	14 GA
<b>Fuse:</b>	See motor label for fuse size
<b>Pump Type:</b>	Flexible Impeller
<b>Duty Cycle:</b>	Intermittent duty only
<b>Ports:</b>	Inlet: 1-1/2" hose barb & 1-1/2" NPT Male Outlet: 1" hose barb
<b>Impeller:</b>	Brandonite®
<b>Blade:</b>	316 stainless "Double-cut"
<b>Dimensions:</b>	See drawing
<b>Weight:</b>	5 lbs.
<b>Approvals:</b>	Ignition protected, ISO 8846, CE, and CSA, models available
<b>Typical Flow:</b>	Dependent on fluid viscosity (Chart below based on water)

HEAD	FLOW GPM [LPM]		MAX. DC AMPS	
Ft. [m]	12 V	24 V	12 V	24 V
0 [0]	13 [49]	13 [49]	17	9

Max. Operating Head = 30 feet



## ELECTRICAL CONNECTIONS

**WARNING:** If the pump is operated in an area containing flammable vapors, the wire leads must be joined by insulated mechanical locking connectors. Loose or inadequate wire connections can spark, resulting in an explosion resulting in property damage, injury, or death. All electrical installations should be done by a qualified electrician.

■ Pump must be protected with proper size fuse as specified on the motor label.

■ Pump should be operated on a separate circuit.

■ Pump should be connected to properly sized momentary switch. This prevents pump from damage due to long periods of dry run condition.

■ Switch should be near pump. This will allow operator to hear change in pump sound when tank is empty.

**AVERTISSEMENT:** Si la pompe est utilisée dans une zone contenant des vapeurs inflammables, les fils doivent être reliés par des raccords à verrouillage mécanique isolés. Des raccordements de fils desserrés ou inadéquats peuvent produire des étincelles et provoquer une explosion entraînant des dommages matériels, des blessures ou la mort. Toutes les installations électriques doivent être effectuées par un électricien qualifié.

■ La pompe doit être protégée par un fusible de calibre approprié comme précisé sur l'étiquette du moteur.

■ La pompe devrait être utilisée sur un circuit distinct.

■ La pompe devrait être raccordée à un interrupteur à rappel calibré correctement. Cela protège la pompe contre les dommages attribuables à de longues périodes de tournage à sec.

■ L'interrupteur devrait se trouver près de la pompe. Cela permettra à l'utilisateur d'entendre un changement dans le son de la pompe lorsque le réservoir est vide.

**NOTE:** For proper operation motor must rotate counterclockwise when viewed from pump end.

### ELECTRICAL INSTALLATION CHECKLIST

- ✓ Separate circuit from power source
- ✓ Proper size momentary switch mounted near pump
- ✓ Proper wire size to length
- ✓ Proper fuse size and type
- ✓ Insulated wire connectors

12 Volt System Total Wire Length*	Min. Wire Size (20 Amps)	
	3% Drop	10% Drop
Feet [m]	GA	GA
1-10 [.3-3]	#10	#16
11-20 [3.3-6]	#8	#14
21-30 [6.4-9.1]	#6	#12
30-60 [9.1-18.2]	#4	#10

\*length from power source to motor and back to ground.

## PLUMBING CONNECTIONS

Pump should be mounted as near as possible to tank to minimize dry run. Pump is self-priming to a five-foot lift when impeller is wet, four foot lift when impeller is dry. Pump is more efficient if mounted near the holding tank. Installations should be done by qualified marine tech.

**INLET:** Always install pump with a shut-off valve between pump and holding tank.

**Hose:** Use 1-1/2" ID [non-collapsible vacuum rated] hose on inlet [suction] side. Use stainless steel hose clamps on all sanitation connections.

**Flange:** To mount to 1-1/2" female flange, inlet barb must be cut off just before threads. Seal threads and hand tighten.

**WARNING:** Any air leak on inlet side can cause pump to run dry and can damage impeller and impeller housing. Check all inlet side connections, even those on deck plates. All runs should be smooth with no kinks or sharp angles.

**AVERTISSEMENT:** Une fuite d'air sur le côté aspiration peut causer le tournage à sec de la pompe et endommager la turbine et le boîtier de turbine. Vérifier tous les raccordements sur le côté aspiration, même ceux sur les plaques de plateforme. Tous les parcours doivent être lisses, sans tortillement ni angle aigu.

**OUTLET:** Use 1" minimum ID hose on discharge side of pump. Connect to thru hull fitting above highest heeled point above waterline. Vented loop installations must vent at least 10" above highest heeled point above waterline. Use stainless steel hose clamps on all sanitation connections.

### Operation: INTERMITTENT DUTY ONLY!

Pump switch must be near pump and tank so operator can hear pump running.

Make sure shut-off valve to pump and dump valve [if equipped] are both open. Turn on momentary switch and pump out tank. When tank is empty, pump will get louder with a high pitch sound. Immediately turn pump off, or damage to impeller and housing will occur. Do not run pump dry for more than 15 – 20 seconds. Flush tank and pump with water after each use. This macerator will handle normal waste, tissues, cigarettes, fish scales, etc. It is not designed to handle large hard objects such as large bones or fruit pits.

**Periodic Maintenance and Storage:** Flush with water after each use. Check wire connections occasionally. After periods of non-use, impeller can stick. To loosen, open rear shaft cover and turn motor shaft clockwise with a flat tip screwdriver. Then replace shaft cover. For extended periods of non-use, pump impeller can be lubricated by running a small amount of mineral oil through holding tank system.

## PARTS & KITS LIST

Item	Description	Qty.
1	Cover Screw	3
2	Cutter Housing	1
3	O-Ring	1
4	Hex Nut	1
5	Top Cutter	1
6	Bottom Cutter	1
7	Top Wear Plate	1
8	Gasket	1
9	Impeller	1
10	Bottom Wear Plate	1
11	Impeller Housing	1
12	Shaft Seal	1
13	Slinger	1
14	Motor Assembly	1
15	O-Ring	1
16	Rear End Shaft Cover	1
17	End Cap Screw	2
18	Baseplate Assembly	1
19	Hex Bolt	2

## MAINTENANCE TURN OFF ALL POWER!

### REAR END CAP/ MOTOR SHAFT SLOT ACCESS

Loosen end cap screws (17). Rotate shaft cover (16) to access slot on motor shaft.

### PUMP DISASSEMBLY

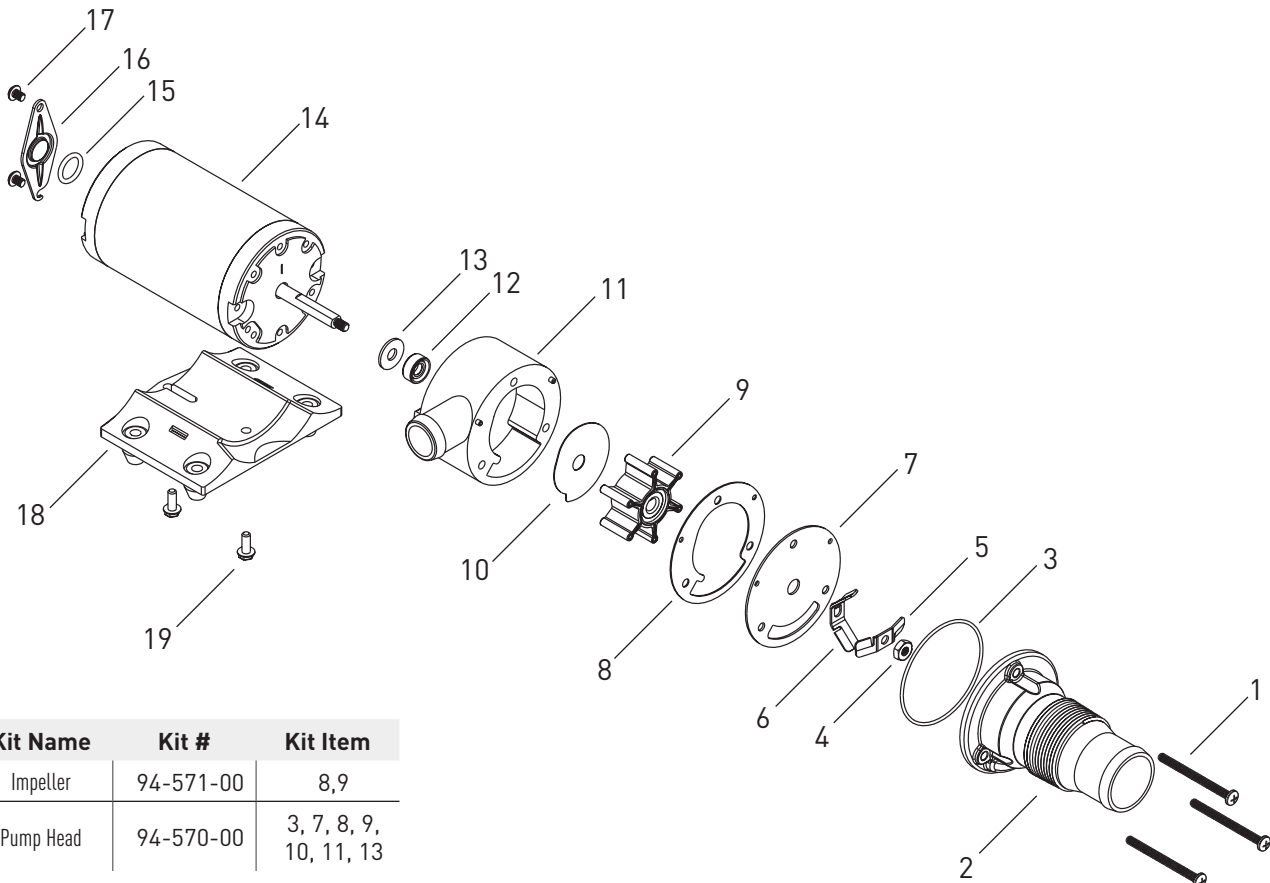
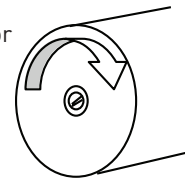
Remove 3 cover screws (1). Remove cutter housing (2) and o-ring (3). Remove hex nut (4) and cutter blades (5) & (6). It may be necessary to hold the motor shaft steady. Insert a screwdriver into slot on motor shaft (see slot access above), or slip a thin wrench (9/32" [7mm]) behind blades onto flat of motor shaft. Remove top wear plate (7), gasket (8), impeller (9) and bottom wear plate (10). Remove impeller housing (11) and shaft seal (12). It is not necessary to remove slinger (13).

### PUMP REASSEMBLY

Make sure slinger (13) is on shaft. Make sure shaft seal (12) is inserted properly into rear of impeller housing (11). Slide impeller housing (11) onto motor shaft. Seat bottom wear plate (10) into housing. Twist impeller (9) onto shaft and into housing with a counterclockwise motion. Install gasket (8) and top wear plate (7). Install cutter blades (6) & (5) with tab on bottom blade aligned with motor shaft flat. Secure motor shaft with screwdriver or wrench (9/32" [7mm]) and tighten hex nut (4). Position o-ring (3) and cutter housing (2) in place, and install cover screws (1).

### MAINTENANCE TIP!

Loosen stuck impeller by turning motor shaft clockwise from rear with a flat-tipped screwdriver.



Kit Name	Kit #	Kit Item
Impeller	94-571-00	8,9
Pump Head	94-570-00	3, 7, 8, 9, 10, 11, 13

## WARRANTY ON SHURFLO MACERATOR PUMPS

---

**DO NOT SHIP MACERATOR PUMPS TO SHURFLO PUMP MANUFACTURING COMPANY!** Under no circumstance will Macerator Pump returns be accepted at SHURFLO Pump Co. for any reason. All returns must be taken to an authorized SHURFLO dealer/marine store for replacement.

SHURFLO warrants to the original purchaser of its products (the "Purchaser") that such products will be free from defects in material and workmanship under normal use for the period of one (1) year for all products except: accessories will be free from defects in material and workmanship under normal use for the period of ninety (90) days.

"Normal use" does not include use in excess of recommended pressures, vacuums and temperatures, or use requiring handling of fluids not compatible with component materials, as noted in SHURFLO product catalogs, technical literature, and instructions. This warranty does not cover freight damage, freezing damage, normal wear and tear, or damage caused by misapplication, fault, negligence, alterations, or repair that affects the performance or reliability of the product.

**THIS WARRANTY IS EXCLUSIVE. SHURFLO MAKES NO OTHER WARRANTY, EXPRESS OR IMPLIED, INCLUDING BUT NOT LIMITED TO ANY WARRANTY OF MERCHANTABILITY OR FITNESS FOR A PARTICULAR PURPOSE.**

**THIS IS THE EXCLUSIVE REMEDY FOR ANY BREACH OF WARRANTY. IN NO EVENT SHALL SHURFLO BE LIABLE FOR ANY INCIDENTAL OR CONSEQUENTIAL DAMAGES OF ANY KIND, WHETHER FOR BREACH OF ANY WARRANTY, FOR NEGLIGENCE, ON THE BASIS OF STRICT LIABILITY, OR OTHERWISE.**

SHURFLO reserves the right to request a Material Safety Data sheet from the Purchaser for any pump or product SHURFLO deems necessary. SHURFLO reserves the right to "disposition as scrap" pumps or products returned which contain unknown substances, or to charge for any and all costs incurred for chemical testing and proper disposal of components containing unknown substances. SHURFLO requests this in order to protect the environment and personnel from the hazards of handling unknown substances.

SHURFLO may request additional information, and may require a sketch to illustrate the problem.

Contact the closest factory with questions.



3545 HARBOR GATEWAY SOUTH, SUITE 103, COSTA MESA, CA 92626, (800) 854-3218 WWW.SHURFLO.COM

All Pentair trademarks and logos are owned by Pentair, Inc. All other brand or product names are trademarks or registered marks of their respective owners. Because we are continuously improving our products and services, Pentair reserves the right to change specifications without prior notice. Pentair is an equal opportunity employer.

911-566 Rev. P 03/16 ©Pentair, Inc. All Rights Reserved.