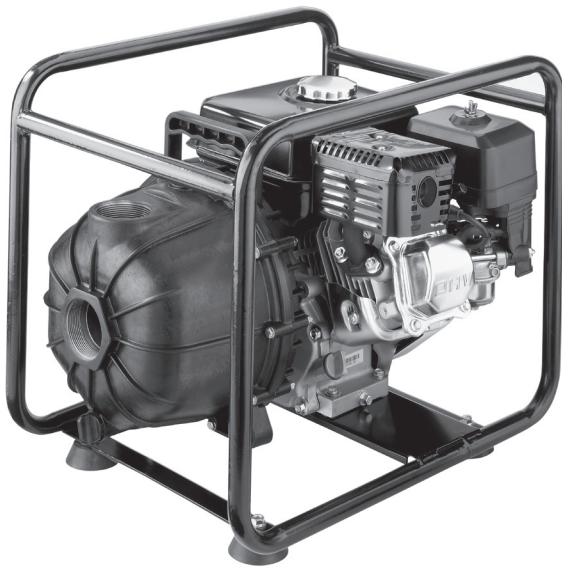


# COMPOSITE ENGINE-DRIVEN SELF-DRIVING PUMP

## EDP55RV MODEL



Lightweight, corrosion resistant, engineered composite pump construction make this engine-driven pump extremely versatile for applications where electrical power is not available.

Powered by a powerful 6-1/2 HP, PowerPro 4-cycle gasoline engine, rated for continuous-duty, equipped with professional-grade features like an automatic low-oil safety cut, manual throttle, choke and shut-off controls.

Securely mounted within a rugged steel framed roll cage, reinforced with steel cross-members, coated for corrosion resistance, equipped with noise dampening, non-slip rubber feet. Suction lift capability of 25 feet.

### APPLICATIONS

Water Transfer and Supply, Sprinkler Turf Irrigation, Dewatering, Fire Protection, Light Agriculture, Commercial, and Marine.

### FEATURES

- ◆ Rugged light weight design.
- ◆ Corrosion resistant composite pump construction.
- ◆ Chemical resistant viton seals, O-rings with stainless steel fasteners.
- ◆ Built in check valve.

### SPECIFICATIONS

- ◆ **Body:** Reinforced corrosion resistant thermoplastic
- ◆ **Impeller:** Polymer
- ◆ **Diffuser:** Reinforced corrosion resistant thermoplastic
- ◆ **Seals:** Viton mechanical
- ◆ **O-Rings:** Viton
- ◆ **Check Valve:** Viton
- ◆ **Roll Cage:** Coated steel frame with cross member and stay-in-place (no-slip) rubber feet
- ◆ **Engine:** 6-1/2 HP
- ◆ **Dimensions:** 21"H x 17"D x 21"L
- ◆ **Fasteners:** 300 Grade stainless steel

### ACCESSORIES

**Suction Hose Kit:** Built-in 2" NPTF swivel fitting and 2" NPTM fitting for easy hookup; coil reinforced wall prevents collapse; includes aluminum suction screen to prevent debris from reaching pump.

**Discharge Hose Kit:** Built-in 2" NPTF swivel fitting and 2" NPTM fitting for easy hookup; collapsible for easy roll-up and storage; reinforced wall adds durability.

# COMPOSITE ENGINE-DRIVEN SELF-PRIMING PUMP

## ORDERING INFORMATION

CATALOG NUMBER	HP	DESCRIPTION	PIPE TAPPING SIZES		APPROX. WT. LBS./KG.
			SUCTION	DISCHARGE NPT	
EDP55RV	6-1/2	Engine-driven pump w/roll cage	2" NPT	2" NPT	46/20.9

## ACCESSORIES

CATALOG NUMBER	DESCRIPTION	APPROX. WT. LBS./KG.
FP2735	2" x 15' Suction Hose Kit	15/6.8
FP2731	2" x 25' Discharge Hose Kit	6/2.7



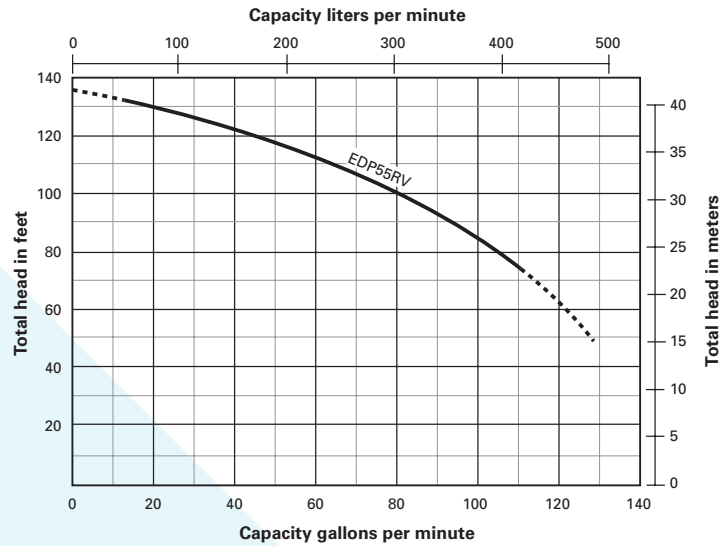
FP2735 Suction Hose Kit



FP2731 Discharge Hose Kit

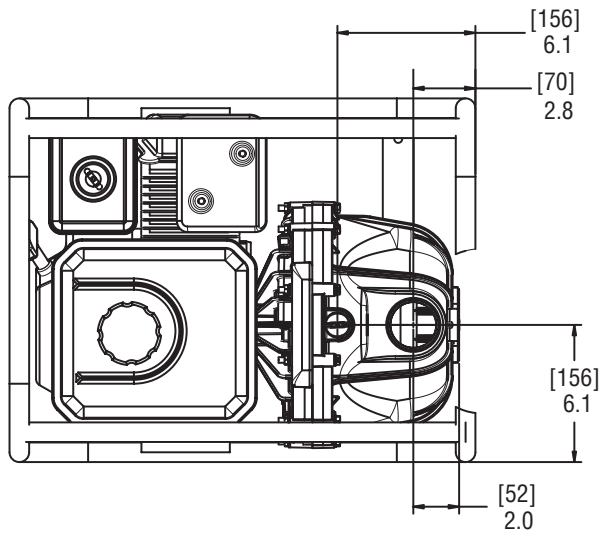
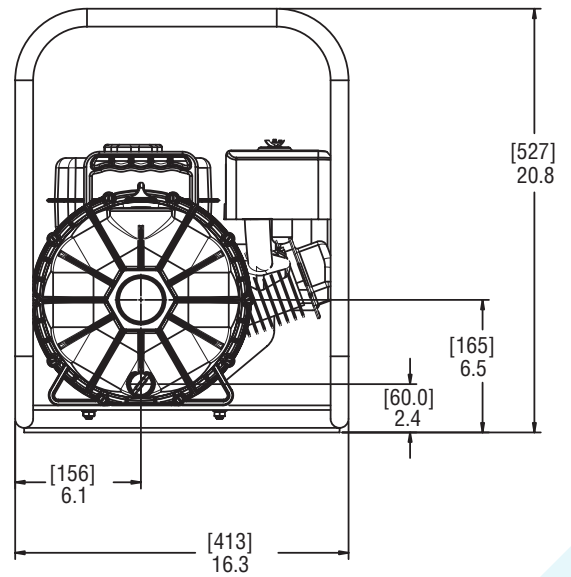
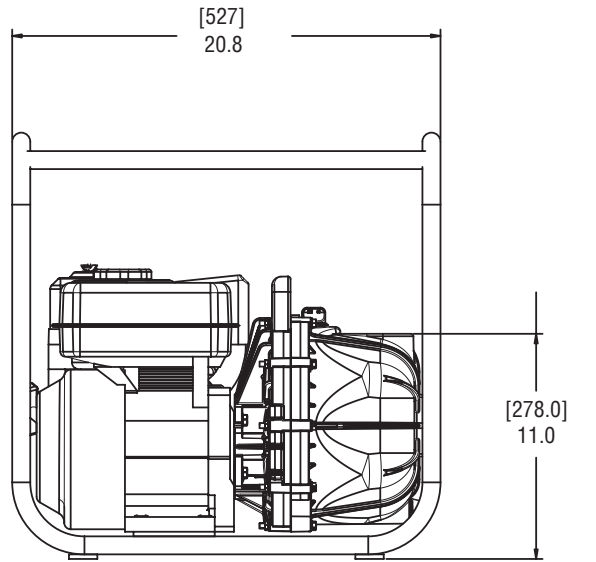
In order to provide the best products possible, specifications are subject to change.

## OUTLINE DIMENSIONS



# COMPOSITE ENGINE-DRIVEN SELF-PRIMING PUMP

## PUMP PERFORMANCE



Dimensions (in inches) are for estimating purposes only.



293 Wright Street  
Delavan, WI 53115  
Ph: 866.973.6835  
Fx: 800.426.9446

490 Pinebush Rd., Unit 4  
Cambridge, Ontario  
Canada N1T 0A5  
Ph: 800.363.7867  
Fx: 888.606.5484

[pentair.com](http://pentair.com)

All indicated Pentair trademarks and logos are property of Pentair. Third party registered and unregistered trademarks and logos are the property of their respective owners. Because we are continuously improving our products and services, Pentair reserves the right to change specifications without prior notice. Pentair is an equal opportunity employer.

©2023 Pentair. All Rights Reserved.

PS6212WS (08-01-23)