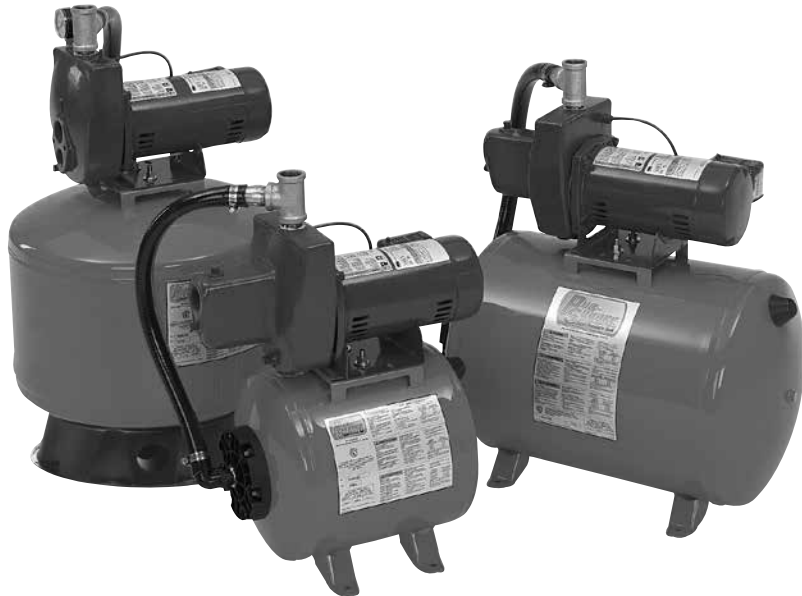


PRO-SOURCE® Jet/Tank Packages

Cast Iron



Pro-Source™ Water System Packages are handy and economical pump/tank packages for the professional contractor. The Pro-Source Water System Packages utilize the ProJet™ cast iron jet pumps and the dependable

Pro-Source quality pressurized steel tanks. Plumbing connections are made using galvanized fittings and 3-ply nylon reinforced vinyl tubing with stainless steel hose clamps. Ideal for installations where there is limited space.

APPLICATIONS

Water systems, sprinkling and pressure boosting...for homes, farms and cottages.

SPECIFICATIONS

Max. Liquid Temperature:
120°F (49°C)

Max. Inlet Pressure: 50 PSI

Pump Discharge PSI: Not to exceed 100 PSI

FEATURES

ProJet™ Jet Pumps

Body: Close-grained cast iron

Nozzle: High-strength polycarbonate

Venturi: Polycarbonate

Impeller: Noryl®

Diffuser: Reinforced polypropylene

Shaft: 416 stainless steel

Base: Steel, 10 gauge

Pro-Source™ Pressurized Tanks

Shell: Heavy-gauge steel

Base: High-impact composite; polypropylene

Finish: Baked-on polyester paint

Water Cell: PVC made from FDA listed material

Flange: Reinforced polypropylene

Connections: Galvanized

Tubing: 3-ply nylon reinforced vinyl with stainless steel hose clamps

ORDERING INFORMATION

JET/TANK CATALOG NUMBER	HP	JET PUMP TYPE	PUMP CAT. NO.	TANK CAT. NO.	TANK STYLE	TANK CAPACITY U.S. GAL.	DRAWDOWN @ 30-50 PSI SWITCH SET.	CONNECTION SIZE FEMALE	APPROX. WT. LBS.
5HNP42	1/2	Shallow Well	5HN	PS19H-S00	Horizontal	19	5.8	1" NPT	95
5SNP42	1/2	Shallow Well	5SN	PS19S-T02	Vertical	19	5.8	1" NPT	120
5SLP42*	1/2	Deep Well	5SL	PS19S-T02	Vertical	19	5.8	1" NPT	127
7SLP42*	3/4	Deep Well	7SL	PS19S-T02	Vertical	19	5.8	1" NPT	130

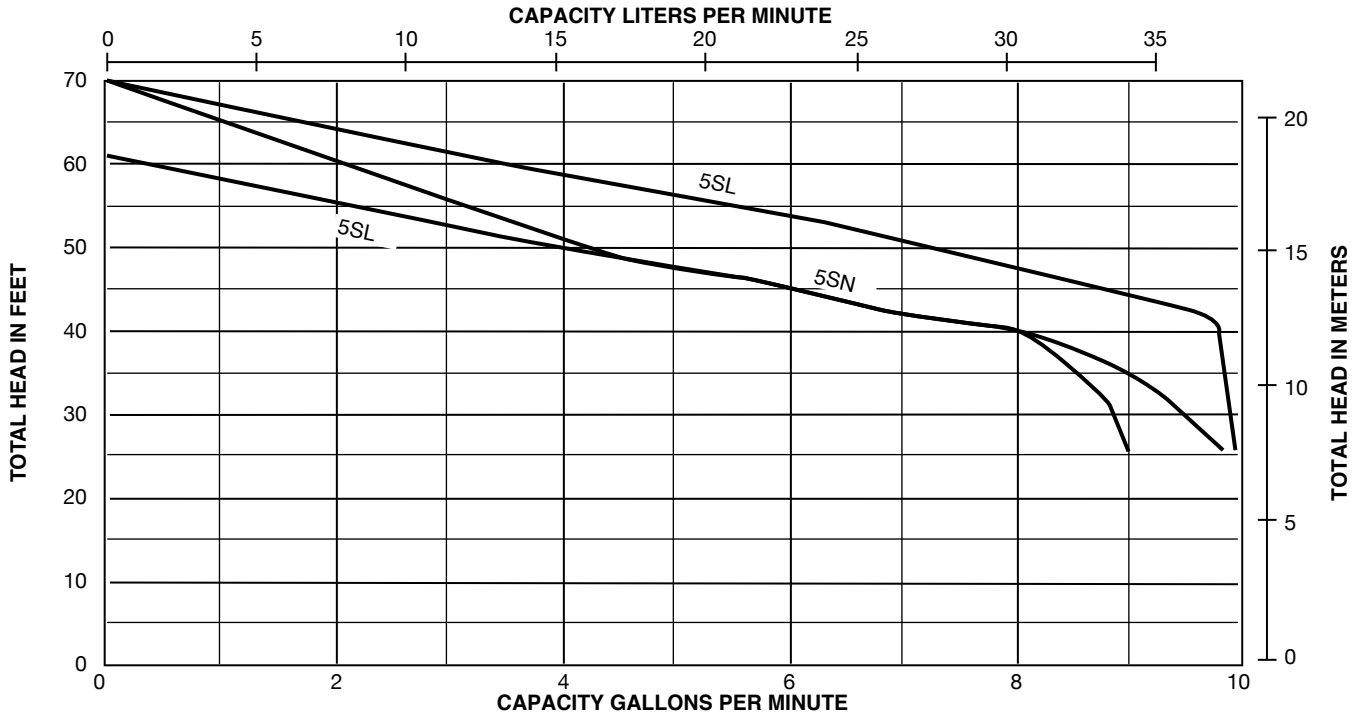
*Shallow well/deep well Jet Package included.

Pentair trademarks and logos are owned by Pentair plc or its affiliates. All other third party registered and unregistered trademarks and logos are the property of their respective owners.

PRO-SOURCE® Jet/Tank Packages

Cast Iron

PUMP PERFORMANCE



TANK DRAWDOWN (In gallons)			
TANK CATALOG NUMBER	PRESSURE SWITCH SETTING		
	20-40	30-50	40-60
PS6H-S05	2.2	1.8	1.6
PS19S-T02	6.9	5.8	5.0
PS19H-S00	6.9	5.8	5.0

SHALLOW WELL PUMP PERFORMANCE (Capacity in gallons per minute)						
CATALOG NUMBER	HP	TOTAL SUCTION LIFT	DISCHARGE PRESSURE (PSI)			SHUT-OFF PSI
			30	40	50	
5SN	1/2	5'	9.7	7.9	4.5	67
		10'	8.3	7.2	3.8	65
		15'	7.4	6.4	3.1	62
		20'	5.9	5.6	2.7	60
		25'	4.3	4.1	1.8	58

NOTE: Pump will operate at all depths shown, with pressure switch set at 30-50 PSI. Pumps installed with Pro-Source® tank require a 100 PSI relief valve.

PUMP PERFORMANCE (Capacity in gallons per minute)

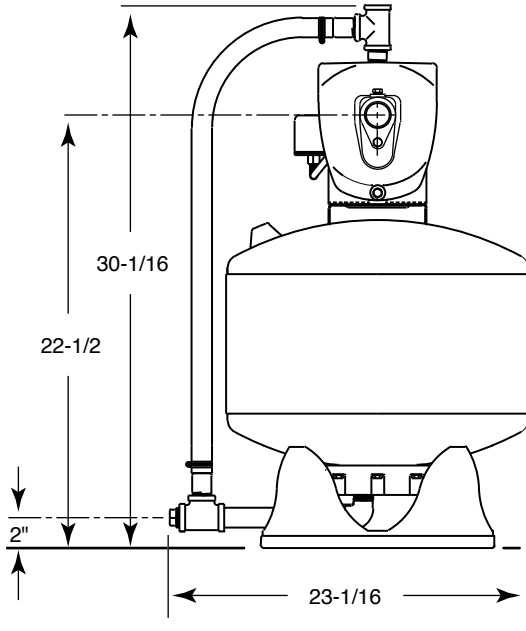
CATALOG NUMBER	HP	USE VENTURI/NOZZLE	EJECTOR PKG.*	SHALLOW WELL JET COMBINATIONS					SHUT-OFF PSI		
				TOTAL SUCTION LIFT	DISCHARGE PRESSURE (PSI)						
					30	40	50	60			
5SL	1/2	N32P-66B J34P-41	29SD	5'	9.0	7.9	4.1	-	61		
				15'	7.2	6.3	3.3	-	56		
				25'	4.7	4.1	2.1	-	52		
7SL	3/4	N32P-66B J34P-41	29SD	5'	9.9	9.8	7.3	3.5	70		
				15'	7.9	7.8	5.8	2.8	64		
				25'	5.1	5.0	3.8	1.7	59		
CATALOG NUMBER	HP	USE VENTURI/NOZZLE	EJECTOR PKG.*	DISCHARGE PRESSURE PSI	DEEP WELL JET COMBINATIONS					SHUT-OFF MIN. DEPTH	
					DISCHARGE PRESSURE (PSI)						
					30	40	50	60	70		80
5SL	1/2	J32P-24 J34P-41	4SD	30	7.3	5.8	4.5	3.3	2.3	-	68
				40	4.5	3.4	2.3	-	-	-	
7SL	3/4	J32P-24 J34P-41	4SD	30	8.9	7.3	6.4	5.0	4.0	2.5	75
				40	6.5	5.1	4.0	3.0	1.8	0.8	

PRO-SOURCE® Jet/Tank Packages

Cast Iron

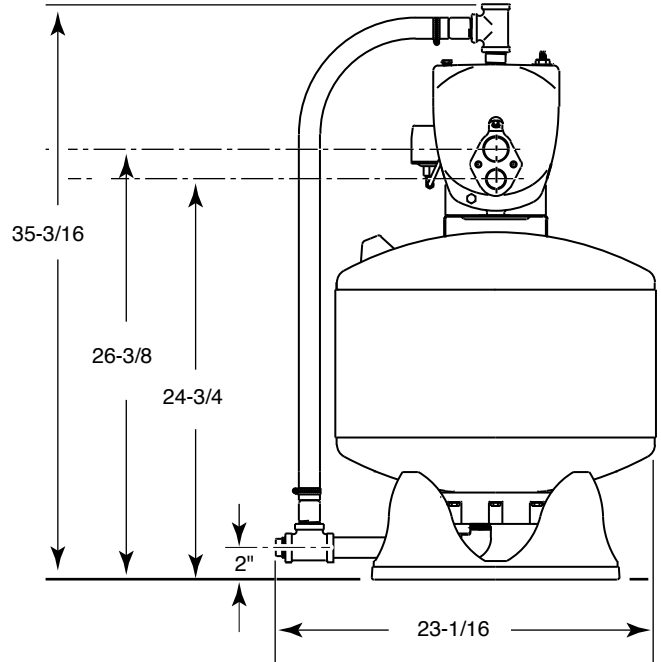
OUTLINE DIMENSIONS: SHALLOW WELL

5SNP42

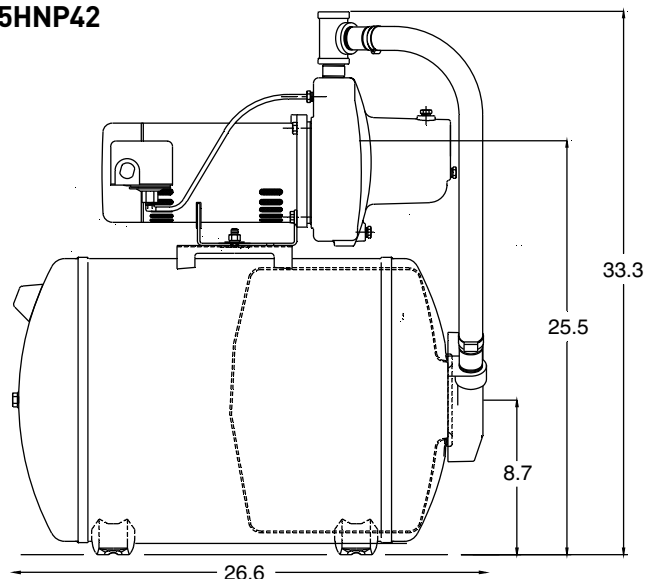


OUTLINE DIMENSIONS: DEEP WELL

5SLP42, 7SLP42



5HNP42



Dimensions (in inches) are for estimating purposes only.



US: 293 WRIGHT STREET, DELAVAN, WI 53115 WWW.BERKELEYPUMPS.COM PH: 888-782-7483 ORDERS FAX: 800-426-9446
CANADA: 490 PINEBUSH ROAD, UNIT 4, CAMBRIDGE, ONTARIO N1T 0A5 PH: 800-363-7867 ORDERS FAX: 888-606-5484
Because we are continuously improving our products and services, Pentair reserves the right to change specifications without prior notice.