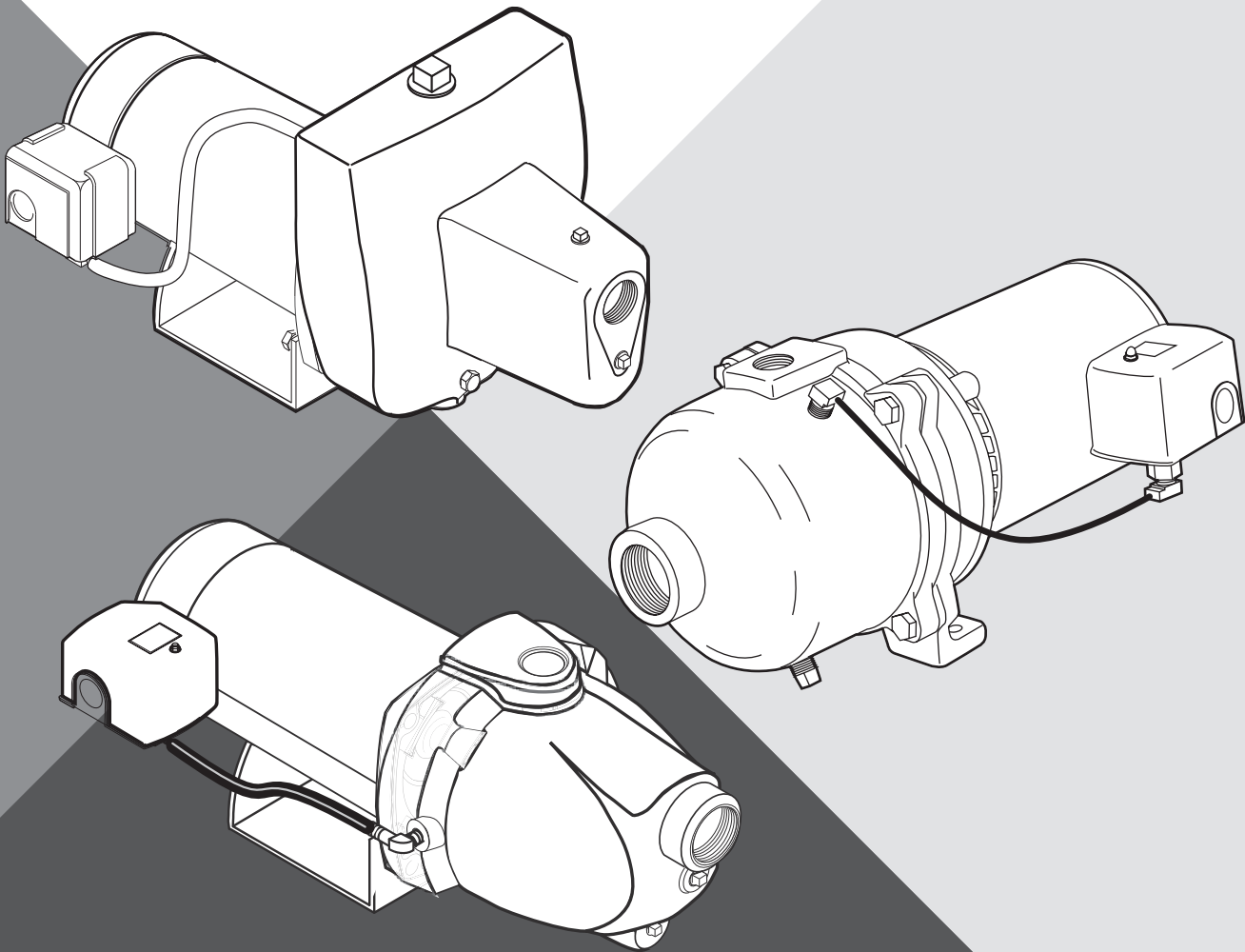


# PRO SHALLOW WELL JET PUMPS

ENGLISH: 1-28 • FRENCH: 29-56 • SPANISH: 57-84



## INSTALLATION & OPERATION MANUAL

[pentair.com](http://pentair.com)

# TABLE OF CONTENTS

---

SAFETY INFORMATION .....	3
INSTALLATION .....	4
DISCHARGE PIPE AND PRESSURE TANK CONNECTIONS .....	6
TYPICAL PRESSURE BOOSTER SYSTEM.....	7
ELECTRICAL .....	8
START THE PUMP .....	10
TROUBLESHOOTING .....	12
PARTS INDEX.....	14
WARRANTIES.....	30

THIS MANUAL COVERS THE FOLLOWING MODEL SERIES:

STA-RITE CJ, FN, HN, PN, & SN MODELS,  
MYERS HR, HJ, MFN, MPN, & QD MODELS,  
BERKELEY FN, HN, PN, SN, & SJH MODELS.

# SAFETY INFORMATION

## SAFETY SYMBOLS

**⚠** This is the safety alert symbol. When you see this symbol on your pump or in this manual, look for one of the following signal words and be alert to the potential for personal injury:

**⚠ DANGER** warns about hazards that will cause serious personal injury, death or major property damage if ignored.

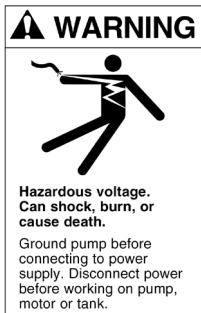
**⚠ WARNING** warns about hazards that can cause serious personal injury, death or major property damage if ignored.

**⚠ CAUTION** warns about hazards that will or can cause minor personal injury or property damage if ignored.

The word **NOTICE** indicates special instructions that are important but not related to hazards.

## CALIFORNIA PROPOSITION 65 WARNING

**⚠ WARNING** This product and related accessories contain chemicals known to the State of California to cause cancer, birth defects or other reproductive harm.



- ◆ Wire motor for correct voltage. See “Electrical” section of this manual and motor nameplate.
- ◆ Ground motor before connecting to power supply.
- ◆ Meet National Electrical Code, Canadian Electrical Code, and local codes for all wiring.
- ◆ Follow wiring instructions in this manual when connecting motor to power lines.

## GENERAL SAFETY

**⚠ CAUTION DO NOT TOUCH AN OPERATING MOTOR.** Modern motors are designed to operate at high temperatures. To avoid burns when servicing pump, allow it to cool for 20 minutes after shut-down before handling.

- ◆ **DO NOT** allow pump or any system component to freeze. To do so will void warranty.
- ◆ Pump water only with this pump.
- ◆ Periodically inspect pump and system components.
- ◆ Wear safety glasses at all times when working on pumps.
- ◆ Keep work area clean, uncluttered and properly lighted; store properly all unused tools and equipment.
- ◆ Keep visitors at a safe distance from the work areas.

**⚠ WARNING** Pump body may explode if used as a booster pump unless relief valve capable of passing full pump flow at 75 psi is installed.

## ELECTRICAL SAFETY

**⚠ WARNING CAPACITOR VOLTAGE MAY BE HAZARDOUS.** To discharge motor capacitor, hold insulated handle screwdriver **by the handle** and short capacitor terminals together. Do not touch metal screwdriver blade or capacitor terminals. If in doubt, consult a qualified electrician.



# INSTALLATION

## REPLACING AN OLD PUMP

**⚠ WARNING HAZARDOUS VOLTAGE.** Disconnect power to pump before working on pump or motor.

1. Drain and remove the old pump. Check the old pipe for scale, lime, rust, etc. Replace, if necessary.
2. Install the pump in the system. Make sure that all pipe joints in the suction pipe are air-tight and water-tight. If the suction pipe can suck air, the pump will not be able to pull water from the well.
3. Adjust the pump mounting height so that the plumbing connections do not put a strain on the pump body. Support the pipe so that the pump body does not take the weight of piping or fittings.

## WELL POINT (DRIVEN POINT) INSTALLATION

1. Drive the well, using drive couplings and a drive cap. Drive fittings are threaded all the way through and allow the pipe ends to butt against each other so that the driving force of the maul is carried by the pipe and not by the threads.

The ordinary fittings found in hardware stores are not threaded all the way through the fitting and can collapse under impact. Drive fittings are also smoother than standard plumbing fittings, making ground penetration easier.

2. Mount the pump as close to the well as possible.

3. Use the fewest possible fittings, especially elbows, when connecting the pipe from the well point to the pump suction port. The suction pipe should be at least as large as the suction port on the pump. Include a check valve if your pump is not equipped with one (Figure 1).

Support the pipe so that there are no dips or sags in the pipe, so it doesn't strain the pump body, and so that it slopes slightly upward from the well to the pump (high spots can cause air pockets which can air lock the pump).

Seal the suction pipe joints with PTFE pipe thread sealant tape. Joints must be air-tight and water-tight. If the suction pipe can suck air, the pump cannot pull water from the well. If one well point does not supply enough water, consider connecting two or three well points to one suction pipe.

4. Proceed to the Discharge Pipe and Tank Connections section.

## CASED WELL INSTALLATION, 2" OR LARGER CASING

1. Mount the pump as close to the well as possible.
2. Assemble the foot valve, strainer, and well pipe (Figure 2). Make sure that the foot valve works freely.
3. Lower the pipe into the well until the strainer is 5 feet above the bottom of the well. It should also be at least 10 feet below the well's water level while the pump is running in order to prevent the pump from sucking air. Install a sanitary well seal.

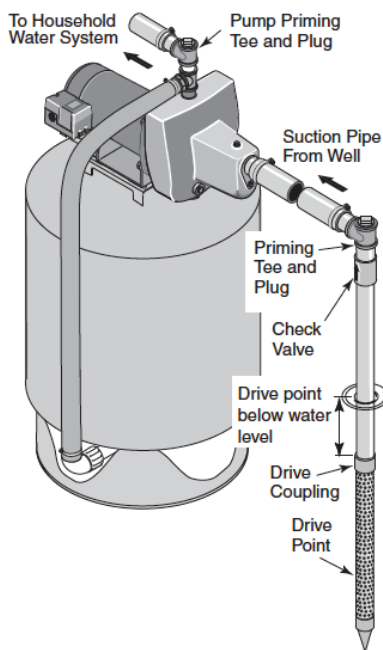


Figure 1: Driven Point Installation

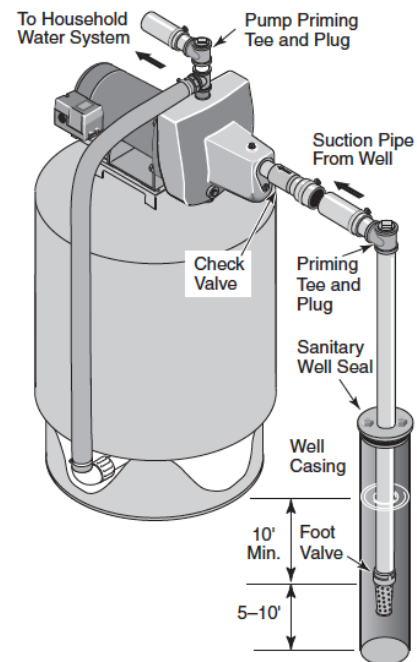


Figure 2: Cased Well Installation



# INSTALLATION

4. Install a priming tee, priming plug, and suction pipe to the pump (Figure 2). Connect the pipe from the well to the pump suction port, using the fewest possible fittings, especially elbows, as fittings increase friction in the pipe. Include a foot valve (Figure 2). The suction pipe should be at least as large as the suction port on the pump. Use PTFE pipe thread sealant tape on threaded pipe joints.

Support the pipe so that there are no dips or sags in the pipe, so it doesn't strain the pump body, and so that it slopes slightly upward from the well to the pump (high spots can cause air pockets which can air lock the pump).

Seal the suction pipe joints with PTFE pipe thread sealant tape. Joints must be air-tight and water-tight. If the suction pipe can suck air, the pump cannot pull water from the well.

5. Proceed to the Discharge Pipe and Tank Connections section.

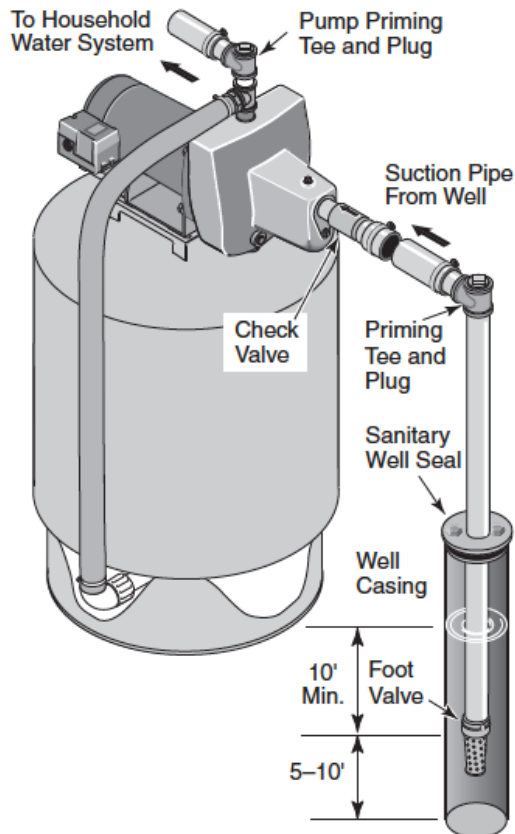


Figure 3: Surface Water Installation

## INSTALLATION FOR SURFACE WATER

1. The pump should be installed as close to the water as possible, with the fewest possible fittings (especially elbows) in the suction pipe. The suction pipe should be at least as large as the suction port on the pump.
2. Assemble a foot valve and suction pipe (Figure 3). Make sure that the foot valve works freely. Use PTFE pipe thread sealant tape on threaded pipe joints. Protect the foot valve assembly from fish, trash, etc. by installing a screen around it.
3. Lower the pipe into the water until the strainer is five feet above the bottom. It should also be at least 10 feet below the water level in order to prevent the pump from sucking air.
4. Install a priming tee, priming plug, and suction pipe to the pump (Figure 3). Support the pipe so that there are no dips or sags in the pipe, so it doesn't strain the pump body, and so that it slopes slightly upward from the well to the pump (high spots can cause air pockets which can air lock the pump).

Seal the suction pipe joints with PTFE pipe thread sealant tape. Joints must be air-tight and water-tight. If the suction pipe can suck air, the pump cannot pull water from the well.

5. Proceed to the Discharge Pipe and Tank Connections section.

# DISCHARGE PIPE AND PRESSURE TANK CONNECTIONS

## PRE-CHARGE TANK CONNECTION

1. Install two tees in the pump discharge port (Figure 4). The pipe size must be at least as large as the discharge port.
2. Run a pipe or reinforced hose from one arm of the first tee to the port on the pre-charged tank.
3. Connect the other end of the discharge tee to your plumbing system.
4. Check the pre-charge of air in the tank with an ordinary tire gauge. The pre-charge should be 2 PSI less than the cut-in setting of the pump's pressure switch. The pre-charge is measured when there is no water pressure in the tank. Your new pump has a 30/50 PSI switch, so adjust the tank pre-charge pressure to 28 PSI.
5. Proceed to the Electrical section for hookup information.

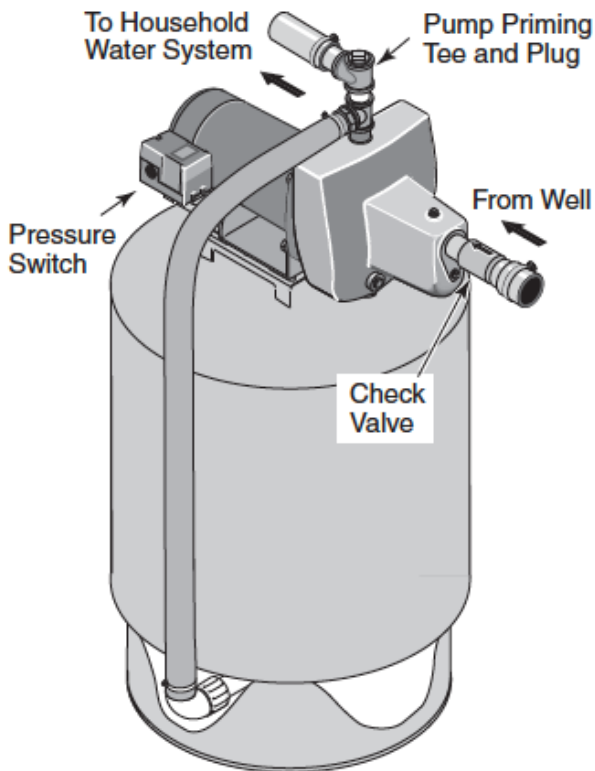


Figure 4: Pre-Charged Tank Connections

## STANDARD TANK CONNECTION

1. Install one tee in the pump discharge port (Figure 5).
2. Run a pipe from the pump discharge port to the inlet port of your tank. The pipe size must be at least as large as the discharge port.
3. Remove the 1/8" NPT pipe plug from the pump Air Volume Control (AVC) port. Run tubing from the pump's AVC port to the port on the AVC mounted on the tank. See instructions provided with tank and AVC for details. AVC port location will vary, depending on your pump model (Refer to Parts Index).
4. Proceed to the Electrical section for hookup information.

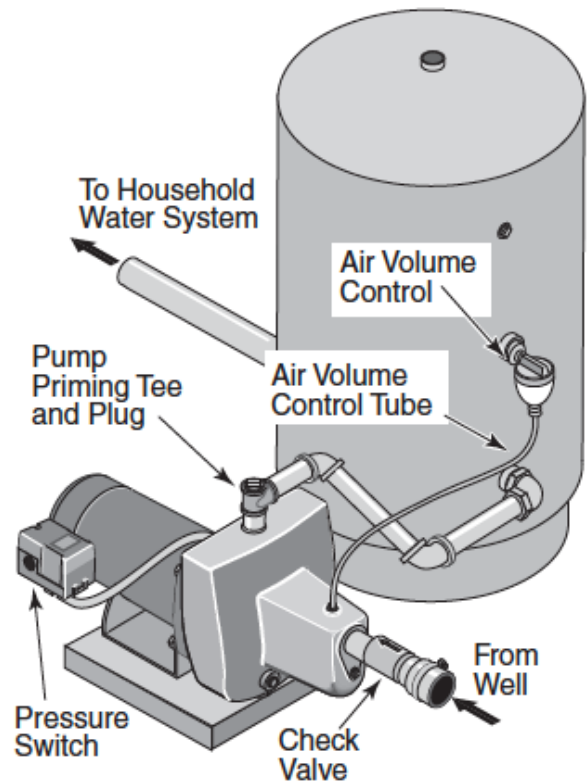


Figure 5: Standard Tank Connections

## SEALING PIPE JOINTS

Use only PTFE pipe thread sealant tape for making all threaded connections to the pump itself. **Do not use pipe joint compounds on plastic pumps** as they can react with the plastic in pump components. Make sure that all pipe joints in the suction pipe are air tight as well as water tight. If the suction pipe can suck air, the pump will not be able to pull water from the well.

# TYPICAL PRESSURE BOOSTER SYSTEM

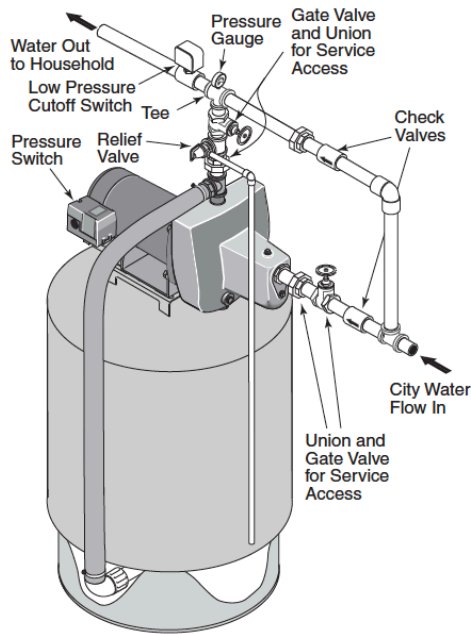


Figure 6: Model SNCP42

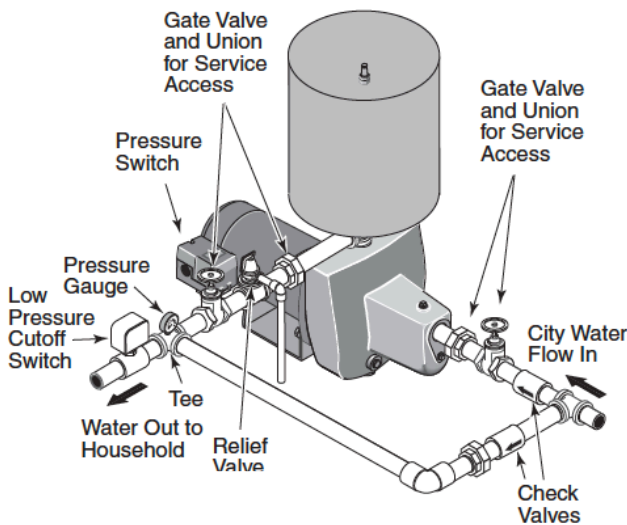


Figure 7: Model SNCP15

### USER SUPPLIED COMPONENTS

Low Pressure Cutoff Switch (1)	Pressure Gauge (1)
Check Valves (2)	Unions (3)
Gate Valves (2)	Elbow (1)
Relief Valve (1)	Tees (2)
	Piping

## INSTALLATION

**⚠ WARNING HAZARDOUS PRESSURE.** Install a relief valve as shown capable of passing entire pump flow at 75 PSI. Pump body may explode if internal pressure exceeds 75 PSI.

**⚠ WARNING NEVER RUN PUMP AGAINST CLOSED DISCHARGE.** To do so can boil water inside pump, causing hazardous pressure in unit, risk of explosion and possibly scalding persons handling pump.

- ◆ The incoming flow rate must equal or exceed the minimum pump flow requirement of 6 Gallons per Minute or the pump will fail. As a rule, the pump will not increase the flow rate in the system.
- ◆ A low pressure safety cutoff switch is recommended to shut off power to the pump in case of low discharge pressure caused by plugged nozzle, interruption to the incoming water supply, etc.
- ◆ For pressure switch adjustment instructions, refer to the label inside the cover of the pressure switch.
- ◆ The system can be located indoors or outdoors. Make sure that the site is level, solid, well drained, and protected from the weather and from freezing.

1. Turn off city water to house.
2. Install pipe as shown (Figures 6 & 7). Be sure to include unions and stop valves so pressure booster unit can be removed for service without interrupting household water supply.  
  
A spring loaded check valve ahead of the booster system and a low pressure cutoff switch after it are recommended. You may wish to replace the standard pressure switch with a pressure switch that includes a low pressure cutoff.
3. Use PTFE pipe thread sealant tape on all piping joints to prevent leaks.
4. Proceed to the Electrical section for hookup information.

TABLE I: PRESSURE SWITCH SETTING FOR BOOSTER SYSTEM

IF MINIMUM INCOMING SYSTEM PRESSURE IS	USE PRESSURE SWITCH RATED AT	SET TANK PRECHARGE AT
Below 20 PSI	20/40; set cut-in to 20 PSI	18 PSI
20- 30 PSI	30/50; set cut-in to 30 PSI	28 PSI
30- 40 PSI	40/60; set cut-in to 40 PSI	38 PSI

## MOTOR SWITCH SETTINGS

**⚠ DISCONNECT POWER BEFORE WORKING ON PUMP, MOTOR, PRESSURE SWITCH, OR WIRING.**

- ◆ Dual-voltage motors (motors that can operate at either 115 or 230 volts), are set at the factory to 230 volts. Do not change motor voltage setting if line voltage is 230 volts, or if you have a single voltage motor.
- ◆ Never wire a 115 volt motor to a 230 volt line.
- ◆ Wire TEFC motors according to wiring diagram in junction box on motor. Be sure motor is connected for correct line voltage.
- ◆ Wire 3-Phase motors according to wiring diagram on motor. Be sure motor is connected for correct line voltage.

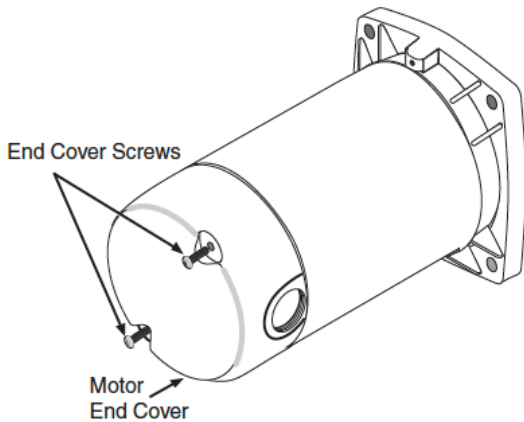


Figure 8: Removing End Cover

## DIAL TYPE VOLTAGE SELECTOR

If you have a dual-voltage motor, and will connect it to 115 volts, follow the procedure below.

**⚠ WARNING HAZARDOUS VOLTAGE.** Can shock, burn, or kill. Connect ground wire before connecting power supply wires. Use the wire size (including the ground wire) specified in the wiring chart. If possible, connect the pump to a separate branch circuit with no other appliances on it.

1. Make sure power is off.
2. Remove the motor end cover to change the voltage setting (Figure 8).
3. Turn the dial counter-clockwise until 115 shows in the dial window.
4. Attach the power lead wires to the power lead terminals. Make sure the wires are secure.
5. Attach the ground wire to the green ground screw.
6. Reinstall the Motor end cover. Go to Wiring Connections below.

**⚠ WARNING EXPLOSION HAZARD.** Do not ground to a gas supply line.

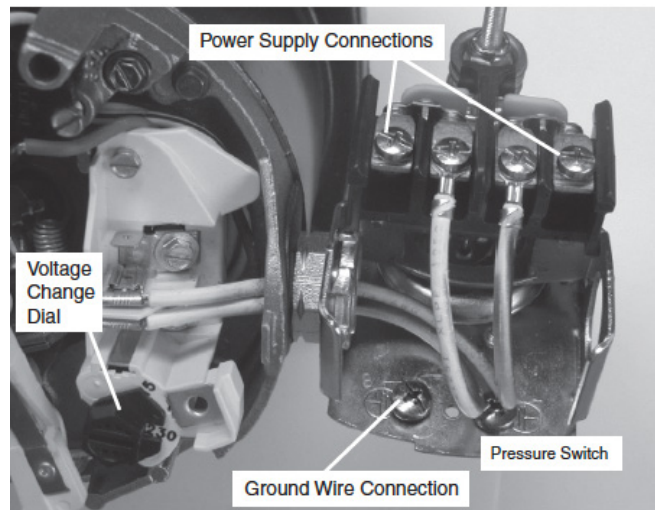


Figure 9: Voltage Adjustment Dial

# ELECTRICAL

## WIRING CONNECTIONS

**⚠ WARNING FIRE HAZARD.** Incorrect voltage can cause a fire or seriously damage the motor and voids the warranty. The supply voltage must be within  $\pm 10\%$  of the motor nameplate voltage.

- ◆ Dual-voltage motors are factory wired for 230 volts. If necessary, reconnect the motor for 115 volts, as shown. Do not alter the wiring in single voltage motors.
- ◆ Install, ground, wire, and maintain your pump in compliance with the United States National Electrical Code (NEC) or the Canadian Electrical Code (CEC), as applicable, and with all local codes and ordinances that apply. Consult your local building inspector for code information.

## CONNECTION PROCEDURE

1. Connect the ground wire first (Figure 9). The ground wire must be a solid copper wire at least as large as the power supply wires.
2. There must be a solid metal connection between the pressure switch and the motor for motor grounding protection. If the pressure switch is not connected to the motor, connect the green ground screw in the switch to the green ground screw under the motor end cover. Use a solid copper wire at least as large as the power supply wires.
3. Connect the ground wire to a grounded lead in a service panel, to a metal underground water pipe, to a metal well casing at least ten feet (3M) long, or to a ground electrode provided by the power company or the hydro authority.
4. Connect the power supply wires to the pressure switch as shown in Figure 9.

## WIRING CHART – RECOMMENDED WIRE AND FUSE SIZES

### SN, FN, PN, HR SERIES

MOTOR HP	VOLTS	MAX. LOAD AMP	BRANCH FUSE RATING AMP	DISTANCE IN FEET (METERS) FROM MOTOR TO SUPPLY			
				0-100 (0-30)	101-200 (31-61)	201-300 (62-91)	301-400 (92-122)
				AWG WIRE SIZE (MM <sup>2</sup> )			
1/2	115/230	8.5/4.3	15/15	14/14 (2/2)	12/14 (3/2)	10/14 (5.5/2)	8/14 (8.4/2)
3/4	115/230	11.4/5.7	20/15	14/14 (2/2)	10/14 (5.5/2)	8/14 (8.4/2)	6/12 (14/3)
1	115/230	12.2/6.1	25/15	12/14 (3/2)	8/14 (8.4/2)	8/14 (8.4/2)	6/12 (14/3)
1-1/2	115/230	18.4/9.2	30/20	10/14 (5.5/2)	8/14 (8.4/2)	6/12 (14/3)	4/10 (21/5.5)

### HN SERIES

MOTOR HP	VOLTS	MAX. LOAD AMP	BRANCH FUSE RATING AMP	DISTANCE IN FEET (METERS) FROM MOTOR TO SUPPLY			
				0-100 (0-30)	101-200 (31-61)	201-300 (62-91)	301-400 (92-122)
				AWG WIRE SIZE (MM <sup>2</sup> )			
1/2	115/230	11.4/5.7	20/15	14/14 (2/2)	10/14 (5.5/2)	8/14 (8.4/2)	6/12 (14/3)
3/4	115/230	12.2/6.1	25/15	12/14 (3/2)	8/14 (8.4/2)	8/14 (8.4/2)	6/12 (14/3)
1	115/230	18.4/9.2	30/20	10/14 (5.5/2)	8/14 (8.4/2)	6/12 (14/3)	4/10 (21/5.5)

# ELECTRICAL

## WIRING CHART – RECOMMENDED WIRE AND FUSE SIZES

### CJ SERIES

HORSEPOWER	VOLTS	MAX. LOAD AMP	BRANCH FUSE RATING AMP	DISTANCE IN FEET(METERS) FROM MOTOR TO SUPPLY			
				0-100 (0-30)	101-200 (31-61)	201-300 (62-91)	301-400 (92-122)
				AWG WIRE SIZE (MM <sup>2</sup> )			
1	115/230	14.8/7.4	20/15	12/14 (3/2)	8/14 (8.4/2)	6/14 (14/2)	6/12 (14/3)
1-1/2	115/230	19.2/9.6	25/15	10/14 (5.5/2)	8/14 (8.4/2)	6/12 (14/3)	4/10 (21/5.5)

### SJH SERIES

HORSEPOWER	VOLTS	MAX. LOAD AMP	BRANCH FUSE RATING AMP	DISTANCE IN FEET(METERS) FROM MOTOR TO SUPPLY			
				0-100 (0-30)	101-200 (31-61)	201-300 (62-91)	301-400 (92-122)
				AWG WIRE SIZE (MM <sup>2</sup> )			
3/4	115/230	14.8/7.4	20/15	12/14 (3/2)	8/14 (8.4/2)	6/14 (14/2)	6/12 (14/3)
1	115/230	19.2/9.6	25/15	10/14 (5.5/2)	8/14 (8.4/2)	6/12 (14/3)	4/10 (21/5.5)

### HJ SERIES

HORSEPOWER	VOLTS	MAX. LOAD AMP	BRANCH FUSE RATING AMP	DISTANCE IN FEET(METERS) FROM MOTOR TO SUPPLY			
				0-100 (0-30)	101-200 (31-61)	201-300 (62-91)	301-400 (92-122)
				AWG WIRE SIZE (MM <sup>2</sup> )			
1/2	115/230	11.2/5.6	20/15	12/14 (3/2)	10/14 (5.5/2)	8/14 (8.4/2)	6/12 (14/3)
3/4	115/230	14.8/7.4	20/15	12/14 (3/2)	8/14 (8.4/2)	6/14 (14/2)	6/12 (14/3)
1	115/230	18.6/9.3	25/15	10/14 (5.5/2)	8/14 (8.4/2)	6/12 (14/3)	4/10 (21/5.5)

### QD SERIES

HORSEPOWER	VOLTS	MAX. LOAD AMP	BRANCH FUSE RATING AMP	DISTANCE IN FEET(METERS) FROM MOTOR TO SUPPLY			
				0-100 (0-30)	101-200 (31-61)	201-300 (62-91)	301-400 (92-122)
				AWG WIRE SIZE (MM <sup>2</sup> )			
1/2	115/230	8.4/4.2	15/15	14/14 (2/2)	12/14 (3/2)	10/14 (5.5/2)	8/14 (8.4/2)
3/4	115/230	10.5/5.7	20/15	14/14 (2/2)	10/14 (5.5/2)	8/14 (8.4/2)	6/12 (14/3)
1	115/230	12.6/6.3	25/15	12/14 (3/2)	8/14 (8.4/2)	8/14 (8.4/2)	6/12 (14/3)

# START THE PUMP

## PREPARING TO START THE PUMP

**⚠ CAUTION NEVER RUN PUMP DRY.** Running pump without water may cause pump to overheat, damaging seal and possibly causing burns to persons handling pump. Fill pump with water before starting.

**⚠ WARNING NEVER RUN PUMP AGAINST CLOSED DISCHARGE.** To do so can boil water inside pump, causing hazardous pressure in unit, risk of explosion and possibly scalding persons handling pump.

1. Remove the priming plug from the priming tee and fill the pump. Fill all piping between the pump and the well and make sure that all piping in the well is full. If you have also installed a priming tee in the suction piping, remove the plug from the tee and fill the suction piping.
2. Replace all fill plugs.
3. Power on. Start the pump. If you don't have water after 2 or 3 minutes, stop the pump and remove the fill plugs.

Refill the pump and piping. You may have to repeat this several times in order to get all the trapped air out of the piping. A pump lifting water 25' may take as long as 15 minutes to prime.

4. After the pump has built up pressure in the system and shut off, check the pressure switch operation by opening a faucet or two and running enough water out to bleed off pressure until the pump starts. The pump should start when pressure drops to 30 PSI and stop when pressure reaches 50 PSI.
5. Run the pump through one or two complete cycles to verify correct operation. This will also help clean the system of dirt and scale dislodged during installation.

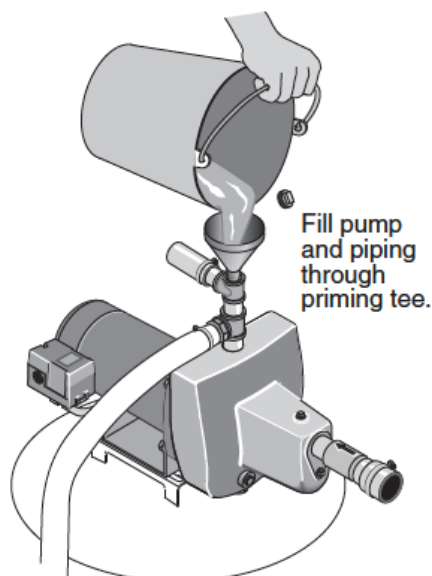


Figure 10: Priming The Pump

## NOZZLE CLEAN OUT (LOW PRESSURE)

Use an icepick or bradawl to clean out the nozzle - 3/16" maximum diameter (Figure 11). **DO NOT** enlarge the hole in the nozzle. Use PTFE pipe thread sealant tape on plug when reassembling to seal it.

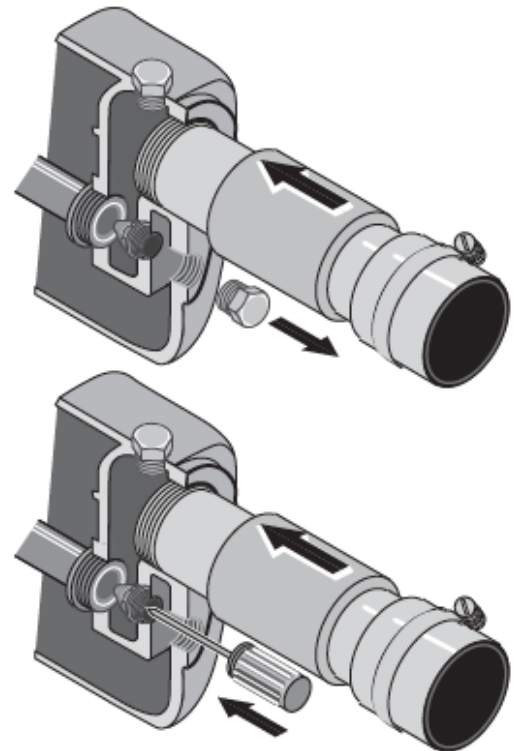


Figure 11: Clean Out Nozzle

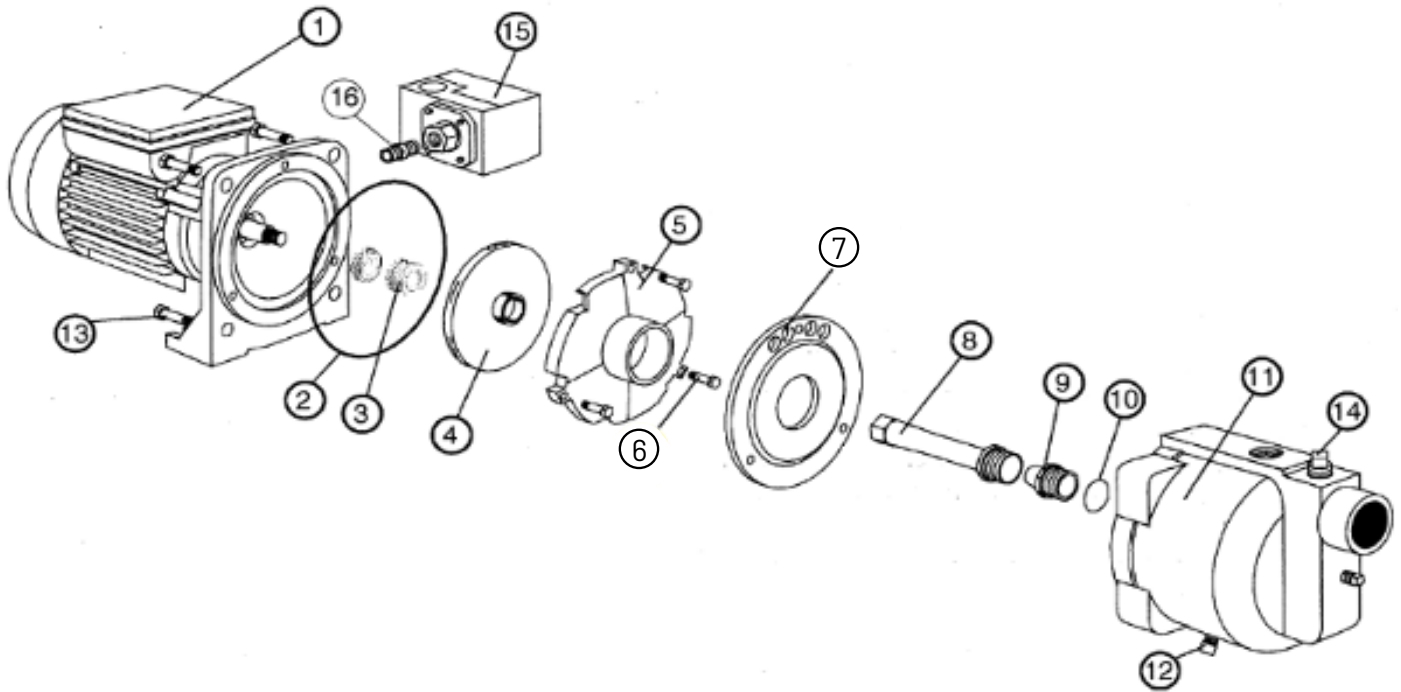


# TROUBLESHOOTING

SYMPTOM	POSSIBLE CAUSE(S)	CORRECTIVE ACTION
Motor will not run	<p>Disconnect switch is off Fuse is blown or circuit breaker tripped Starting switch is defective Wires at motor are loose, disconnected, or wired incorrectly Pressure switch contacts are dirty</p>	<p>Be sure switch is on. Replace fuse or reset circuit breaker. DISCONNECT POWER; Replace starting switch. Refer to instructions on wiring (Page 8). DISCONNECT POWER; check and tighten all wiring.</p> <p><b>⚠ WARNING</b> Capacitor voltage may be hazardous. To discharge capacitor, hold insulated handle screwdriver BY THE HANDLE and short capacitor terminals together. Do not touch metal screwdriver blade or capacitor terminals. If in doubt, consult a qualified electrician.</p> <p>DISCONNECT POWER and file contacts with emery board or nail file.</p>
Motor runs hot and overload kicks off	<p>Motor is wired incorrectly Voltage is too low Pump cycles too frequently</p>	<p>Refer to instructions on wiring. Check with power company. Install heavier wiring if wire size is too small (See Electrical / Wiring Chart). See section below on too frequent cycling.</p>
<p>Motor runs but no water is delivered*</p> <p>* (Notice: Stop pump; then check prime before looking for other causes. Unscrew priming plug and see if water is in priming hole).</p>	<p>Pump in new installation did not pick up prime through:</p> <ol style="list-style-type: none"> <li>Improper priming priming</li> <li>Air leaks</li> <li>Leaking foot valve or check valve</li> </ol> <p>Pump has lost prime through:</p> <ol style="list-style-type: none"> <li>Air leaks</li> <li>Water level below suction pipe inlet</li> </ol> <p>Foot valve or strainer is plugged Ejector or impeller is plugged Check valve or foot valve is stuck shut Pipes are frozen Foot valve and/or strainer are buried in sand or mud Water level is too low for shallow well setup to deliver water</p>	<p>In new installation:</p> <ol style="list-style-type: none"> <li>Re-prime according to instructions.</li> <li>Check all connections on suction line, AVC, and ejector with soapy water or shaving cream.</li> <li>Replace foot valve or check valve.</li> </ol> <p>In installation already in use:</p> <ol style="list-style-type: none"> <li>Check all connections on suction line and shaft seal.</li> <li>Lower suction line into water and re-prime. If receding water level in well exceeds 25' (7.6M), a deep well pump is needed.</li> </ol> <p>Clean foot valve or strainer. Clean ejector or impeller. Replace check valve or foot valve. Thaw pipes. Bury pipes below frost line. Heat pit or pump house. Raise foot valve and/or strainer above bottom of water source. Clean foot valve and strainer. A deep well jet package may be needed (over 25 ft. to water) to deliver water.</p>
Pump does not deliver water to full capacity	<p>Water level in well is lower than estimated Steel piping (if used) is corroded or limed causing excess friction Piping is too small in size Packed well point</p>	<p>A deep well jet will be needed if your well is more than 25' (7.6M) depth to water. Replace with plastic pipe where possible, otherwise with new steel pipe. Use larger piping. Backflush well point or sink new point.</p>
Pump delivers water but does not shut off or pump cycles too frequently	<p>Pressure switch is out of adjustment or contacts are welded together Faucets have been left open Venturi, nozzle or impeller is clogged Standard pressure tank is waterlogged and has no air cushion Pipes leak Foot valves leak Air charge too low in pre-charged tank</p>	<p>DISCONNECT POWER; adjust or replace pressure switch. Close faucets. Clean venturi, nozzle or impeller. Drain tank to air volume control port. Check AVC for defects. Check all connections for air leaks. Check connections. Replace foot valve.</p> <p>DISCONNECT POWER and open faucets until all pressure is relieved. Using tire pressure gauge, check air pressure in tank at valve stem located on the tank. If less than pressure switch cut-in setting (30-50 PSI), pump air into tank from outside source until air pressure is 2 PSI less than cut-in setting of switch. Check air valve for leaks (use soapy solution) and replace core if necessary.</p>
Air spurts from faucets	<p>Pump is picking up prime Leak in suction side of pump Well is gaseous Intermittent over-pumping of well. (Water drawn down below foot valve.)</p>	<p>When pump has picked up prime, it should pump solid water with no air. Suction pipe is sucking air. Check joints for leaks with soapy water. Consult factory about installing a sleeve in the well Lower foot valve if possible, otherwise restrict pump discharge</p>



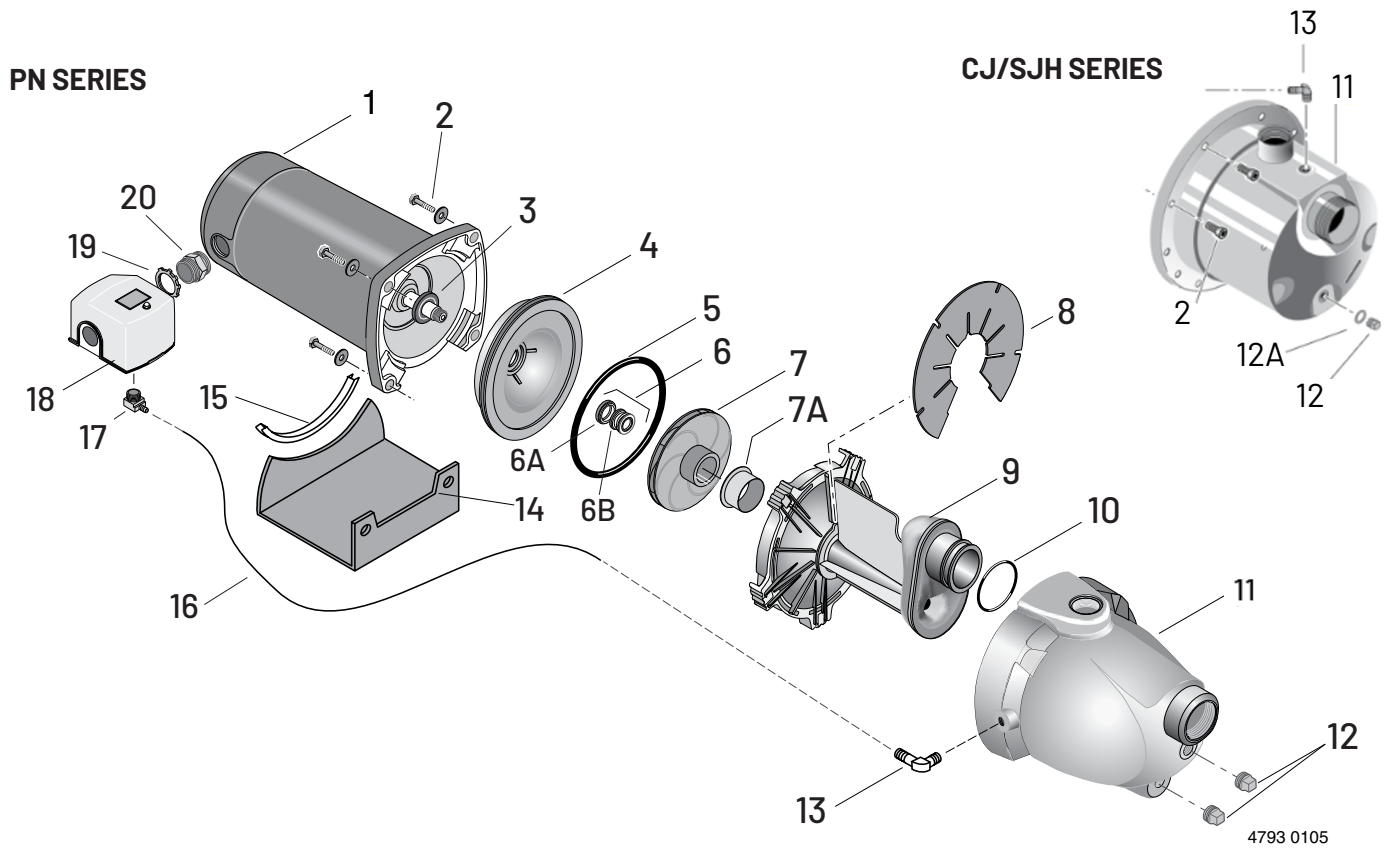
# PARTS INDEX - QD SERIES



## MYERS MODELS

KEY NO.	PART DESCRIPTION	QTY. USED	QD50S	QD75S	QD100S
			1/2 HP	3/4 HP	1 HP
1	Motor with Seal Plate	1	26635D022K	26636D022	26637D022
2	Seal Plate Gasket	1	05014A157	05014A157	05014A157
3	Shaft Seal	1	14525A000K	14525A000K	14525A000K
4	Impeller - Plastic	1	16622B010	19196B014	19196B014
4	Impeller - Brass	1	17682B003K	-	-
5	Diffuser	1	12371B060	14379B001	14379B001
6	Diffuser Screws	3	19099A014	19099A014	19099A014
7	Priming Baffle	1	13069B500	13069B501	13069B501
8	Venturi	1	26538A500	26538A560	26538A650
9	Nozzle	1	08546A358	08546A290	08546A290
10	Nozzle O-Ring	1	05876A003	05876A003	05876A003
11	Pump Body	1	18622D550	18622D550	18622D550
12	Drain Plug - 1/4" Hex Hd.	2	05022A092	05022A092	05022A092
13	Hex Screw - 3/8" - 16 x 1" Lg.	4	19101A009	19101A009	19101A009
14	Pipe Plug, 1/2" NPT	1	05022A039	05022A039	05022A039
15	Pressure Switch	1	U217-1218	U217-1218	U217-1218
16	Barbed Elbow - 90° - 1/4" NPT	1	27083A000	27083A000	27083A000

# PARTS INDEX - PN & CJ/SJH SERIES



§ Common hardware, purchase locally.

# PARTS INDEX - PN & CJ/SJH SERIES

## STA-RITE MODELS

KEY NO	PART DESCRIPTION	QTY	PNC-10	PND-10	PNE-10	CJ90E	CJ90F
			1/2 HP	3/4 HP	1 HP	1 HP	1-1/2 HP
1	Motor	1	J218-1651	J218-1652	J218-1653	J218-1006	J218-1007
2	Hex Capscrew - 3/8" - 16 x 2" Lg.	4	U30-78ZP	U30-78ZP	U30-78ZP	-	-
2	** Hex Screw - 3/8" - 16 x 1"	2	-	-	-	U30-74SS	U30-74SS
2	Screw, Socket Head	8	-	-	-	121P0310	121P0310
*	Nut - M6-X1 SS	8	-	-	-	U36-207SS	U36-207SS
3	Water Slinger	1	17351-0009	17351-0009	17351-0009	C69-7	C69-7
4	Seal Plate	1	N3-15P	N3-15P	N3-15P	784S0070	784S0070
5	Seal Plate Gasket	1	U9-390	U9-390	U9-390	111P0490	111P0490
6	Shaft Seal	1	U109-6B	U109-6B	U109-6B	-	-
6A	Shaft Seal Stationary Face	1	-	-	-	111P0510	111P0510
6B	Shaft Seal Rotating Face	1	-	-	-	111P0500	111P0500
7	Impeller	1	J105-40PNB	J105-42PNB	J105-22PB	101P1720	101P1730
7A	Floating Wear Ring	1	N23-12SS	N23-12SS	N23-12SS	-	-
8	Priming Baffle	1	U97-153P	U97-153P	U97-153P	-	-
9	Diffuser/Venturi/Nozzle Assembly	1	N101-30PA	N101-30P	N101-29P	101P2900	101P2900
10	Nozzle O-Ring	1	U9-449	U9-449	U9-449	111P1100	111P1100
11	Pump Body - Assembly	1	N76-46P	N76-46P	N76-46P	723S0850	723S0850
12	Pipe Plug - 1/4"	( )	WC78-40T (2)	WC78-40T (2)	WC78-40T (2)	-	-
12	Pipe Plug - SS	( )	-	-	-	121P6090 (1)	121P6090 (1)
12A	Pipe Plug Washer	1	-	-	-	111P0990	111P0990
13	Barbed Elbow - 90° - 1/4" NPT	1	U111-212T	U111-212T	U111-212T	-	-
13	Compression Elbow - 90°	1	-	-	-	171P4750	171P4750
14	Base	1	J104-9F	J104-9F	J104-9F	C4-42P	C4-42P
15	Rubber Pad	1	C35-5S	C35-5S	C35-5S	-	-
16	Tube 1/4" I.D.	1	U37-670P	U37-669P	U37-669P	U37-671P	U37-673P
17	Barbed Elbow - 90° - 1/4" NPT	1	-	-	-	U111-212T	-
18	Pressure Switch	1	U217-1202	U217-1202	U217-1202	U217-1217	U217-1204
19	Locknut - 1/2"	1	U36-112ZP	U36-112ZP	U36-112ZP	U36-112ZP	U36-112ZP
20	Connector	1	L43-5C	L43-5C	L43-5C	L43-5C	L43-5C
Seal Kit			PP1530	PP1530	PP1530	-	-
(Includes 3, 5, and 6)							

\* Not pictured

\*\* Two slots connecting motor to base only

# PARTS INDEX - PN & CJ/SJH SERIES

## BERKELEY MODELS

KEY NO	PART DESCRIPTION	QTY	5PN-10	7PN-10	10PN-10	07SJH11C	10SJH11C
			1/2 HP	3/4 HP	1 HP	3/4 HP	1 HP
1	Motor	1	J218-1651	J218-1652	J218-1653	J218-1006	J218-1007
2	Hex Capscrew - 3/8" - 16 x 2" Lg.	4	U30-78ZP	U30-78ZP	U30-78ZP	-	-
2	** Hex Screw - 3/8" - 16 x 1"	2	-	-	-	U30-74SS	U30-74SS
2	Screw, Socket Head	8	-	-	-	121P0310	121P0310
*	Nut - M6-X1SS	8	-	-	-	U36-207SS	U36-207SS
3	Water Slinger	1	17351-0009	17351-0009	17351-0009	C69-7	C69-7
4	Seal Plate	1	N3-15P	N3-15P	N3-15P	784S0070	784S0070
5	Seal Plate Gasket	1	U9-390	U9-390	U9-390	111P0490	111P0490
6	Shaft Seal	1	U109-6B	U109-6B	U109-6B	-	-
6A	Shaft Seal Stationary Face	1	-	-	-	111P0510	111P0510
6B	Shaft Seal Rotating Face	1	-	-	-	111P0500	111P0500
7	Impeller	1	J105-40PNB	J105-42PNB	J105-22PB	101P1720	101P1730
7A	Floating Wear Ring	1	N23-12SS	N23-12SS	N23-12SS	-	-
8	Priming Baffle	1	U97-153P	U97-153P	U97-153P	-	-
9	Diffuser/Venturi/Nozzle Assembly	1	N101-30PA	N101-30P	N101-29P	101P2900	101P2900
10	Nozzle O-Ring	1	U9-449	U9-449	U9-449	111P1100	111P1100
11	Pump Body - Assembly	1	N76-46P	N76-46P	N76-46P	723S0850	723S0850
12	Pipe Plug - 1/4"	( )	WC78-40T (2)	WC78-40T (2)	WC78-40T (2)	-	-
12	Pipe Plug - SS	( )	-	-	-	121P6090 (1)	121P6090 (1)
12A	Pipe Plug Washer	1	-	-	-	111P0990	111P0990
13	Barbed Elbow - 90° - 1/4" NPT	1	U111-212T	U111-212T	U111-212T	-	-
13	Compression Elbow - 90°	1	-	-	-	171P4750	171P4750
14	Base	1	J104-9F	J104-9F	J104-9F	C4-42P	C4-42P
15	Rubber Pad	1	C35-5S	C35-5S	C35-5S	-	-
16	Tube 1/4" I.D.	1	U37-670P	U37-669P	U37-669P	U37-671P	U37-673P
17	Barbed Elbow - 90° - 1/4" NPT	1	-	-	-	U111-212T	U111-212T
18	Pressure Switch	1	U217-1202	U217-1202	U217-1202	U217-1217	U217-1217
19	Locknut - 1/2"	1	U36-112ZP	U36-112ZP	U36-112ZP	U36-112ZP	U36-112ZP
20	Connector	1	L43-5C	L43-5C	L43-5C	L43-5C	L43-5C
Seal Kit			PP1530	PP1530	PP1530	-	-
(Includes 3, 5, and 6)							

\* Not pictured

\*\* Two slots connecting motor to base only

# PARTS INDEX - PN & CJ/SJH SERIES

## MYERS MODELS

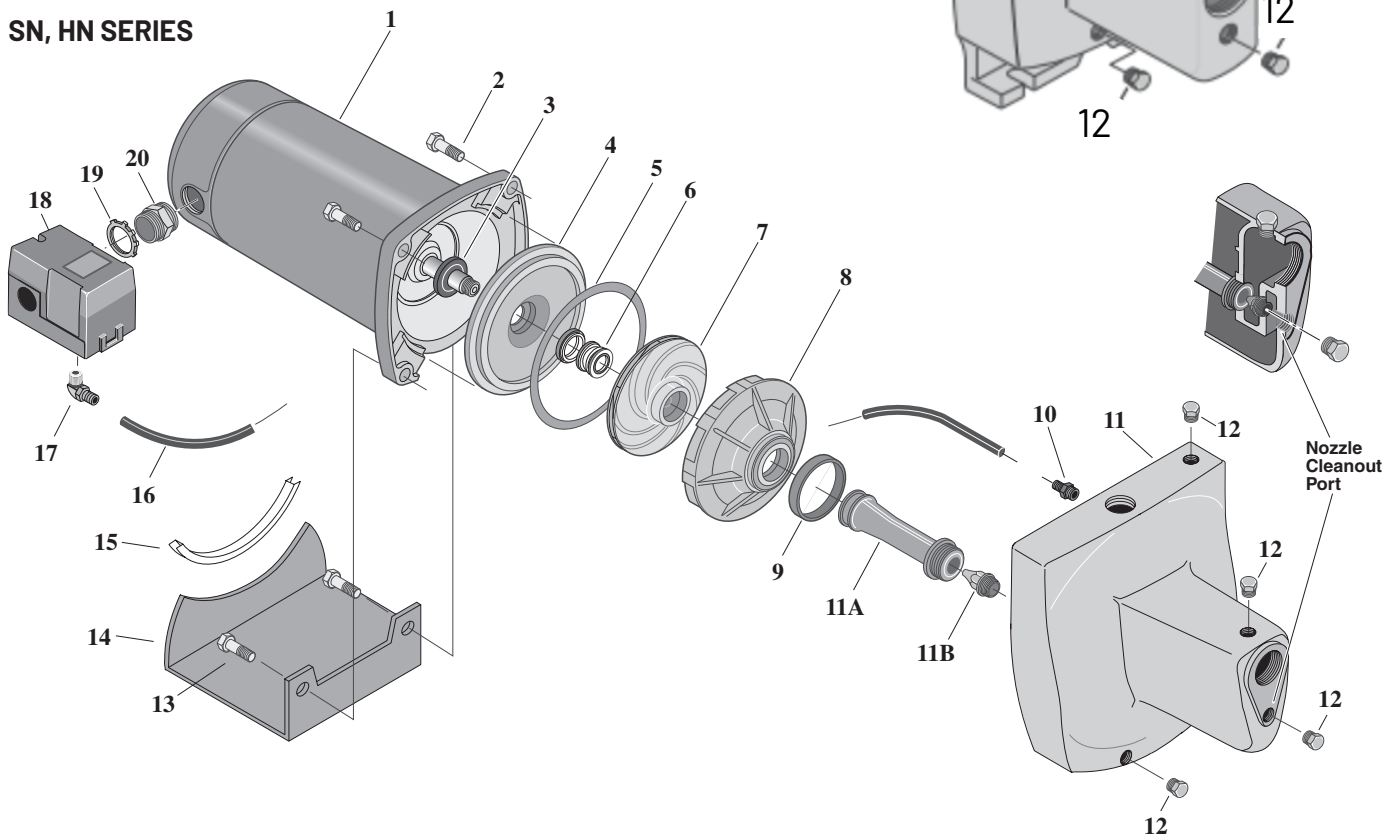
KEY NO	PART DESCRIPTION	QTY	MPNC-10	MPND-10	MPNE-10
			1/2 HP	3/4 HP	1HP
1	Motor	1	J218-1651	J218-1652	J218-1653
2	Hex Capscrew - 3/8" - 16 x 2" Lg.	4	U30-78ZP	U30-78ZP	U30-78ZP
2	** Hex Screw - 3/8" - 16 x 1" Lg.	-	-	-	-
2	Screw, Socket Head	-	-	-	-
*	Nut - M6-X1 SS	-	-	-	-
3	Water Slinger	1	17351-0009	17351-0009	17351-0009
4	Seal Plate	1	N3-15P	N3-15P	N3-15P
5	Seal Plate Gasket	1	U9-390	U9-390	U9-390
6	Shaft Seal	1	U109-6B	U109-6B	U109-6B
6A	Shaft Seal Stationary Face	-	-	-	-
6B	Shaft Seal Rotating Face	-	-	-	-
7	Impeller	1	J105-40PNB	J105-42PNB	J105-22PB
7A	Floating Wear Ring	1	N23-12SS	N23-12SS	N23-12SS
8	Priming Baffle	1	U97-153P	U97-153P	U97-153P
9	Diffuser/Venturi/Nozzle Assembly	1	N101-30PA	N101-30P	N101-29P
10	Nozzle O-Ring	1	U9-449	U9-449	U9-449
11	Pump Body - Assembly	1	N76-46P	N76-46P	N76-46P
12	Pipe Plug - 1/4"	( )	WC78-40T (2)	WC78-40T (2)	WC78-40T (2)
12	Pipe Plug - SS	-	-	-	-
12A	Pipe Plug Washer	-	-	-	-
13	Barbed Elbow - 90° - 1/4" NPT	1	U111-212T	U111-212T	U111-212T
13	Compression Elbow - 90°	-	-	-	-
14	Base	1	J104-9F	J104-9F	J104-9F
15	Rubber Pad	1	C35-5S	C35-5S	C35-5S
16	Tube 1/4" I.D.	1	U37-670P	U37-669P	U37-669P
17	Barbed Elbow - 90° - 1/4" NPT	-	-	-	-
18	Pressure Switch	1	U217-1202	U217-1202	U217-1202
19	Locknut - 1/2"	1	U36-112ZP	U36-112ZP	U36-112ZP
20	Connector	1	L43-5C	L43-5C	L43-5C
Seal Kit			PP1530	PP1530	PP1530
(Includes 3, 5, and 6)					

\* Not pictured

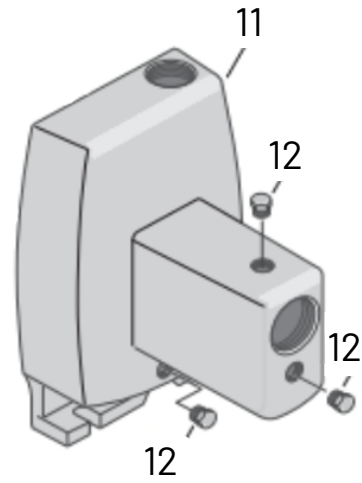
\*\* Two slots connecting motor to base only

# PARTS INDEX - FN & SN, HN SERIES

## SN, HN SERIES



## FN SERIES



# PARTS INDEX - FN & SN, HN SERIES

## STA-RITE MODELS

KEY NO	PART DESCRIPTION	QTY	SNC-L	SNC-HF25L	SND-L	SNE-L
			1/2 HP	1/2 HP	3/4 HP	1HP
1	Motor	1	J218-1651	J218-1651	J218-1652	J218-1653
2	Hex Capscrew - 3/8" - 16 x 1-1/4" Lg.	4	U30-75ZP	U30-75ZP	U30-75ZP	-
2	Hex Capscrew - 3/8" - 16 x 1-1/2" Lg.	2	-	-	-	U30-76ZP
3	Water Slinger	1	17351-0009	17351-0009	17351-0009	17351-0009
4	Seal Plate	1	N3-9	N3-9	N3-9	L3-10
5	Seal Plate Gasket	1	N20-35N	N20-35N	N20-35N	C20-21N
6	Shaft Seal	1	U109-6B	U109-6B	U109-6B	U109-6B
7	Impeller	1	J105-40P	J105-40P	J105-42P	J105-8PAN
8	Diffuser	1	L1-25P	L1-25P	L1-25P	L1-23P
9	Diffuser Gasket	1	N20-34	N20-34	N20-34	-
*	Diffuser O-Ring	1	-	-	-	U9-418
*	Diffuser Screws	3	-	-	-	U30-489SS
10	Quick Connect - 1/4" NPT	1	U11-217P	U11-217P	U11-217P	U11-217P
10	Barbed Fitting - Straight - 1/4" NPT	-	-	-	-	-
11	Pump Body - Assembly	1	N176-43KIT	N176-43KIT	N176-43KIT	N176-44KIT
11A	Venturi	1	N32P-66	N32P-67	N32P-75	N32P-64
11B	Nozzle	1	N34P-17	N34P-17	N34P-21	J34P-44
12	Pipe Plug - 1/4" NPT Hex Hd.	( )	U78-941ZPV (3)	U78-941ZPV (3)	U78-941ZPV (3)	U78-941ZPV (4)
13	Hex Capscrew - 3/8" - 16 x 1-1/4" Lg.	2	-	-	-	U30-75ZP
14	Base	1	J104-9F	J104-9F	J104-9F	J4-9C
15	Rubber Pad	1	C35-5S	C35-5S	C35-5S	C35-5S
16	Tube 1/4" I.D.	1	U37-676P	U37-676P	U37-676P	U37-672P
17	Quick Connect Elbow - 1/4" NPT	1	U11-218P	U11-218P	U11-218P	U11-218P
17	Barbed Elbow - 90° - 1/4" NPT	-	-	-	-	-
18	Pressure Switch	1	U217-1225	U217-1226	U217-1225	U217-1217
19	Locknut - 1/2"	1	U36-112ZP	U36-112ZP	U36-112ZP	U36-112ZP
20	Connector	1	L43-5C	L43-5C	L43-5C	L43-5C
Seal Kit						
(Includes 3, 5, 6, and 9)			PP1550	PP1550	PP1550	PP1551
Overhaul Kit						
(Includes 3, 5, 6, 7, 8, and 9)			PP1560	PP1560	PP1561	PP1563

\* Not pictured

# PARTS INDEX - FN & SN, HN SERIES

## STA-RITE MODELS

KEY NO	PART DESCRIPTION	QTY	SNF-L	HNC-L	HND-L	HNE-L	HNEX
			1-1/2 HP	1/2 HP	3/4 HP	1 HP	1 HP
1	Motor	1	J218-1655	J218-1652	J218-1653	J218-1655	J218-1655
2	Hex Capscrew - 3/8" - 16 x 1-1/4" Lg.	4	-	U30-75ZP	-	-	-
2	Hex Capscrew - 3/8" - 16 x 1-1/2" Lg.	2	U30-76ZP	-	U30-76ZP	U30-76ZP	U30-76ZP
3	Water Slinger	1	17351-0009	17351-0009	17351-0009	17351-0009	17351-0009
4	Seal Plate	1	L3-10	N3-9	L3-10	L3-10	L3-10
5	Seal Plate Gasket	1	C20-21N	N20-35N	C20-21N	C20-21N	C20-21N
6	Shaft Seal	1	U109-6B	U109-6B	U109-6B	U109-6B	U109-6B
7	Impeller	1	J105-22PA	J105-42P	J105-8PAN	J105-22PA	J105-8PAN
8	Diffuser	1	L1-23P	L1-25P	L1-23P	L1-23P	L1-23P
9	Diffuser Gasket	1	-	N20-34	-	-	-
*	Diffuser O-Ring	1	U9-418	-	U9-418	U9-418	U9-418
*	Diffuser Screws	3	U30-489SS	-	U30-489SS	U30-489SS	U30-489SS
10	Quick Connect - 1/4" NPT	1	U11-217P	U11-217P	U11-217P	U11-217P	U11-217P
10	Barbed Fitting - Straight - 1/4" NPT	-	-	-	-	-	-
11	Pump Body - Assembly	1	N176-44KIT	N176-43KIT	N176-44KIT	N176-44KIT	N176-44KIT
11A	Venturi	1	N32P-65	N32P-75	N32P-64	N32P-65	N32P-65
11B	Nozzle	1	J34P-44	N34P-21	J34P-44	J34P-44	J34P-44
12	Pipe Plug - 1/4" NPT Hex Hd.	( )	U78-941ZPV (4)	U78-941ZPV (3)	U78-941ZPV (4)	U78-941ZPV (4)	U78-941ZPV (4)
13	Hex Capscrew - 3/8" - 16 x 1-1/4" Lg.	2	U30-75ZP	-	U30-75ZP	U30-75ZP	U30-75ZP
14	Base	1	J4-9C	J104-9F	J4-9C	J4-9C	J4-9C
15	Rubber Pad	1	C35-5S	C35-5S	C35-5S	C35-5S	C35-5S
16	Tube 1/4" I.D.	1	U37-672P	U37-676P	U37-672P	U37-672P	U37-672P
17	Quick Connect Elbow - 1/4" NPT	1	U11-218P	U11-218P	U11-218P	U11-218P	U11-218P
17	Barbed Elbow - 90° - 1/4" NPT	-	-	-	-	-	-
18	Pressure Switch	1	U217-1225	U217-1217	U217-1217	U217-1217	U217-1217
19	Locknut - 1/2"	1	U36-112ZP	U36-112ZP	U36-112ZP	U36-112ZP	U36-112ZP
20	Connector	1	L43-5C	L43-5C	L43-5C	L43-5C	L43-5C
Seal Kit (Includes 3, 5, and 6)			PP1551	PP1550	PP1551	PP1551	PP1551
Overhaul Kit (Includes 3, 5, 6, 7, 8, and 9)			PP1564	PP1561	PP1563	PP1564	PP1563

\* Not pictured



# PARTS INDEX - FN & SN, HN SERIES

## STA-RITE MODELS

KEY NO	PART DESCRIPTION	QTY	HNFx	FNC-L	FSNCH-L	FND-L	FSNDH-L
			1-1/2 HP	1/2 HP	1/2 HP	3/4 HP	3/4 HP
1	Motor	1	J218-1655	J218-1651	J218-1651	J218-1652	J218-1652
2	Hex Capscrew - 3/8" - 16 x 1-1/4" Lg.	4	-	U30-75ZP	U30-75ZP	U30-75ZP	U30-75ZP
2	Hex Capscrew - 3/8" - 16 x 1-1/2" Lg.	2	U30-76ZP	-	-	-	-
3	Water Slinger	1	17351-0009	17351-0009	17351-0009	17351-0009	17351-0009
4	Seal Plate	1	L3-10	N3-9	N3-9	N3-9	N3-9
5	Seal Plate Gasket	1	C20-21N	N20-35N	N20-35N	N20-35N	N20-35N
6	Shaft Seal	1	U109-6B	U109-6B	U109-6B	U109-6B	U109-6B
7	Impeller	1	J105-22PA	J105-40PH	J105-40P	J105-42P	J105-42P
8	Diffuser	1	L1-23P	L1-25P	L1-25P	L1-25P	L1-25P
9	Diffuser Gasket	1	-	N20-34	N20-34	N20-34	N20-34
*	Diffuser O-Ring	1	U9-418	-	-	-	-
*	Diffuser Screws	3	U30-489SS	-	-	-	-
10	Quick Connect - 1/4" NPT	1	U11-217P	-	-	-	-
10	Barbed Fitting - Straight - 1/4" NPT	1	-	U111-211T	U111-211T	U111-211T	U111-211T
11	Pump Body - Assembly	1	N176-44KIT	N176-38	N176-38	N176-38F	N176-38F
11A	Venturi	1	N32P-65	N32P-66	N32P-66	N32P-75	N32P-75
11B	Nozzle	1	J34P-44	N34P-17	N34P-17	N34P-21	N34P-21
12	Pipe Plug - 1/4" NPT Hex Hd.	( )	U78-941ZPV (4)	U78-941ZPV (3)	U78-941ZPV (4)	U78-941ZPV (3)	U78-941ZPV (4)
13	Hex Capscrew - 3/8" - 16 x 1-1/4" Lg.	2	U30-75ZP	-	-	-	-
14	Base	1	J4-9C	-	-	-	-
15	Rubber Pad	1	C35-5S	-	-	-	-
16	Tube 1/4" I.D.	1	U37-677P	U37-676P	U37-676P	U37-672P	U37-672P
17	Quick Connect Elbow - 1/4" NPT	1	U11-218P	-	-	-	-
17	Barbed Elbow - 90° - 1/4" NPT	1	-	U111-212T	-	U111-212T	-
18	Pressure Switch	1	U217-1217	U217-1217	U217-1202	U217-1217	U217-1202
19	Locknut - 1/2"	1	U36-112ZP	U36-112ZP	U36-112ZP	U36-112ZP	U36-112ZP
20	Connector	1	L43-5C	L43-5C	L43-5C	L43-5C	L43-5C
Seal Kit (Includes 3, 5, and 6)			PP1551	PP1550	PP1550	PP1550	PP1550
Overhaul Kit (Includes 3, 5, 6, 7, 8, and 9)			PP1564	-	PP1560	PP1561	PP1561

\* Not pictured

# PARTS INDEX - FN & SN, HN SERIES

## BERKELEY MODELS

KEY NO	PART DESCRIPTION	QTY	5SN	7SN	10SN	15SN	5HN
			1/2 HP	3/4 HP	1 HP	1-1/2 HP	1/2 HP
1	Motor	1	J218-1651	J218-1652	J218-1653	J218-1655	J218-1652
2	Hex Capscrew - 3/8" - 16 x 1-1/4" Lg.	4	U30-75ZP	U30-75ZP	-	-	U30-75ZP
2	Hex Capscrew - 3/8" - 16 x 1-1/2" Lg.	2	-	-	U30-76ZP	U30-76ZP	-
3	Water Slinger	1	17351-0009	17351-0009	17351-0009	17351-0009	17351-0009
4	Seal Plate	1	N3-9	N3-9	L3-10	L3-10	N3-9
5	Seal Plate Gasket	1	N20-35N	N20-35N	C20-21N	C20-21N	N20-35N
6	Shaft Seal	1	U109-6B	U109-6B	U109-6B	U109-6B	U109-6B
7	Impeller	1	J105-40P	J105-42P	J105-8PAN	J105-22PA	J105-42P
8	Diffuser	1	L1-25P	L1-25P	L1-23P	L1-23P	L1-25P
9	Diffuser Gasket	1	N20-34	N20-34	-	-	N20-34
*	Diffuser O-Ring	1	-	-	U9-418	U9-418	-
*	Diffuser Screws	3	-	-	U30-489SS	U30-489SS	-
10	Quick Connect - 1/4" NPT	1	U11-217P	U11-217P	U11-217P	U11-217P	U11-217P
10	Barbed Fitting - Straight - 1/4" NPT	-	-	-	-	-	-
11	Pump Body - Assembly	1	N176-43KIT	N176-43KIT	N176-44KIT	N176-44KIT	N176-43KIT
11A	Venturi	1	N32P-66	N32P-75	N32P-64	N32P-65	N32P-75
11B	Nozzle	1	N34P-17	N34P-21	J34P-44	J34P-44	N34P-21
12	Pipe Plug - 1/4" NPT Hex Hd.	( )	U78-941ZPV (3)	U78-941ZPV (3)	U78-941ZPV (4)	U78-941ZPV (4)	U78-941ZPV (3)
13	Hex Capscrew - 3/8" - 16 x 1-1/4" Lg.	2	-	-	U30-75ZP	U30-75ZP	-
14	Base	1	J104-9F	J104-9F	J4-9C	J4-9C	J104-9F
15	Rubber Pad	1	C35-5S	C35-5S	C35-5S	C35-5S	C35-5S
16	Tube 1/4" I.D.	1	U37-676P	U37-676P	U37-672P	U37-672P	U37-676P
17	Quick Connect Elbow - 1/4" NPT	1	U11-218P	U11-218P	U11-218P	U11-218P	U11-218P
17	Barbed Elbow - 90° - 1/4" NPT	1	-	-	-	-	-
18	Pressure Switch	1	U217-1225	U217-1225	U217-1217	U217-1225	U217-1217
19	Locknut - 1/2"	1	U36-112ZP	U36-112ZP	U36-112ZP	U36-112ZP	U36-112ZP
20	Connector	1	L43-5C	L43-5C	L43-5C	L43-5C	L43-5C
Seal Kit (Includes 3, 5, 6, and 9)			PP1550	PP1550	PP1551	PP1551	PP1550
Overhaul Kit (Includes 3, 5, 6, 7, 8, and 9)			PP1560	PP1561	PP1563	PP1564	PP1561

\* Not pictured

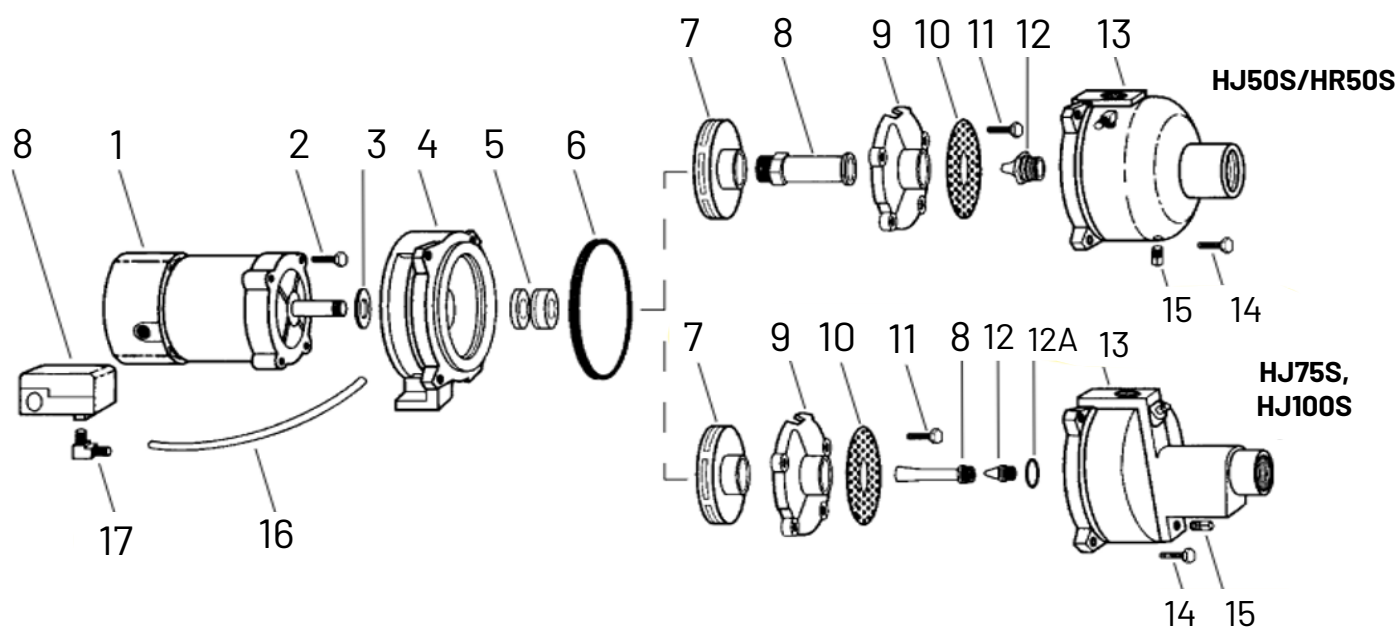
# PARTS INDEX - FN & SN, HN SERIES

## BERKELEY MODELS

KEY NO	PART DESCRIPTION	QTY	7HN	10HN	5FN-L	7FN-L
			3/4 HP	1-1/2 HP	1/2 HP	3/4 HP
1	Motor	1	J218-1653	J218-1655	J218-1651	J218-1652
2	Hex Capscrew - 3/8" - 16 x 1-1/4" Lg.	4	-	-	U30-75ZP	U30-75ZP
2	Hex Capscrew - 3/8" - 16 x 1-1/2" Lg.	2	U30-76ZP	U30-76ZP	-	-
3	Water Slinger	1	17351-0009	17351-0009	17351-0009	17351-0009
4	Seal Plate	1	L3-10	L3-10	N3-9	N3-9
5	Seal Plate Gasket	1	C20-21N	C20-21N	N20-35N	N20-35N
6	Shaft Seal	1	U109-6B	U109-6B	U109-6B	U109-6B
7	Impeller	1	J105-8PAN	J105-22PA	J105-40PH	J105-42P
8	Diffuser	1	L1-23P	L1-23P	L1-25P	L1-25P
9	Diffuser Gasket	1	-	-	N20-34	N20-34
*	Diffuser O-Ring	1	U9-418	U9-418	-	-
*	Diffuser Screws	3	U30-489SS	U30-489SS	-	-
10	Quick Connect - 1/4" NPT	1	U11-217P	U11-217P	-	-
10	Barbed Fitting - Straight - 1/4" NPT	1	-	-	U111-211T	U111-211T
11	Pump Body - Assembly	1	N176-44KIT	N176-44KIT	N176-38	N176-38F
11A	Venturi	1	N32P-64	N32P-65	N32P-66	N32P-75
11B	Nozzle	1	J34P-44	J34P-44	N34P-17	N34P-21
12	Pipe Plug - 1/4" NPT Hex Hd.	( )	U78-941ZPV (4)	U78-941ZPV (4)	U78-941ZPV (3)	U78-941ZPV (3)
13	Hex Capscrew - 3/8" - 16 x 1-1/4" Lg.	2	U30-75ZP	U30-75ZP	-	-
14	Base	1	J4-9C	J4-9C	-	-
15	Rubber Pad	1	C35-5S	C35-5S	-	-
16	Tube 1/4" I.D.	1	U37-672P	U37-672P	U37-676P	U37-672P
17	Quick Connect Elbow - 1/4" NPT	1	U11-218P	U11-218P	-	-
17	Barbed Elbow - 90° - 1/4" NPT	1	-	-	U111-212T	U111-212T
18	Pressure Switch	1	U217-1217	U217-1217	U217-1217	U217-1217
19	Locknut - 1/2"	1	U36-112ZP	U36-112ZP	U36-112ZP	U36-112ZP
20	Connector	1	L43-5C	L43-5C	L43-5C	L43-5C
Seal Kit			PP1551	PP1551	PP1550	PP1550
(Includes 3, 5, 6, and 9)						
Overhaul Kit			PP1563	PP1564	-	PP1561
(Includes 3, 5, 6, 7, 8, and 9)						

\* Not pictured

# PARTS INDEX - HJ SHALLOW WELL



\* For plastic impeller models only

# PARTS INDEX - HR & HJ SERIES

## MYERS MODELS

KEY NO.	PART DESCRIPTION	QTY	HR50S	HJ50S	HJ75S	HJ100S
			1/2 HP	1/2 HP	3/4 HP	1 HP
1	Motor	1	J218-1652-115	20924A000K	20934A000K	20935A000K
2	Hex Screw - 3/8" - 16 x 7/8" Lg.	4	-	U30-73ZP	U30-73ZP	U30-73ZP
2	Hex Screw - 3/8" - 16 x 1/2" Lg.	4	U30-76SS	-	-	-
*	Lockwasher	4	05454A007	-	-	-
3	Water Slinger	1	17351-0009	05059A318	05059A318	05059A318
4	Bracket	1	-	20936D101W	20937D101W	20937D101W
*	Seal Plate	1	24452C100W	-	-	-
5	Shaft Seal	1	14525A000K	14525A000K	14525A000K	14525A000K
6	Seal Plate Gasket	1	05014A157	05014A157	05014A158	05014A158
7	Impeller - Plastic	1	16622B015	16622B010	19195B004	19196B004
7	Impeller - Brass	1	17682B003K	17682B003K	19195B000K	19196B000K
8	Venturi	1	25886A500	25886A500	25882A546	19199A001
9	Diffuser	1	12371B000K	12371B000K	14379B000	14380B000K
10	Screen	1	13069B000	13069B000	13069B002	13069B002
11	Diffuser Screws	3	U30-53SS	U30-53SS	U30-53SS	U30-53SS
12	Nozzle	1	12367A000	12367A000	08546A004	08546A004
12A	Nozzle O-Ring	1	-	-	05876A087	05876A087
13	Pump Body	1	24357D100W	18622D101W	19197D100W	19197D100W
14	Hex Screw - 3/8" - 16 x 1-1/4" Lg.	5	-	U30-75ZP	-	-
14	Hex Screw - 3/8" - 16 x 1-1/2" Lg.	4	-	-	19102A012	19102A012
15	Pipe Plug - 1/4" Hex	( )	U78-914ZPV (2)	U78-914ZPV (2)	U78-914ZPV (2)	U78-914ZPV (1)
16	Tube 1/4" I.D.	1	U37-677P	U37-677P	U37-677P	U37-677P
17	Barbed Elbow - 90° - 1/4" NPT	2	U111-212T	U111-212T	U111-212T	U111-212T
18	Pressure Switch	1	U217-1218	U217-1217	U217-1217	U217-1217
*	Connector	1	L43-5C	L43-5C	L43-5C	L43-5C
Overhaul Kit			PK50	PK50	PK75	PK100
(Includes 5, 6, 7, 8, 9, 12, and 12A)**						

\* Not pictured

\*\*For plastic impeller models only

# BERKELEY WARRANTY

Pentair BERKELEY® warrants to the original consumer purchaser (“Purchaser” or “You”) of the products listed in the table below, that they will be free from defects in material and workmanship for the Warranty Period shown in the table below.

PRODUCT	WARRANTY PERIOD WHICHEVER OCCURS FIRST:
Water Systems Products – jet pumps, small centrifugal pumps, submersible pumps and related accessories	12 months from date of original installation, or 18 months from date of manufacture
Pentair Pro-Source® Composite Tanks	5 years from date of original installation
Pentair Pro-Source Steel Pressure Tanks	5 years from date of original installation
Pentair Pro-Source Epoxy-Lined Tanks	3 years from date of original installation
Agricultural/Commercial:	
Centrifugals – close-coupled motor drive, frame mount, SAE mount, engine drive, VMS, SSCX, SSHM	12 months from date of original installation, or 24 months from date of manufacture
Submersible Turbines, 6” diameter and larger	12 months from date of original installation, or 24 months from date of manufacture

Our warranty will not apply to any product that, in our sole judgement, has been subject to negligence, misapplication, improper installation, or improper maintenance. Examples that may result in denial of a warranty claim (this list is not all inclusive):

- ◆ Damage caused by careless handling, improper repackaging, or shipping.
- ◆ Damage due to misapplication, misuse, abuse, or failure to operate equipment as specified in the owner’s manual.
- ◆ Damage caused by failure to install products as specified in the owner’s manual.
- ◆ Damage due to unauthorized product modifications or failure to use Pentair original replacement parts.
- ◆ Damage caused by negligence, or failure to properly maintain products as specified in the owner’s manual.
- ◆ Damage caused by water freezing inside the product.
- ◆ Accidental damage, fire, acts of God, or other circumstances outside the control of Pentair.

Without limiting the foregoing, operating a three phase motor with single phase power through a phase converter will void the warranty. Note also that three phase motors must be protected by three-leg, ambient compensated, extra-quick trip overload relays of the recommended size or the warranty is void.

All impeller diameters specified in the BEC2 pump sizing program have been tested and determined to not exceed the service factor of the specified motor. Oversized impeller diameters can be requested, however, use of an oversized impeller will void any warranty claims.

Your only remedy, and BERKELEY’s only duty under this warranty, is that BERKELEY repair or replace defective products (at BERKELEY’s choice). THE REMEDIES DESCRIBED HERE ARE YOUR SOLE AND EXCLUSIVE REMEDIES AND OUR ENTIRE LIABILITY FOR ANY BREACH OF THIS WARRANTY.

You must pay all labor and shipping charges associated with the warranty and must request warranty service through the installing dealer as soon as a problem is discovered. No request for service will be accepted if received after the Warranty Period has expired. This warranty is not transferable.

BERKELEY’S LIABILITY SHALL UNDER NO CIRCUMSTANCES EXCEED THE ACTUAL AMOUNT PAID BY YOU FOR THE PRODUCT AT ISSUE. BERKELEY SHALL NOT, UNDER ANY CIRCUMSTANCES, BE LIABLE FOR ANY CONSEQUENTIAL, INCIDENTAL, SPECIAL, PUNITIVE, OR CONTINGENT DAMAGES OR LOSSES WHATSOEVER, WHETHER DIRECT OR INDIRECT. THE FOREGOING WARRANTY IS EXCLUSIVE. EXCEPT FOR THE WARRANTY SET FORTH HEREIN, BERKELEY MAKES NO WARRANTY WHATSOEVER WITH RESPECT TO THE PRODUCTS, INCLUDING, BUT NOT TO ANY WARRANTIES OF MERCHANTABILITY OR WARRANTY OF FITNESS FOR A PARTICULAR PURPOSE, WHETHER EXPRESS OR IMPLIED BY LAW, COURSE OF DEALING, COURSE OF PERFORMANCE, USAGE OF TRADE OR OTHERWISE.

THE FOREGOING WARRANTIES SHALL NOT EXTEND BEYOND THE DURATION PROVIDED HEREIN. Some states do not allow the exclusion or limitation of incidental or consequential damages or limitations on the duration of an implied warranty, so the above limitations or exclusions may not apply to You. This warranty gives You specific legal rights and You may also have other rights which vary from state to state.

This Warranty is effective July 14, 2020 and replaces all undated warranties and warranties dated before July 14, 2020.

# MYERS WARRANTY

---

## LIMITED WARRANTY

Myers® warrants to the original consumer purchaser (“Purchaser” or “You”) of the products listed below, that they will be free from defects in material and workmanship for the Warranty Period shown below.

PRODUCT	WARRANTY PERIOD WHICHEVER OCCURS FIRST:
Jet pumps, small centrifugal pumps, submersible pumps and related accessories	12 months from date of original installation, or 18 months from date of manufacture.
Fibrewound Tanks	5 years from date of original installation
Steel Pressure Tanks	5 years from date of original installation
Sump/Sewage/Effluent/Utility/Battery Backup Products	36 months from date of manufacture
Wastewater Solids Handling Pumps	12 months from date of shipment from factory or 18 months from date of manufacture

## NOZZLE CLEAN OUT (LOW PRESSURE)

Our warranty applies only where such products are used in compliance with the requirements of the applicable product catalog and/or manuals. For additional information, please refer to the applicable standard limited warranty featured in the product manual.

Our warranty will not apply to any product that, in our sole judgment, has been subject to negligence, misapplication, improper installation, or improper maintenance. Without limiting the foregoing, operating a three phase motor with single phase power through a phase converter will void the warranty. Note also that three phase motors must be protected by three-leg, ambient compensated, extra-quick trip overload relays of the recommended size or the warranty is void.

Your only remedy, and MYERS’s only duty, is that MYERS repair or replace defective products (at MYERS’s choice). You must pay all labor and shipping charges associated with this warranty and must request warranty service through the installing dealer as soon as a problem is discovered. No request for service will be accepted if received after the Warranty Period has expired. This warranty is not transferable.

MYERS SHALL NOT BE LIABLE FOR ANY CONSEQUENTIAL, INCIDENTAL, OR CONTINGENT DAMAGES WHATSOEVER.

THE FOREGOING LIMITED WARRANTIES ARE EXCLUSIVE AND IN LIEU OF ALL OTHER EXPRESS AND IMPLIED WARRANTIES, INCLUDING BUT NOT LIMITED TO IMPLIED WARRANTIES OF MERCHANTABILITY AND FITNESS FOR A PARTICULAR PURPOSE. THE FOREGOING LIMITED WARRANTIES SHALL NOT EXTEND BEYOND THE DURATION PROVIDED HEREIN.

Some states do not allow the exclusion or limitation of incidental or consequential damages or limitations on the duration of an implied warranty, so the above limitations or exclusions may not apply to You. This warranty gives You specific legal rights and You may also have other rights which vary from state to state.

This Limited Warranty is effective January 1, 2021 and replaces all undated warranties and warranties dated before January 1, 2021.

# STA-RITE WARRANTY

---

## LIMITED WARRANTY

STA-RITE warrants to the original consumer purchaser ("Purchaser" or "You") of the products listed below, that they will be free from defects in material and workmanship for the Warranty Period shown below.

PRODUCT	WARRANTY PERIOD WHICHEVER OCCURS FIRST:
Water Systems Products – jet pumps, small centrifugal pumps, submersible pumps and related accessories	12 months from date of original installation, or 18 months from date of manufacture
Pro-Source™ Composite Tanks	5 years from date of original installation
Pro-Source™ Steel Pressure Tanks	5 years from date of original installation
Pro-Source™ Epoxy-Lined Tanks	3 years from date of original installation
Sump/Sewage/Effluent Products	12 months from date of original installation, or 18 months from date of manufacture

Our warranty will not apply to any product that, in our sole judgment, has been subject to negligence, misapplication, improper installation, or improper maintenance. Without limiting the foregoing, operating a three phase motor with single phase power through a phase converter will void the warranty. Note also that three phase motors must be protected by three-leg, ambient compensated, extra-quick trip overload relays of the recommended size or the warranty is void.

Your only remedy, and STA-RITE's only duty, is that STA-RITE repair or replace defective products (at STA-RITE's choice). You must pay all labor and shipping charges associated with this warranty and must request warranty service through the installing dealer as soon as a problem is discovered. No request for service will be accepted if received after the Warranty Period has expired. This warranty is not transferable.

STA-RITE SHALL NOT BE LIABLE FOR ANY CONSEQUENTIAL, INCIDENTAL, OR CONTINGENT DAMAGES WHATSOEVER. THE FOREGOING WARRANTIES ARE EXCLUSIVE AND IN LIEU OF ALL OTHER EXPRESS AND IMPLIED WARRANTIES, INCLUDING BUT NOT LIMITED TO THE IMPLIED WARRANTIES OF MERCHANTABILITY AND FITNESS FOR A PARTICULAR PURPOSE. THE FOREGOING WARRANTIES SHALL NOT EXTEND BEYOND THE DURATION EXPRESSLY PROVIDED HEREIN. Some states do not allow the exclusion or limitation of incidental or consequential damages or limitations on the duration of an implied warranty, so the above limitations or exclusions may not apply to You. This warranty gives You specific legal rights and You may also have other rights which vary from state to state.

This Limited Warranty is effective June 1, 2011 and replaces all undated warranties and warranties dated before June 1, 2011.



293 Wright St  
Delavan, WI 53115  
Ph: 888.987.8677  
Fx: 800.426.9446

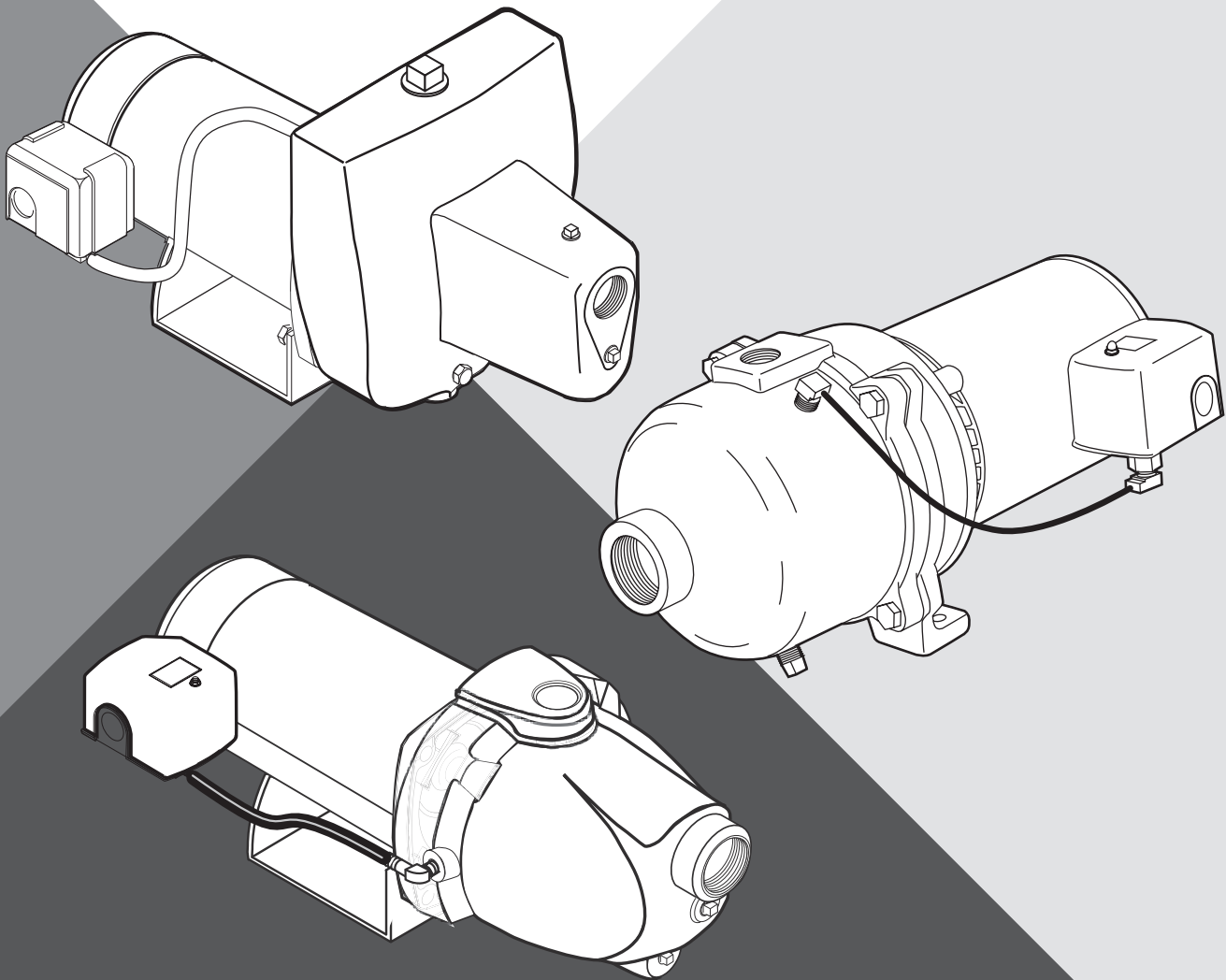
490 Pinebush Rd., Unit 4  
Cambridge, Ontario  
Canada N1T 0A5  
Ph: 800.363.7867

PENTAIR.COM

All indicated Pentair trademarks and logos are property of Pentair. Third party registered and unregistered trademarks and logos are the property of their respective owners. Because we are continuously improving our products and services, Pentair reserves the right to change specifications without prior notice. Pentair is an equal opportunity employer.



# POMPES À JET POUR PUIITS PEU PROFONDS



## GUIDE DE L'UTILISATEUR

[pentair.com](http://pentair.com)

# TABLE DES MATIÈRES

---

CONSIGNES DE SÉCURITÉ .....	3
INSTALLATION .....	4
RACCORDEMENTS DU TUYAU DE REFOULEMENT ET DU RÉSERVOIR SOUS PRESSION .....	6
SYSTÈME DE SURPRESSION TYPIQUE.....	7
ÉLECTRICITÉ.....	8
DÉMARRAGE DE LA POMPE .....	10
DÉPANNAGE .....	12
NOMENCLATURE DES PIÈCES .....	14
GARANTIES .....	30

CE MANUEL COUVRE LES MODÈLES SUIVANTS:

STA-RITE CJ, FN, HN, PN, & SN MODELS,

MYERS HR, HJ, MFN, MPN, & QD MODELS,

BERKELEY FN, HN, PN, SN, & SJH MODELS.

# INFORMATION RELATIVE À LA SÉCURITÉ

## SYMBOLES DE SÉCURITÉ

**⚠** Ceci est le symbole d'alerte de sécurité. Si vous voyez ce symbole sur votre pompe ou dans ce guide, cherchez l'un des mots d'avertissement ci-dessous et soyez attentif aux risques de blessures corporelles.

**⚠ DANGER** signale un danger qui provoquera des blessures graves, la mort ou des dommages matériels importants s'il est ignoré.

**⚠ MISE EN GARDE** signale un danger qui peut provoquer des blessures corporelles graves, la mort ou des dommages matériels importants s'il est ignoré.

**⚠ ATTENTION** signale un danger qui provoquera ou peut provoquer des blessures corporelles légères ou des dommages matériels s'il est ignoré.

Le mot **REMARQUE** indique des instructions spéciales importantes, mais non liées aux dangers.

## AVERTISSEMENT CONCERNANT LA PROPOSITION 65 DE LA CALIFORNIE

**⚠ MISE EN GARDE** Ce produit et les accessoires connexes contiennent des produits chimiques considérés par l'État de la Californie comme pouvant causer le cancer, des anomalies congénitales ou d'autres problèmes liés au système reproducteur.



- ◆ Câblez le moteur à la bonne tension. Consultez la section « Électricité » de ce manuel et la plaque signalétique du moteur.
- ◆ Assurez-vous de mettre la pompe à la terre avant de le brancher à l'alimentation électrique.
- ◆ Installez l'équipement en respectant les directives du Code national de l'électricité, du Code canadien de l'électricité et des codes locaux pour tout le câblage.
- ◆ Suivez les instructions de câblage de ce manuel pour raccorder le moteur aux lignes électriques.

## SÉCURITÉ GÉNÉRALE

**⚠ ATTENTION** **NE TOUCHEZ PAS UN MOTEUR EN MARCHÉ.** Les moteurs modernes sont conçus pour fonctionner à une température élevée. Pour éviter les brûlures lors de l'entretien de la pompe, laissez-la refroidir pendant 20 minutes après l'arrêt avant de la manipuler.

- ◆ **NE LAISSEZ PAS** la pompe ou tout autre composant du système geler. Cela aura pour effet d'annuler la garantie.
- ◆ Utilisez cette pompe uniquement pour pomper de l'eau.
- ◆ Inspectez régulièrement les composants du puisard et du système.
- ◆ Portez des lunettes de sécurité en tout temps lorsque vous travaillez sur une pompe.
- ◆ Gardez la zone de travail propre, dégagée et correctement éclairée; rangez correctement tous les outils et équipements non utilisés.
- ◆ Gardez les visiteurs à une distance sécuritaire des zones de travail.

**⚠ MISE EN GARDE** Le corps de la pompe peut exploser si elle est utilisée comme pompe de surpression, sauf si une soupape de décharge capable de permettre le passage du plein débit de la pompe à 75 psi est installée.

## SÉCURITÉ ÉLECTRIQUE

**⚠ MISE EN GARDE** **LA TENSION DU CONDENSATEUR PEUT ÊTRE DANGEREUSE.** Pour décharger le condensateur du moteur, tenez le tournevis à manche isolé **par le manche** et court-circuitez les bornes du condensateur. Ne touchez pas la lame métallique du tournevis ni les bornes du condensateur. En cas de doute, consultez un électricien qualifié.



# INSTALLATION

## REPLACEMENT D'UNE ANCIENNE POMPE

**MISE EN GARDE TENSION DANGEREUSE.** Débranchez l'alimentation de la pompe avant de travailler sur la pompe ou le moteur.

1. Vidangez et retirez l'ancienne pompe. Assurez-vous que l'ancien tuyau est exempt de tartre, de dépôts calcaires, de rouille, etc. Remplacez-le au besoin.
2. Installez la pompe dans le système. Assurez-vous que tous les joints du tuyau d'aspiration sont étanches à l'air et à l'eau. Si le tuyau d'aspiration n'est pas étanche, la pompe ne sera pas en mesure d'extraire l'eau du puits.
3. Réglez la hauteur de montage de la pompe en veillant à ce que les raccords de plomberie n'exercent pas de contrainte sur le corps de la pompe. Mettez en place un système de soutien de tuyaux afin que le corps de la pompe ne supporte pas le poids des tuyaux ou des raccords.

## INSTALLATION DE LA POINTE FILTRANTE (MÉCANISME D'ANCRAGE) DU PUIITS

1. Installez la pointe filtrante au moyen de raccords et d'un capuchon d'entraînement. Les raccords d'entraînement sont filetés sur toute leur longueur et permettent aux extrémités des tuyaux de se rejoindre afin que la force d'entraînement du maillet soit supportée par le tuyau et non par les filets.

Les raccords ordinaires en vente dans les quincailleries ne sont pas filetés jusqu'au bout et sont susceptibles de s'écraser en cas de choc. Les raccords d'entraînement sont également plus lisses que les raccords de plomberie ordinaires, facilitant ainsi leur insertion dans le sol.

2. Installez la pompe aussi près que possible du puits.

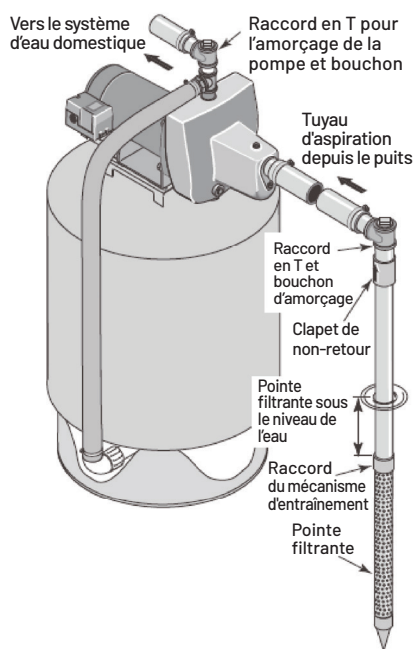


Figure 1 : Installation de la pointe filtrante

3. Utilisez le moins de raccords possible (en particulier les raccords coudés) pour raccorder le tuyau de la pointe filtrante à l'orifice d'aspiration de la pompe. Le diamètre du tuyau d'aspiration doit être au moins égal à celui de l'orifice d'aspiration de la pompe. Ajoutez un clapet de non-retour si votre pompe n'en est pas équipée (figure 1).

Mettez en place un système de soutien des tuyaux pour éviter qu'ils n'exercent une pression sur le corps de la pompe et de manière à ce qu'ils soient légèrement inclinés vers le haut depuis le puits jusqu'à la pompe (les points élevés peuvent provoquer des poches d'air susceptibles de bloquer la pompe).

Scellez les joints du tuyau d'aspiration avec du ruban d'étanchéité pour filetage de tuyau en PTFE. Les joints doivent être étanches à l'air et à l'eau. Si le tuyau d'aspiration n'est pas étanche, la pompe ne sera pas en mesure d'extraire l'eau du puits. Si une pointe filtrante ne fournit pas assez d'eau, prévoyez de raccorder deux ou trois pointes filtrantes à un tuyau d'aspiration.

4. Référez-vous à la section « Raccordements du tuyau de vidange et du réservoir ».

## INSTALLATION D'UN PUIITS TUBÉ, TUBAGE DE 2 PO OU PLUS

1. Installez la pompe aussi près que possible du puits.
2. Assemblez le clapet de pied, la crépine et le tuyau du puits (figure 2). Assurez-vous que le clapet de pied fonctionne librement.
3. Abaissez le tuyau dans le puits jusqu'à ce que la crépine soit à cinq pieds du fond du puits. La crépine doit également être située à un minimum de dix pieds sous le niveau d'eau du puits lorsque la pompe fonctionne, afin d'éviter que la pompe n'aspire de l'air. Installez un joint de puits sanitaire.

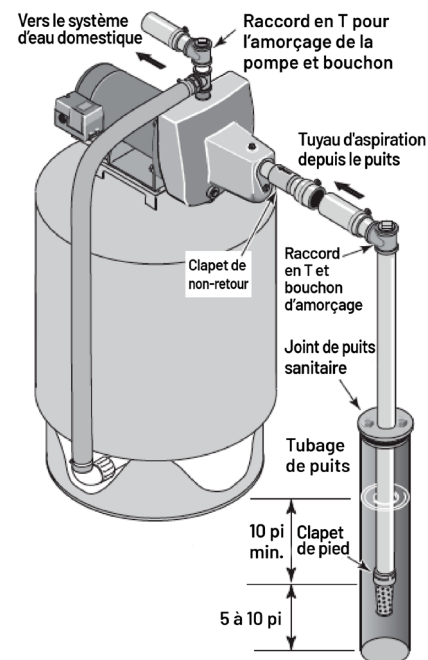


Figure 2 : Installation d'un puits tubé

## INSTALLATION

4. Installez un raccord en T, un bouchon d'amorçage et un tuyau d'aspiration sur la pompe (figure 2). Utilisez le moins de raccords possible (en particulier les raccords coudés) pour raccorder le tuyau de la pompe à l'orifice d'aspiration de la pompe, car les raccords augmentent la friction dans le tuyau. Ajoutez un clapet de pied (figure 2). Le diamètre du tuyau d'aspiration doit être au moins égal à celui de l'orifice d'aspiration de la pompe. Utilisez un ruban d'étanchéité pour filetage de tuyaux en PTFE sur les joints de tuyaux filetés.

Mettez en place un système de soutien de tuyaux pour éviter qu'ils n'exercent une pression sur le corps de la pompe et de manière à ce qu'ils soient légèrement inclinés vers le haut depuis le puits jusqu'à la pompe (les points élevés peuvent provoquer des poches d'air susceptibles de bloquer la pompe).

Scellez les joints du tuyau d'aspiration avec du ruban d'étanchéité pour filetage de tuyau en PTFE. Les joints doivent être étanches à l'air et à l'eau. Si le tuyau d'aspiration n'est pas étanche, la pompe ne sera pas en mesure d'extraire l'eau du puits.

5. Référez-vous à la section « Raccordements du tuyau de refoulement et du réservoir ».

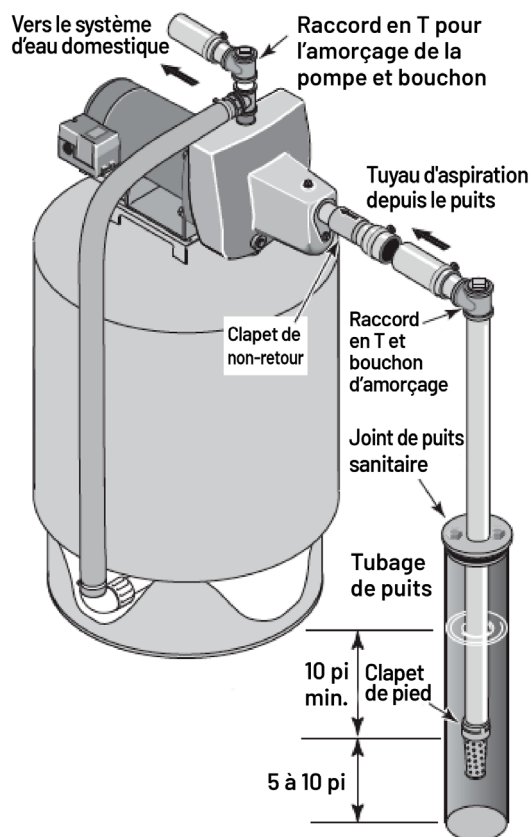


Figure 3 : Installation pour l'eau de surface

### INSTALLATION POUR L'EAU DE SURFACE

1. La pompe doit être installée le plus près possible de l'eau, avec le moins de raccords possible (en particulier les raccords en coudés) sur le tuyau d'aspiration. Le diamètre du tuyau d'aspiration doit être au moins égal à celui de l'orifice d'aspiration de la pompe.
2. Assemblez un clapet de pied et un tuyau d'aspiration (figure 3). Assurez-vous que le clapet de pied fonctionne librement. Utilisez un ruban d'étanchéité pour filetage de tuyaux en PTFE sur les joints de tuyaux filetés. Protégez l'ensemble du clapet de pied contre les poissons, les déchets, etc. en installant une grille autour.
3. Abaissez le tuyau dans l'eau jusqu'à ce que la crépine soit située à un mètre cinquante du fond. La crépine doit également être située à un minimum de dix pieds sous le niveau de l'eau afin d'éviter que la pompe n'aspire de l'air.
4. Installez un raccord en T, un bouchon d'amorçage et un tuyau d'aspiration sur la pompe (figure 3). Mettez en place un système de soutien de tuyaux pour éviter qu'ils n'exercent une pression sur le corps de la pompe et de manière à ce qu'ils soient légèrement inclinés vers le haut depuis le puits jusqu'à la pompe (les points élevés peuvent provoquer des poches d'air susceptibles de bloquer la pompe).

Scellez les joints du tuyau d'aspiration avec du ruban d'étanchéité pour filetage de tuyau en PTFE. Les joints doivent être étanches à l'air et à l'eau. Si le tuyau d'aspiration n'est pas étanche, la pompe ne sera pas en mesure d'extraire l'eau du puits.

5. Référez-vous à la section « Raccordements du tuyau de refoulement et du réservoir ».

# RACCORDEMENTS DU TUYAU DE REFOULEMENT ET DU RÉSERVOIR SOUS PRESSIION

## RACCORDEMENT DU RÉSERVOIR PRÉCHARGÉ

1. Installez deux raccords en T dans l'orifice de refoulement de la pompe (figure 4). Le diamètre du tuyau doit être au moins égal à celui de l'orifice de refoulement.
2. Installez un tube ou un tuyau renforcé d'un bras du premier raccord en T à l'orifice du réservoir préchargé.
3. Vissez l'autre extrémité du raccord en T de refoulement à votre système de plomberie.
4. Vérifiez la précharge d'air dans le réservoir à l'aide d'un manomètre standard pour pneus. La précharge doit être inférieure de 2 psi au réglage d'enclenchement du pressostat de la pompe. La précharge est mesurée lorsqu'il n'y a pas de pression d'eau dans le réservoir. Votre nouvelle pompe est munie d'un interrupteur 30/50 psi; il faut donc ajuster la pression de précharge du réservoir à 28 psi.
5. Consultez la section « Électricité » pour plus de renseignements sur les raccordements.

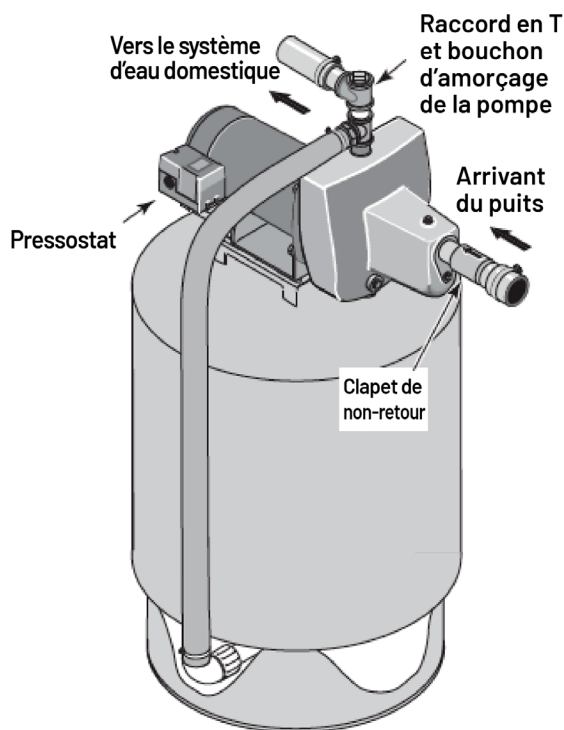


Figure 4 : Raccordements du réservoir préchargé

## RACCORDEMENT DU RÉSERVOIR STANDARD

1. Installez un raccord en T dans l'orifice de refoulement de la pompe (figure 5).
2. Installez un tuyau entre l'orifice de refoulement de la pompe et l'orifice d'entrée de votre réservoir. Le diamètre du tuyau doit être au moins égal à celui de l'orifice de refoulement.
3. Retirez le bouchon de tuyau NPT de 1/8 po de l'orifice du régulateur de volume d'air (RVA) de la pompe. Installez un tuyau entre l'orifice du RVA de la pompe et l'orifice du RVA installé sur le réservoir. Consultez les instructions fournies avec le réservoir et le RVA pour en savoir plus. L'emplacement de l'orifice du RVA varie selon le modèle de votre pompe (voir la nomenclature des pièces).
4. Consultez la section « Électricité » pour plus de renseignements sur les raccordements.

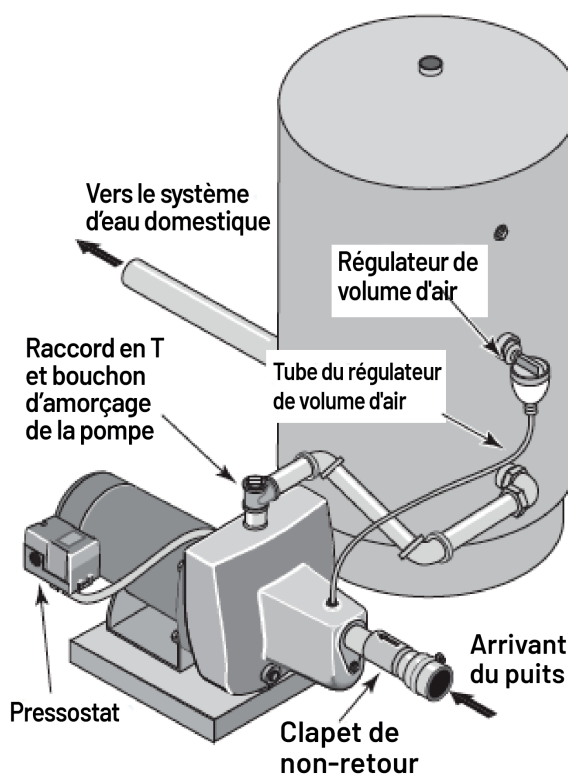


Figure 5 : Raccordements du réservoir standard

## SCELLER LES JOINTS DE TUYAUX

N'utilisez que du ruban d'étanchéité pour filetage de tuyau en PTFE pour réaliser tous les raccords filetés de la pompe elle-même. **N'utilisez pas de composé pour joints de tuyaux sur les pompes en plastique** car ils peuvent réagir avec le plastique des composants de la pompe. Assurez-vous que tous les joints du tuyau d'aspiration sont étanches à l'air et à l'eau. Si le tuyau d'aspiration n'est pas étanche, la pompe ne sera pas en mesure d'extraire l'eau du puits.

# SYSTÈME DE SURPRESSION TYPIQUE

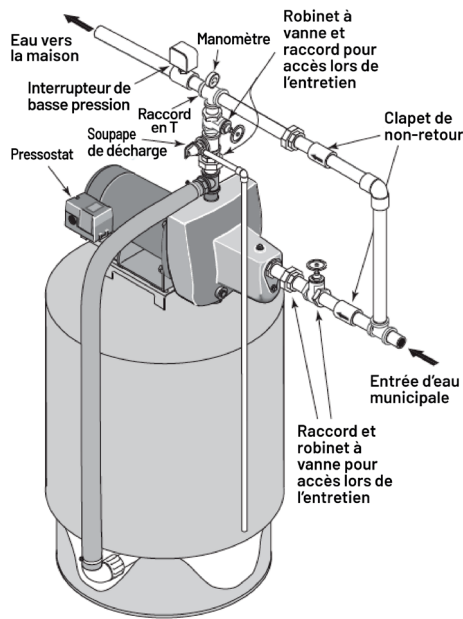


Figure 6 : Modèle SNCP42

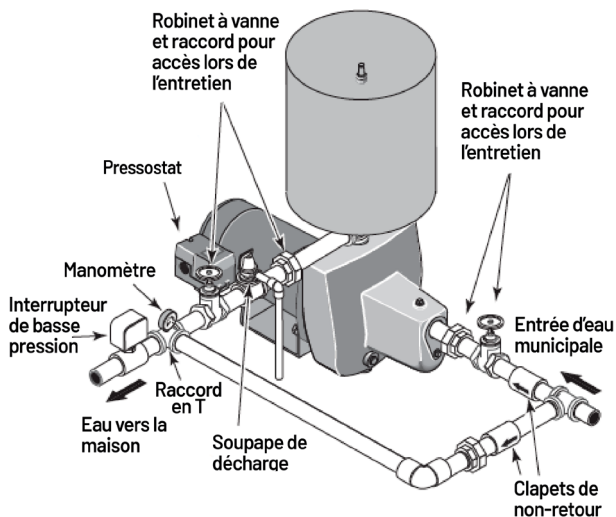


Figure 7 : Modèle SNCP15

## INSTALLATION

**⚠ MISE EN GARDE** **PRESSON DANGEREUSE.** Installez une soupape de sécurité pouvant laisser passer le plein débit de la pompe à 75 psi, comme illustré. Le corps de la pompe peut exploser si la pression interne dépasse 75 psi.

**⚠ MISE EN GARDE** **NE FAITES JAMAIS FONCTIONNER LA POMPE** **LORSQUE L'ORIFICE DE REFOULEMENT EST FERMÉ.** Cela pourrait faire bouillir l'eau à l'intérieur de la pompe et provoquer une pression dangereuse dans l'appareil, un risque d'explosion et l'ébouillantage éventuel des personnes manipulant la pompe.

- ◆ Le débit entrant doit être égal ou supérieur au débit minimum de la pompe, soit 6 gallons par minute; sinon, la pompe cessera de fonctionner. En règle générale, la pompe n'augmentera pas le débit dans le système.
- ◆ Un interrupteur de basse pression de sécurité est recommandé pour couper l'alimentation électrique de la pompe en cas de faible pression de refoulement causée par une buse obstruée, une interruption de l'alimentation en eau entrante, etc.
- ◆ Pour les instructions de réglage du pressostat, consultez l'étiquette qui se trouve à l'intérieur du couvercle du pressostat.
- ◆ Ce système peut être installé à l'intérieur ou à l'extérieur. Assurez-vous de choisir un emplacement de niveau, au sol ferme, bien drainé et à l'abri des intempéries et du gel.

1. Coupez l'alimentation en eau de la maison.
2. Installez le tuyau comme illustré (figures 6 et 7). Veillez à inclure des raccords et des robinets d'arrêt afin que l'unité de surpression puisse être retirée lors de l'entretien sans interrompre l'alimentation en eau de la maison.

Un clapet de non-retour à ressort en amont du système de surpression et un interrupteur de basse pression en aval de celui-ci sont recommandés. Vous pouvez remplacer le pressostat standard par un pressostat doté d'un interrupteur de basse pression.

3. Utilisez du ruban d'étanchéité pour filetage de tuyau en PTFE sur tous les joints filetés afin de prévenir les fuites.
4. Consultez la section « Électricité » pour plus de renseignements sur les raccordements.

## TABLEAU I : RÉGLAGE DU PRESSOSTAT DU SYSTÈME DE SURPRESSION

SI LA PRESSON D'ENTRÉE MINIMALE DU SYSTÈME EST	UTILISEZ UN PRESSOSTAT D'UNE PRESSON NOMINALE DE	RÉGLEZ LA PRÉCHARGE DU RÉSERVOIR À
inférieure à 20 psi	20/40; réglez la pression d'enclenchement à 20 psi	18 psi
de 20 à 30 psi	30/50; réglez la pression d'enclenchement à 30 psi	28 psi
de 30 à 40 psi	40/60; réglez la pression d'enclenchement à 40 psi	38 psi

### COMPOSANTS FOURNIS PAR L'UTILISATEUR

Interrupteur de basse pression (1)	Manomètre (1)
Clapets de non-retour (2)	Raccords (3)
Robinet à vanne (2)	Coude (1)
Soupape de sécurité (1)	Raccords en T (2)
	Tuyauterie



## PARAMÈTRES DU COMMUTATEUR DE MOTEUR

### ⚠ DÉBRANCHEZ L'ALIMENTATION AVANT DE TRAVAILLER SUR LA POMPE, LE MOTEUR, LE PRESSOSTAT OU LE CÂBLAGE.

- ◆ Les moteurs à double tension (moteurs pouvant fonctionner sous une tension de 115 ou 230 volts) sont réglés en usine à 230 volts. Ne modifiez pas le réglage de la tension du moteur si la tension de secteur est de 230 volts, ou si vous avez un moteur à tension unique.
- ◆ Ne câblez jamais un moteur de 115 volts à une alimentation de 230 volts.
- ◆ Effectuez le câblage des moteurs blindés à ventilation extérieure conformément au schéma de câblage figurant dans le boîtier de raccordement du moteur. Assurez-vous que le moteur est branché selon la bonne tension de secteur.
- ◆ Effectuez le câblage des moteurs triphasés conformément au schéma de câblage figurant sur le moteur. Assurez-vous que le moteur est branché selon la bonne tension de secteur.

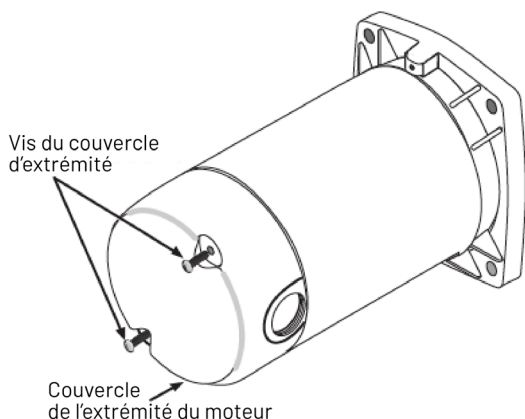


Figure 8 : Retrait du couvercle d'extrémité

## SÉLECTEUR DE TENSION À CADRAN

Si vous avez un moteur à double tension, et que vous le branchez sur une tension de 115 volts, suivez la procédure ci-dessous.

**⚠ MISE EN GARDE TENSION DANGEREUSE.** Peut causer un choc électrique, des brûlures ou la mort. Raccordez le fil de terre avant de raccorder les fils d'alimentation. Utilisez la taille de fil (y compris le fil de terre) indiquée dans le tableau de câblage. Si possible, raccordez la pompe à un circuit de dérivation distinct qui n'alimente aucun autre appareil.

1. Assurez-vous que l'alimentation est coupée.
2. Retirez le couvercle d'extrémité du moteur pour modifier le réglage de la tension (figure 8).
3. Tournez le cadran dans le sens inverse des aiguilles d'une montre jusqu'à ce que le nombre 115 soit affiché dans la fenêtre du cadran.
4. Fixez les fils du câble d'alimentation aux bornes destinées au câble d'alimentation. Assurez-vous que les fils tiennent solidement.
5. Fixez le fil de terre à la vis de terre verte.
6. Réinstallez le couvercle d'extrémité du moteur. Allez à la section « Raccords de câblage » ci-dessous

**⚠ MISE EN GARDE RISQUE D'EXPLOSION.** Ne pas mettre à la terre sur une conduite d'alimentation en gaz.

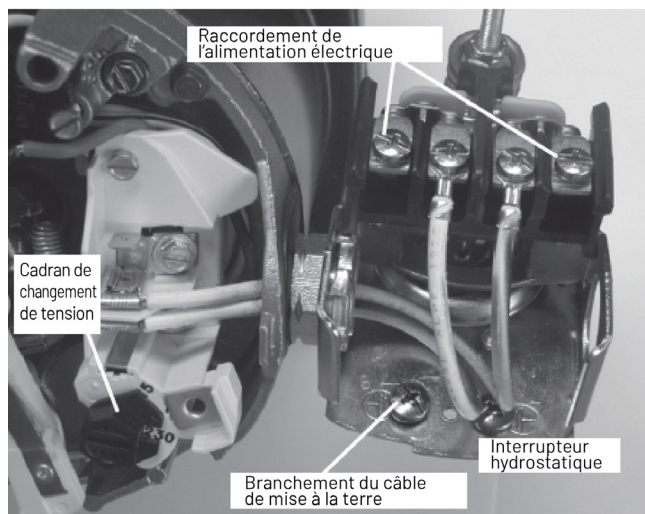


Figure 9 : Cadran de réglage de la tension



# ÉLECTRICITÉ

## RACCORDS DE CÂBLAGE

**⚠ MISE EN GARDE** **RISQUE D'INCENDIE.** Une tension incorrecte pourrait causer un incendie ou endommager sérieusement le moteur, et annule la garantie. La tension d'alimentation doit se situer à  $\pm 10\%$  de la tension indiquée sur la plaque signalétique du moteur.

- ◆ Les moteurs à double tension sont configurés par défaut pour une tension de 230 volts. Si nécessaire, reconfigurez le moteur pour une tension de 115 volts, comme illustré. Ne modifiez pas le câblage des moteurs à simple tension.
- ◆ Installez, mettez à la terre, câblez et entretenez votre pompe en respectant les directives du Code national de l'électricité des États-Unis (CNE) ou du Code canadien de l'électricité (CCE), selon le cas, ainsi que tous les codes et ordonnances locaux applicables. Consultez votre inspecteur des bâtiments local pour plus de renseignements sur les codes.

## PROCÉDURE DE RACCORDEMENT

1. Raccordez d'abord le fil de terre (figure 9). Le fil de terre doit être un fil en cuivre massif ayant un diamètre équivalent ou supérieur à celui des fils d'alimentation.
2. Un raccordement métallique solide doit exister entre le pressostat et le moteur pour la protection de la mise à la terre du moteur. Si le pressostat n'est pas raccordé au moteur, raccordez la vis de masse verte du pressostat à la vis de masse verte située sous le couvercle d'extrémité du moteur. Utilisez un fil en cuivre massif ayant un diamètre équivalent ou supérieur à celui des fils d'alimentation.
3. Raccordez le fil de terre à un fil mis à la terre dans un panneau de service, à une conduite d'eau souterraine en métal, à un tubage de puits en métal d'une longueur d'au moins dix pieds (trois mètres) ou à une électrode de terre fournie par le fournisseur d'électricité ou le fournisseur hydroélectrique.
4. Raccordez les fils d'alimentation au pressostat comme illustré à la figure 9.

## TABLEAU DE CÂBLAGE – TAILLES DE FILS ET DE FUSIBLES RECOMMANDÉES

### SÉRIES SN, FN, PN ET HR

HP DU MOTEUR	VOLTS	INTENSITÉ DE LA CHARGE MAXIMALE	VALEUR NOMINALE DU FUSIBLE (INTENSITÉ)	DISTANCE EN PIEDS (MÈTRES) DU MOTEUR À L'ALIMENTATION			
				0 À 100 (0 À 30)	101 À 200 (31 À 61)	201 À 300 (62 À 91)	301 À 400 (92 À 122)
				TAILLE DES FILS AWG (MM <sup>2</sup> )			
1/2	115/230	8,5/4,3	15/15	14/14 (2/2)	12/14 (3/2)	10/14 (5,5/2)	8/14 (8,4/2)
3/4	115/230	11,4/5,7	20/15	14/14 (2/2)	10/14 (5,5/2)	8/14 (8,4/2)	6/12 (14/3)
1	115/230	12,2/6,1	25/15	12/14 (3/2)	8/14 (8,4/2)	8/14 (8,4/2)	6/12 (14/3)
1 1/2	115/230	18,4/9,2	30/20	10/14 (5,5/2)	8/14 (8,4/2)	6/12 (14/3)	4/10 (21/5,5)

### SÉRIE HN

HP DU MOTEUR	VOLTS	INTENSITÉ DE LA CHARGE MAXIMALE	VALEUR NOMINALE DU FUSIBLE (INTENSITÉ)	DISTANCE EN PIEDS (MÈTRES) DU MOTEUR À L'ALIMENTATION			
				0 À 100 (0 À 30)	101 À 200 (31 À 61)	201 À 300 (62 À 91)	301 À 400 (92 À 122)
				TAILLE DES FILS AWG (MM <sup>2</sup> )			
1/2	115/230	11,4/5,7	20/15	14/14 (2/2)	10/14 (5,5/2)	8/14 (8,4/2)	6/12 (14/3)
3/4	115/230	12,2/6,1	25/15	12/14 (3/2)	8/14 (8,4/2)	8/14 (8,4/2)	6/12 (14/3)
1	115/230	18,4/9,2	30/20	10/14 (5,5/2)	8/14 (8,4/2)	6/12 (14/3)	4/10 (21/5,5)

# ELECTRICAL

## TABLEAU DE CÂBLAGE – TAILLES DE FILS ET DE FUSIBLES RECOMMANDÉES

### SÉRIE CJ

HP	VOLTS	INTENSITÉ DE LA CHARGE MAXIMALE	VALEUR NOMINALE DU FUSIBLE (INTENSITÉ)	DISTANCE EN PIEDS (MÈTRES) DU MOTEUR À L'ALIMENTATION			
				0 À 100 (0 À 30)	101 À 200 (31 À 61)	201 À 300 (62 À 91)	301 À 400 (92 À 122)
				TAILLE DES FILS AWG (MM <sup>2</sup> )			
1	115/230	14,8 / 7,4	20/15	12/14 (3/2)	8/14 (8,4/2)	6/14 (14/2)	6/12 (14/3)
1-1/2	115/230	19,2 / 9,6	25/15	10/14 (5,5/2)	8/14 (8,4/2)	6/12 (14/3)	4/10 (21/5,5)

### SÉRIE SJH

HP	VOLTS	INTENSITÉ DE LA CHARGE MAXIMALE	VALEUR NOMINALE DU FUSIBLE (INTENSITÉ)	DISTANCE EN PIEDS (MÈTRES) DU MOTEUR À L'ALIMENTATION			
				0 À 100 (0 À 30)	101 À 200 (31 À 61)	201 À 300 (62 À 91)	301 À 400 (92 À 122)
				TAILLE DES FILS AWG (MM <sup>2</sup> )			
3/4	115/230	14,8/7,4	20/15	12/14 (3/2)	8/14 (8,4/2)	6/14 (14/2)	6/12 (14/3)
1	115/230	19,2/9,6	25/15	10/14 (5,5/2)	8/14 (8,4/2)	6/12 (14/3)	4/10 (21/5,5)

### SÉRIE HJ

HP	VOLTS	INTENSITÉ DE LA CHARGE MAXIMALE	VALEUR NOMINALE DU FUSIBLE (INTENSITÉ)	DISTANCE EN PIEDS (MÈTRES) DU MOTEUR À L'ALIMENTATION			
				0 À 100 (0 À 30)	101 À 200 (31 À 61)	201 À 300 (62 À 91)	301 À 400 (92 À 122)
				TAILLE DES FILS AWG (MM <sup>2</sup> )			
1/2	115/230	11,2/5,6	20/15	12/14 (3/2)	10/14 (5,5/2)	8/14 (8,4/2)	6/12 (14/3)
3/4	115/230	14,8/7,4	20/15	12/14 (3/2)	8/14 (8,4/2)	6/14 (14/2)	6/12 (14/3)
1	115/230	18,6/9,3	25/15	10/14 (5,5/2)	8/14 (8,4/2)	6/12 (14/3)	4/10 (21/5,5)

### SÉRIE QD

HP	VOLTS	INTENSITÉ DE LA CHARGE MAXIMALE	VALEUR NOMINALE DU FUSIBLE (INTENSITÉ)	DISTANCE EN PIEDS (MÈTRES) DU MOTEUR À L'ALIMENTATION			
				0 À 100 (0 À 30)	101 À 200 (31 À 61)	201 À 300 (62 À 91)	301 À 400 (92 À 122)
				TAILLE DES FILS AWG (MM <sup>2</sup> )			
1/2	115/230	8,4/4,2	15/15	14/14 (2/2)	12/14 (3/2)	10/14 (5,5/2)	8/14 (8,4/2)
3/4	115/230	10,5/5,7	20/15	14/14 (2/2)	10/14 (5,5/2)	8/14 (8,4/2)	6/12 (14/3)
1	115/230	12,6/6,3	25/15	12/14 (3/2)	8/14 (8,4/2)	8/14 (8,4/2)	6/12 (14/3)

## MISE EN SERVICE DE LA POMPE

### PRÉPARATION À LA MISE EN SERVICE DE LA POMPE

**⚠ ATTENTION NE FAITES JAMAIS FONCTIONNER LA POMPE À SEC.** Le fonctionnement de la pompe sans eau peut entraîner une surchauffe de la pompe, endommager le joint d'étanchéité et éventuellement causer des brûlures aux personnes qui manipulent la pompe. Remplissez la pompe avec de l'eau avant de la démarrer.

**⚠ MISE EN GARDE NE FAITES JAMAIS FONCTIONNER LA POMPE LORSQUE L'ORIFICE DE REFOULEMENT EST FERMÉ.** Cela pourrait faire bouillir l'eau à l'intérieur de la pompe et provoquer une pression dangereuse dans l'appareil, un risque d'explosion et l'ébouillantage éventuel des personnes manipulant la pompe.

1. Retirez le bouchon d'amorçage du raccord en T d'amorçage et remplissez la pompe. Remplissez toute la tuyauterie entre la pompe et le puits et assurez-vous que la tuyauterie dans le puits est pleine. Si un raccord d'amorçage a également été installé sur le tuyau d'aspiration, retirez le bouchon du raccord et remplissez les tuyaux d'aspiration.
2. Remplacez tous les bouchons de remplissage.
3. Mettez la pompe sous tension. Démarrez la pompe. Si après deux ou trois minutes il n'y a toujours pas d'eau, arrêtez la pompe et retirez les bouchons de remplissage.

Remplissez à nouveau la pompe et la tuyauterie. Vous devez peut-être répéter cette opération plusieurs fois afin d'évacuer tout l'air emprisonné dans les tuyaux. Une pompe qui soulève de l'eau à 25 pieds peut nécessiter jusqu'à 15 minutes pour s'amorcer.

4. Une fois que la pression a augmenté dans le système et après l'arrêt de la pompe, vérifiez le fonctionnement du pressostat en ouvrant un ou deux robinets et en faisant couler suffisamment d'eau pour évacuer la pression jusqu'à ce que la pompe démarre. La pompe doit démarrer lorsque la pression chute à 30 psi et s'arrêter lorsque la pression atteint 50 psi.
5. Faites fonctionner la pompe pendant un ou deux cycles complets pour vous assurer de son bon fonctionnement. Cela permettra également de libérer la saleté et le tartre délogés pendant l'installation.

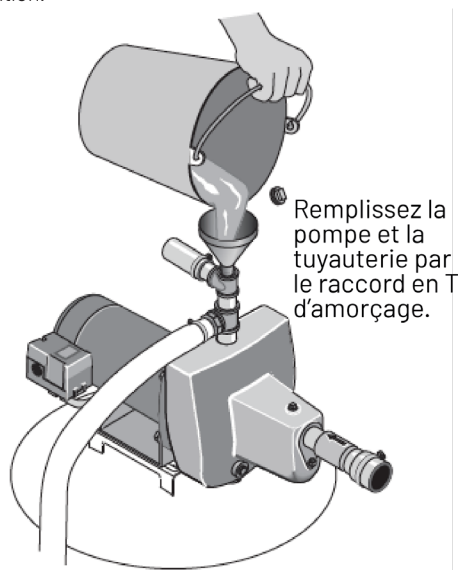


Figure 10 : Amorçage de la pompe

### NETTOYAGE DE LA BUSE (BASSE PRESSION)

Utilisez un pic à glace ou une alêne pour nettoyer la buse - diamètre maximal de 3/16 po (figure 11). **N'AGRANDISSEZ PAS** l'orifice de la buse. Utilisez un ruban d'étanchéité pour filetage de tuyaux en PTFE sur le bouchon pour en assurer l'étanchéité lors du réassemblage.

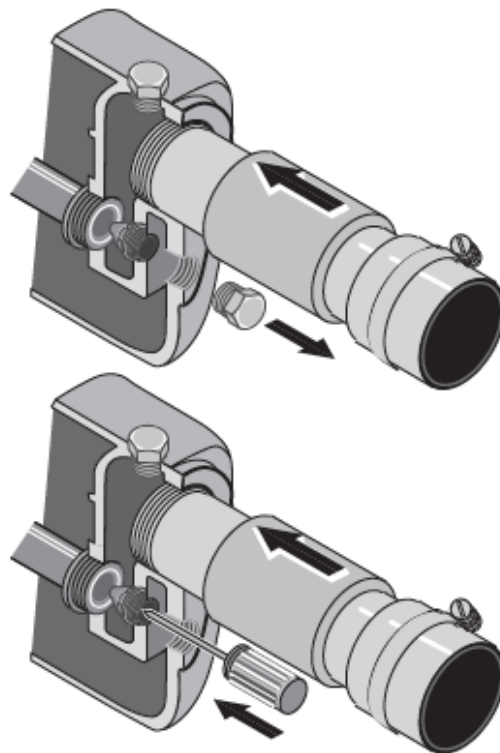
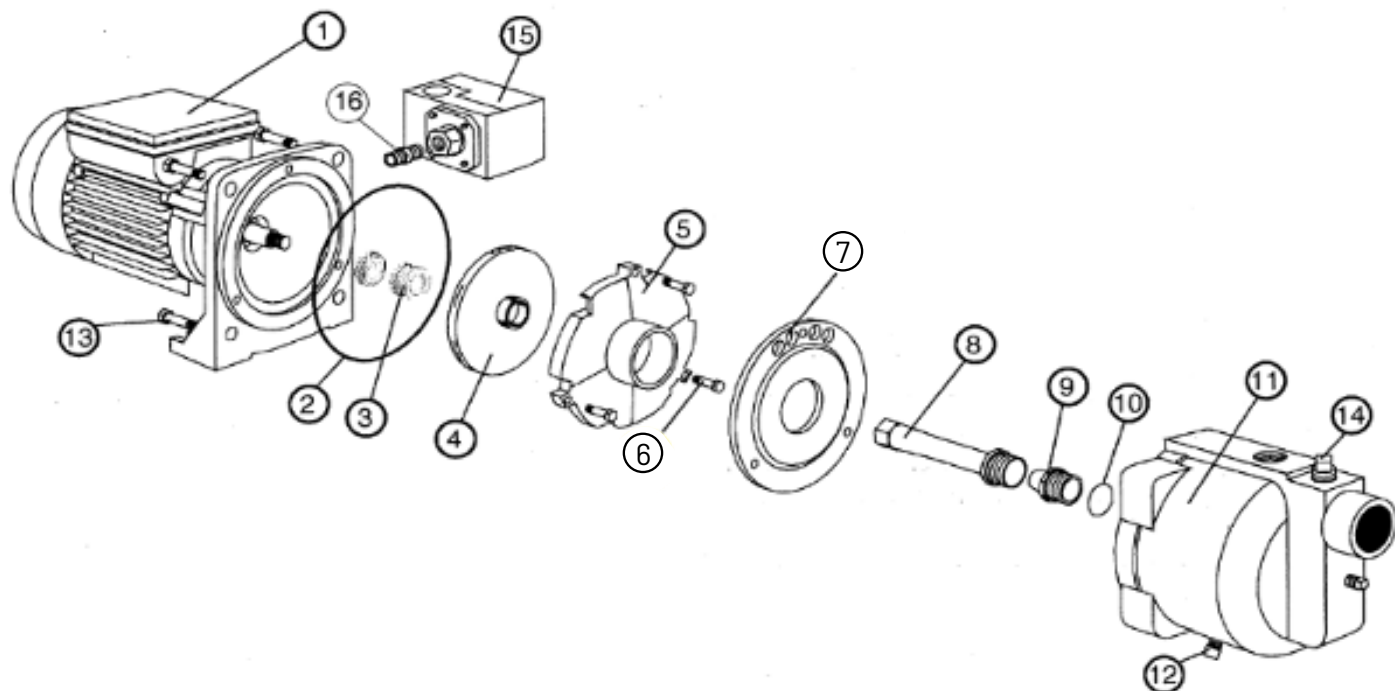


Figure 11 : Nettoyage de la buse

# DÉPANNAGE

SYMPTÔME	CAUSE(S) POSSIBLE(S)	MESURE CORRECTIVE
Le moteur ne fonctionne pas	<p>Le sectionneur est en position d'arrêt Le fusible est grillé ou le disjoncteur s'est déclenché L'interrupteur de démarrage est défectueux Les fils du moteur sont lâches, déconnectés ou ne sont pas correctement câblés Les contacts du pressostat sont sales</p>	<p>Assurez-vous que l'interrupteur est en position de marche. Remplacez le fusible ou réinitialisez le disjoncteur. DÉBRANCHEZ L'ALIMENTATION; remplacez l'interrupteur de démarrage. Consultez les instructions relatives au câblage (page 8). DÉBRANCHEZ L'ALIMENTATION; vérifiez et resserrez tous les câblages.</p> <p><b>⚠ MISE EN GARDE</b> La tension du condensateur peut être dangereuse. Pour décharger le condensateur, tenez le tournevis à manche isolé PAR LE MANCHE et effectuez un court-circuit des bornes du condensateur. Ne touchez pas la lame métallique du tournevis ni les bornes du condensateur. En cas de doute, consultez un électricien qualifié.</p> <p>DÉBRANCHEZ L'ALIMENTATION et limez les contacts avec une lime émeri ou une lime à ongles.</p>
Le moteur surchauffe et la surcharge se déclenche	<p>Le moteur n'est pas correctement câblé La tension est trop faible Les cycles de pompage sont trop fréquents</p>	<p>Consultez les instructions relatives au câblage. Effectuez des vérifications auprès du fournisseur d'électricité. Installez des fils de plus fort calibre si le calibre des fils est trop faible (voir le tableau électrique/de câblage).</p> <p>Voir la section ci-dessous sur les cycles trop fréquents.</p>
Le moteur fonctionne, mais il n'y a pas d'eau*  *(Remarque : Arrêtez la pompe et vérifiez l'amorçage avant de rechercher d'autres causes. Dévissez le bouchon d'amorçage et vérifiez s'il y a de l'eau dans le trou d'amorçage.)	<p>L'amorçage de la pompe de la nouvelle installation n'a pas réussi en raison de :</p> <ol style="list-style-type: none"> <li>1. Amorçage incorrect</li> <li>2. Fuite d'air</li> <li>3. Fuite du clapet de pied ou du clapet de non-retour</li> </ol> <p>La pompe a perdu son amorçage en raison de :</p> <ol style="list-style-type: none"> <li>1. Air leaks</li> <li>2. Niveau d'eau inférieur à l'entrée du tuyau d'aspiration</li> </ol> <p>Le clapet de pied ou la crépine est obstrué L'éjecteur ou l'impulseur est obstrué Le clapet de non-retour ou le clapet de pied est coincé Les tuyaux sont gelés Le clapet de pied et/ou la crépine sont recouverts de sable ou de boue Le niveau d'eau est trop bas pour que le puits peu profond puisse fournir de l'eau</p>	<p>Dans la nouvelle installation :</p> <ol style="list-style-type: none"> <li>1. Réamorcez selon les instructions.</li> <li>2. Enduisez d'eau savonneuse ou de mousse à raser tous les raccords de la conduite d'aspiration, du RVA et de l'éjecteur.</li> <li>3. Remplacez le clapet de pied ou le clapet de non-retour.</li> </ol> <p>Dans une installation actuellement en service :</p> <ol style="list-style-type: none"> <li>1. Vérifiez tous les raccords sur la ligne d'aspiration et le joint d'étanchéité de l'arbre.</li> <li>2. Descendez la ligne d'aspiration dans l'eau et réamorcez. Si le niveau d'eau du puits se situe à une profondeur dépassant 25 pi (7,6 m), une pompe de puits profond est nécessaire.</li> </ol> <p>Nettoyez le clapet de pied ou la crépine. Nettoyez l'éjecteur ou l'impulseur. Remplacez le clapet de non-retour ou le clapet de pied. Faites dégeler les tuyaux. Enterrez les tuyaux sous le seuil du gel. Réchauffez la fosse ou le boîtier de la pompe. Soulevez le clapet de pied et/ou la crépine au-dessus du fond de la source d'eau. Nettoyez le clapet de pied et la crépine. Une trousse de jet pour puits profond pourrait être nécessaire (plus de 25 pieds jusqu'à l'eau) pour acheminer l'eau.</p>
La pompe n'achemine pas l'eau au maximum de sa capacité	<p>Le niveau d'eau du puits est plus bas que prévu La tuyauterie en acier (si utilisée) est corrodée ou recouverte de dépôts calcaires, ce qui cause une friction excessive La tuyauterie est de trop petite taille Pointe filtrante engorgée</p>	<p>Un jet de puits profond sera nécessaire si l'eau se trouve à plus de 25 pi (7,6 m) de profondeur. Remplacez ces pièces par des tuyaux en plastique, si possible, ou par des tuyaux neufs en acier.</p> <p>Utilisez une tuyauterie de plus grande taille. Rincez la pointe filtrante à contre-courant, ou installez une nouvelle pointe filtrante.</p>
La pompe achemine de l'eau, mais ne s'arrête pas ou effectue des cycles trop fréquents	<p>Le pressostat est déréglé ou les contacts sont soudés ensemble Les robinets ont été laissés ouverts Le venturi, la buse ou la roue sont obstrués Le réservoir de pression standard est saturé d'eau et n'a pas de coussin d'air Les tuyaux fuient Les clapets de pied fuient La charge d'air est trop faible dans le réservoir préchargé</p>	<p>DÉBRANCHEZ L'ALIMENTATION; réglez le pressostat ou remplacez-le. Fermez les robinets. Nettoyez le venturi, la buse ou l'impulseur. Vidangez le réservoir vers l'orifice de régulation du volume d'air. Assurez-vous que le RVA ne présente aucune défectuosité. Assurez-vous qu'il n'y a pas de fuites d'air au niveau des connexions. Vérifiez les connexions. Remplacez le clapet de pied.</p> <p>DÉBRANCHEZ L'ALIMENTATION et ouvrez les robinets jusqu'à ce que toute la pression soit évacuée. Au moyen d'un manomètre, vérifiez la pression d'air dans le réservoir au niveau de la tige de soupape située sur le réservoir. Si la pression est inférieure au réglage d'enclenchement du pressostat (30 à 50 psi), pompez de l'air dans le réservoir depuis une source extérieure jusqu'à ce que la pression d'air soit inférieure de 2 psi au réglage d'enclenchement du pressostat. Vérifiez l'étanchéité de la soupape d'air (utilisez une solution savonneuse) et remplacez le noyau au besoin.</p>
De l'air jaillit des robinets	<p>La pompe fonctionne trop rapidement Fuite du côté aspiration de la pompe Le puits est gazeux Pompage excessif intermittent du puits. (L'eau est aspirée en dessous du clapet de pied).</p>	<p>Lorsque la pompe est amorcée, elle doit pomper une eau exempte d'air. Le tuyau d'aspiration aspire de l'air. Vérifiez l'étanchéité des joints avec de l'eau savonneuse. Communiquez avec l'usine au sujet de l'installation d'un manchon dans le puits Abaissez le clapet de pied si possible, sinon limitez le débit de la pompe</p>

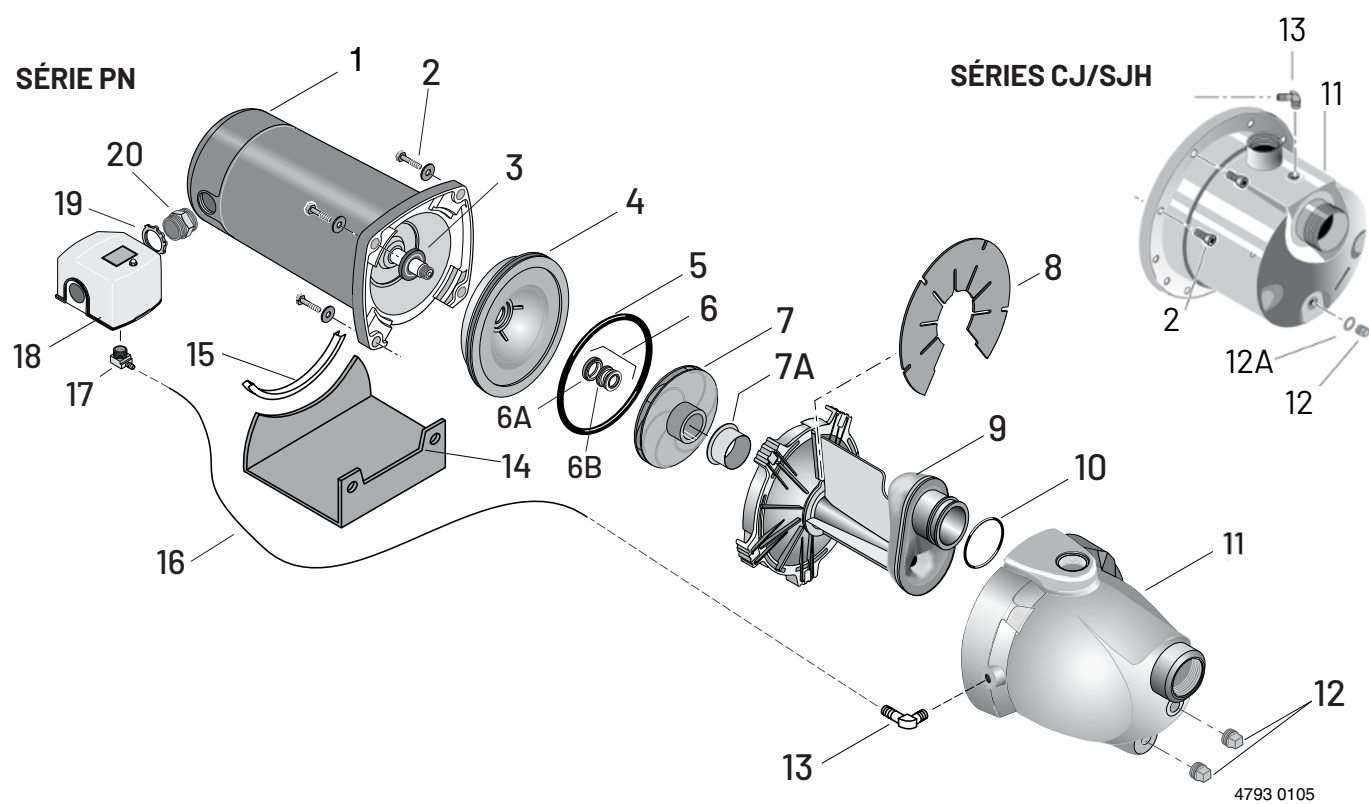
## NOMENCLATURE DES PIÈCES - SÉRIE QD



### MODÈLES MYERS

NUMÉRO	DESCRIPTION DE LA PIÈCE	QTÉ UTILISÉE	QD50S	QD75S	QD100S
			1/2 HP	3/4 HP	1 HP
1	Moteur avec plaque d'étanchéité	1	26635D022K	26636D022	26637D022
2	Joint de plaque d'étanchéité	1	05014A157	05014A157	05014A157
3	Joint d'étanchéité de l'arbre	1	14525A000K	14525A000K	14525A000K
4	Impulseur - Plastique	1	16622B010	19196B014	19196B014
4	Impulseur - Laiton	1	17682B003K	-	-
5	Diffuseur	1	12371B060	14379B001	14379B001
6	Vis du diffuseur	3	19099A014	19099A014	19099A014
7	Défecteur d'amorçage	1	13069B500	13069B501	13069B501
8	Venturi	1	26538A500	26538A560	26538A650
9	Buse	1	08546A358	08546A290	08546A290
10	Joint torique de la buse	1	05876A003	05876A003	05876A003
11	Corps de la pompe	1	18622D550	18622D550	18622D550
12	Bouchon de vidange - Tête hexagonale de 1/4 po	2	05022A092	05022A092	05022A092
13	Vis à tête hexagonale - 3/8 po - 16 x 1 po de longueur	4	19101A009	19101A009	19101A009
14	Bouchon de tuyau, 1/2 po NPT	1	05022A039	05022A039	05022A039
15	Pressostat	1	U217-1218	U217-1218	U217-1218
16	Raccord coudé barbelé - 90° - 1/4 po NPT	1	27083A000	27083A000	27083A000

# NOMENCLATURE DES PIÈCES - SÉRIES PN ET CJ/SJH



§ Quincaillerie courante, à acheter près de chez vous.

# NOMENCLATURE DES PIÈCES – SÉRIES PN ET CJ/SJH

## MODÈLES STA-RITE

NUMÉRO	DESCRIPTION DE LA PIÈCE	QTÉ	PNC-10	PND-10	PNE-10	CJ90E	CJ90F
			1/2 HP	3/4 HP	1 HP	1 HP	1 1/2 HP
1	Moteur	1	J218-1651	J218-1652	J218-1653	J218-1006	J218-1007
2	Vis d'assemblage hexagonale - 3/8 po - 16 x 2 po de longueur	4	U30-78ZP	U30-78ZP	U30-78ZP	-	-
2	** Vis à tête hexagonale - 3/8 po - 16 x 1 po	2	-	-	-	U30-74SS	U30-74SS
2	Vis, tête creuse	8	-	-	-	121P0310	121P0310
*	Écrou - M6-X1 SS	8	-	-	-	U36-207SS	U36-207SS
3	Défecteur d'eau	1	17351-0009	17351-0009	17351-0009	C69-7	C69-7
4	Plaque d'étanchéité	1	N3-15P	N3-15P	N3-15P	784S0070	784S0070
5	Joint de la plaque d'étanchéité	1	U9-390	U9-390	U9-390	111P0490	111P0490
6	Joint d'étanchéité de l'arbre	1	U109-6B	U109-6B	U109-6B	-	-
6A	Face stationnaire du joint d'étanchéité de l'arbre	1	-	-	-	111P0510	111P0510
6B	Face rotative du joint d'étanchéité de l'arbre	1	-	-	-	111P0500	111P0500
7	Impulseur	1	J105-40PNB	J105-42PNB	J105-22PB	101P1720	101P1730
7A	Collerette d'étanchéité flottante	1	N23-12SS	N23-12SS	N23-12SS	-	-
8	Défecteur d'amorçage	1	U97-153P	U97-153P	U97-153P	-	-
9	Ensemble diffuseur/venturi/buse	1	N101-30PA	N101-30P	N101-29P	101P2900	101P2900
10	Joint torique de la buse	1	U9-449	U9-449	U9-449	111P1100	111P1100
11	Corps de la pompe - Ensemble	1	N76-46P	N76-46P	N76-46P	723S0850	723S0850
12	Bouchon de tuyau - 1/4 po	( )	WC78-40T (2)	WC78-40T (2)	WC78-40T (2)	-	-
12	Bouchon de tuyau - Acier inoxydable	( )	-	-	-	121P6090 (1)	121P6090 (1)
12A	Rondelle de bouchon de tuyau	1	-	-	-	111P0990	111P0990
13	Raccord coudé barbelé - 90° - 1/4 po NPT	1	U111-212T	U111-212T	U111-212T	-	-
13	Coude à compression - 90°	1	-	-	-	171P4750	171P4750
14	Base	1	J104-9F	J104-9F	J104-9F	C4-42P	C4-42P
15	Coussinet en caoutchouc	1	C35-5S	C35-5S	C35-5S	-	-
16	Tube de 1/4 po de diamètre intérieur	1	U37-670P	U37-669P	U37-669P	U37-671P	U37-673P
17	Raccord coudé barbelé - 90° - 1/4 po NPT	1	-	-	-	U111-212T	-
18	Pressostat	1	U217-1202	U217-1202	U217-1202	U217-1217	U217-1204
19	Contre-écrou - 1/2 po	1	U36-112ZP	U36-112ZP	U36-112ZP	U36-112ZP	U36-112ZP
20	Raccord	1	L43-5C	L43-5C	L43-5C	L43-5C	L43-5C
Trousse d'étanchéité (Comprend 3, 5 et 6)			PP1530	PP1530	PP1530	-	-

\* Non illustré

\*\* Deux fentes reliant le moteur à la base uniquement

# NOMENCLATURE DES PIÈCES – SÉRIES PN ET CJ/SJH

## MODÈLES BERKELEY

NUMÉRO	DESCRIPTION DE LA PIÈCE	QTÉ	5PN-10	7PN-10	10PN-10	07SJH11C	10SJH11C
			1/2 HP	3/4 HP	1 HP	3/4 HP	1 HP
1	Moteur	1	J218-1651	J218-1652	J218-1653	J218-1006	J218-1007
2	Vis d'assemblage hexagonale - 3/8 po - 16 x 2 po de longueur	4	U30-78ZP	U30-78ZP	U30-78ZP	-	-
2	** Vis à tête hexagonale - 3/8 po - 16 x 1 po de longueur	2	-	-	-	U30-74SS	U30-74SS
2	Vis, tête creuse	8	-	-	-	121P0310	121P0310
*	Écrou - M6-X1 SS	8	-	-	-	U36-207SS	U36-207SS
3	Défecteur d'eau	1	17351-0009	17351-0009	17351-0009	C69-7	C69-7
4	Plaque d'étanchéité	1	N3-15P	N3-15P	N3-15P	784S0070	784S0070
5	Joint de plaque d'étanchéité	1	U9-390	U9-390	U9-390	111P0490	111P0490
6	Joint d'étanchéité de l'arbre	1	U109-6B	U109-6B	U109-6B	-	-
6A	Face stationnaire du joint d'étanchéité de l'arbre	1	-	-	-	111P0510	111P0510
6B	Face rotative du joint d'étanchéité de l'arbre	1	-	-	-	111P0500	111P0500
7	Impulseur	1	J105-40PNB	J105-42PNB	J105-22PB	101P1720	101P1730
7A	Collerette d'étanchéité flottante	1	N23-12SS	N23-12SS	N23-12SS	-	-
8	Défecteur d'amorçage	1	U97-153P	U97-153P	U97-153P	-	-
9	Ensemble diffuseur/venturi/buse	1	N101-30PA	N101-30P	N101-29P	101P2900	101P2900
10	Joint torique de la buse	1	U9-449	U9-449	U9-449	111P1100	111P1100
11	Corps de la pompe - Ensemble	1	N76-46P	N76-46P	N76-46P	723S0850	723S0850
12	Bouchon de tuyau - 1/4 po	( )	WC78-40T (2)	WC78-40T (2)	WC78-40T (2)	-	-
12	Bouchon de tuyau - Acier inoxydable	( )	-	-	-	121P6090 (1)	121P6090 (1)
12A	Rondelle de bouchon de tuyau	1	-	-	-	111P0990	111P0990
13	Raccord coudé barbelé - 90° - 1/4 po NPT	1	U111-212T	U111-212T	U111-212T	-	-
13	Coude à compression - 90°	1	-	-	-	171P4750	171P4750
14	Base	1	J104-9F	J104-9F	J104-9F	C4-42P	C4-42P
15	Coussinet en caoutchouc	1	C35-5S	C35-5S	C35-5S	-	-
16	Tube de 1/4 po de diamètre intérieur	1	U37-670P	U37-669P	U37-669P	U37-671P	U37-673P
17	Raccord coudé barbelé - 90° - 1/4 po NPT	1	-	-	-	U111-212T	U111-212T
18	Pressostat	1	U217-1202	U217-1202	U217-1202	U217-1217	U217-1217
19	Contre-écrou - 1/2 po	1	U36-112ZP	U36-112ZP	U36-112ZP	U36-112ZP	U36-112ZP
20	Raccord	1	L43-5C	L43-5C	L43-5C	L43-5C	L43-5C
Trousse d'étanchéité (Comprend 3, 5 et 6)			PP1530	PP1530	PP1530	-	-

\* Non illustré

\*\* Deux fentes reliant le moteur à la base uniquement



# NOMENCLATURE DES PIÈCES – SÉRIES PN ET CJ/SJH

## MODÈLES MYERS

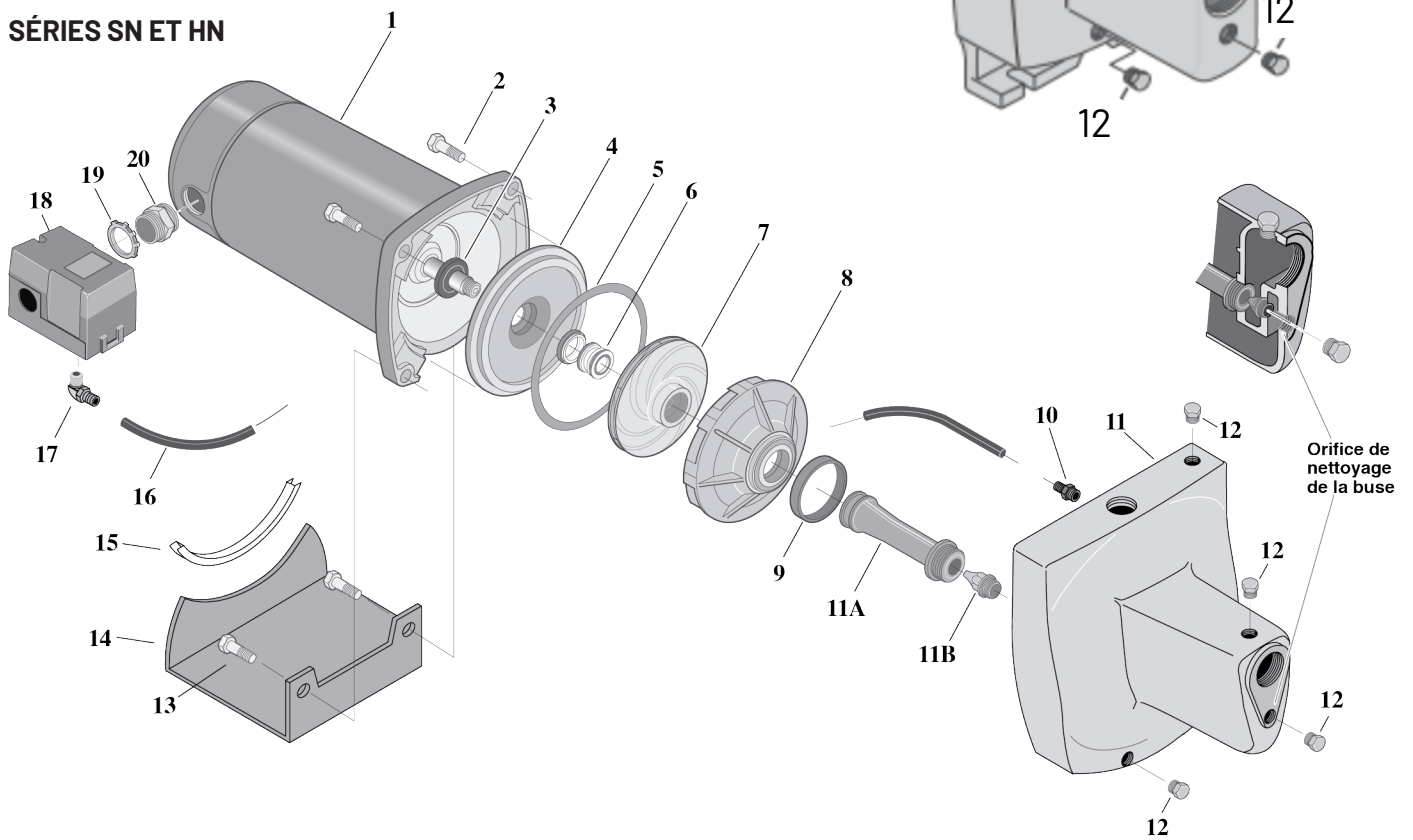
NUMÉRO	DESCRIPTION DE LA PIÈCE	QTÉ	MPNC-10	MPND-10	MPNE-10
			1/2 HP	3/4 HP	1 HP
1	Moteur	1	J218-1651	J218-1652	J218-1653
2	Vis d'assemblage hexagonale - 3/8 po - 16 x 2 po de longueur	4	U30-78ZP	U30-78ZP	U30-78ZP
2	** Vis à tête hexagonale - 3/8 po - 16 x 1 po de longueur	-	-	-	-
2	Vis, tête creuse	-	-	-	-
*	Écrou - M6-X1SS	-	-	-	-
3	Déflexeur d'eau	1	17351-0009	17351-0009	17351-0009
4	Plaque d'étanchéité	1	N3-15P	N3-15P	N3-15P
5	Joint de plaque d'étanchéité	1	U9-390	U9-390	U9-390
6	Joint d'étanchéité de l'arbre	1	U109-6B	U109-6B	U109-6B
6A	Face stationnaire du joint d'étanchéité de l'arbre	-	-	-	-
6B	Face rotative du joint d'étanchéité de l'arbre	-	-	-	-
7	Impulseur	1	J105-40PNB	J105-42PNB	J105-22PB
7A	Collerette d'étanchéité flottante	1	N23-12SS	N23-12SS	N23-12SS
8	Déflexeur d'amorçage	1	U97-153P	U97-153P	U97-153P
9	Ensemble diffuseur/venturi/buse	1	N101-30PA	N101-30P	N101-29P
10	Joint torique de la buse	1	U9-449	U9-449	U9-449
11	Corps de la pompe - Ensemble	1	N76-46P	N76-46P	N76-46P
12	Bouchon de tuyau - 1/4 po	( )	WC78-40T (2)	WC78-40T (2)	WC78-40T (2)
12	Bouchon de tuyau - Acier inoxydable	-	-	-	-
12A	Rondelle de bouchon de tuyau	-	-	-	-
13	Raccord coudé barbelé - 90° - 1/4 po NPT	1	U111-212T	U111-212T	U111-212T
13	Compression Elbow - 90°	-	-	-	-
14	Base	1	J104-9F	J104-9F	J104-9F
15	Coussinet en caoutchouc	1	C35-5S	C35-5S	C35-5S
16	Tube de 1/4 po de diamètre intérieur	1	U37-670P	U37-669P	U37-669P
17	Raccord coudé barbelé - 90° - 1/4 po NPT	-	-	-	-
18	Pressostat	1	U217-1202	U217-1202	U217-1202
19	Contre-écrou - 1/2 po	1	U36-112ZP	U36-112ZP	U36-112ZP
20	Raccord	1	L43-5C	L43-5C	L43-5C
Trousse d'étanchéité			PP1530	PP1530	PP1530
(Comprend 3, 5 et 6)					

\* Non illustré

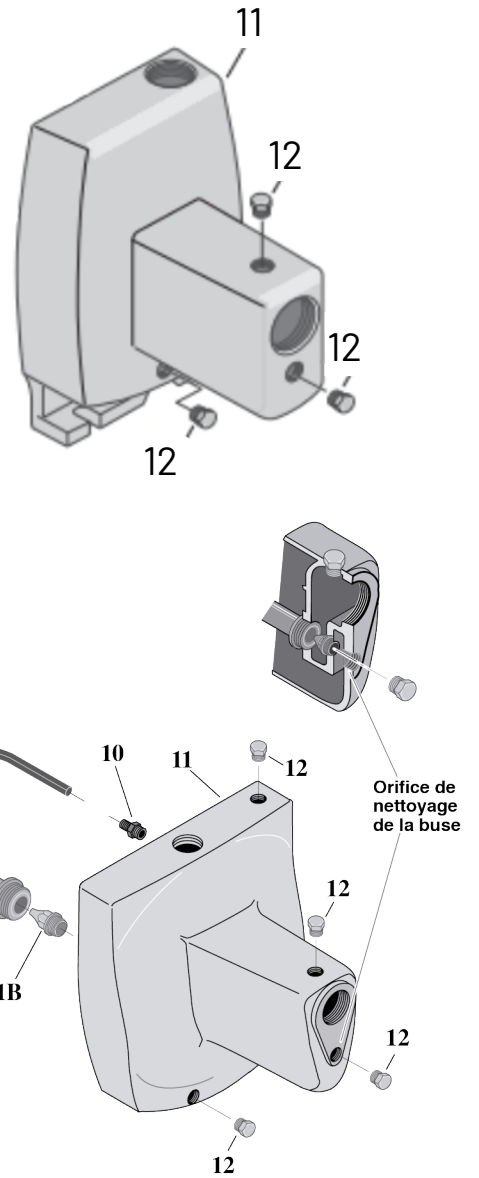
\*\* Deux fentes reliant le moteur à la base uniquement

# NOMENCLATURE DES PIÈCES – SÉRIES FN, SN ET HN

## SÉRIES SN ET HN



## SÉRIE FN



# NOMENCLATURE DES PIÈCES – SÉRIES FN, SN ET HN

## MODÈLES STA-RITE

NUMÉRO	DESCRIPTION DE LA PIÈCE	QTÉ	SNC-L	SNC-HF25L	SND-L	SNE-L
			1/2 HP	1/2 HP	3/4 HP	1 HP
1	Moteur	1	J218-1651	J218-1651	J218-1652	J218-1653
2	Vis d'assemblage hexagonale - 3/8 po - 16 x 1 1/4 po de longueur	4	U30-75ZP	U30-75ZP	U30-75ZP	-
2	Vis d'assemblage hexagonale - 3/8 po - 16 x 1 1/2 po de longueur	2	-	-	-	U30-76ZP
3	Défecteur d'eau	1	17351-0009	17351-0009	17351-0009	17351-0009
4	Plaque d'étanchéité	1	N3-9	N3-9	N3-9	L3-10
5	Joint de plaque d'étanchéité	1	N20-35N	N20-35N	N20-35N	C20-21N
6	Joint d'étanchéité de l'arbre	1	U109-6B	U109-6B	U109-6B	U109-6B
7	Impulseur	1	J105-40P	J105-40P	J105-42P	J105-8PAN
8	Diffuseur	1	L1-25P	L1-25P	L1-25P	L1-23P
9	Joint d'étanchéité du diffuseur	1	N20-34	N20-34	N20-34	-
*	Joint torique de diffuseur	1	-	-	-	U9-418
*	Vis du diffuseur	3	-	-	-	U30-489SS
10	Raccord rapide - 1/4 po NPT	1	U11-217P	U11-217P	U11-217P	U11-217P
10	Raccord barbelé - Droit - 1/4 po NPT	-	-	-	-	-
11	Corps de la pompe - Ensemble	1	N176-43KIT	N176-43KIT	N176-43KIT	N176-44KIT
11 A	Venturi	1	N32P-66	N32P-67	N32P-75	N32P-64
11B	Buse	1	N34P-17	N34P-17	N34P-21	J34P-44
12	Bouchon de tuyau - Tête hexagonale de 1/4 po NPT	( )	U78-941ZPV (3)	U78-941ZPV (3)	U78-941ZPV (3)	U78-941ZPV (4)
13	Vis d'assemblage hexagonale - 3/8 po - 16 x 1 1/4 po de longueur	2	-	-	-	U30-75ZP
14	Base	1	J104-9F	J104-9F	J104-9F	J4-9C
15	Coussinet en caoutchouc	1	C35-5S	C35-5S	C35-5S	C35-5S
16	Tube de 1/4 po de diamètre intérieur	1	U37-676P	U37-676P	U37-676P	U37-672P
17	Coude à raccord rapide - 1/4 po NPT	1	U11-218P	U11-218P	U11-218P	U11-218P
17	Raccord coudé barbelé - 90 ° - 1/4 po NPT	-	-	-	-	-
18	Pressostat	1	U217-1225	U217-1226	U217-1225	U217-1217
19	Contre-écrou - 1/2 po	1	U36-112ZP	U36-112ZP	U36-112ZP	U36-112ZP
20	Raccord	1	L43-5C	L43-5C	L43-5C	L43-5C
Trousse d'étanchéité (Comprend 3, 5, 6 et 9)			PP1550	PP1550	PP1550	PP1551
Trousse de restauration (Comprend 3, 5, 6, 7, 8 et 9)			PP1560	PP1560	PP1561	PP1563

\* Non illustré

# NOMENCLATURE DES PIÈCES – SÉRIES FN, SN ET HN

## MODÈLES STA-RITE

NUMÉRO	DESCRIPTION DE LA PIÈCE	QTÉ	SNF-L	HNC-L	HND-L	HNE-L	HNE-X
			1-1/2 HP	1/2 HP	3/4 HP	1 HP	1 HP
1	Moteur	1	J218-1655	J218-1652	J218-1653	J218-1655	J218-1655
2	Vis d'assemblage hexagonale – 3/8 po – 16 x 11/4 po de longueur	4	-	U30-75ZP	-	-	-
2	Vis d'assemblage hexagonale – 3/8 po – 16 x 11/2 po de longueur	2	U30-76ZP	-	U30-76ZP	U30-76ZP	U30-76ZP
3	Défecteur d'eau	1	17351-0009	17351-0009	17351-0009	17351-0009	17351-0009
4	Plaque d'étanchéité	1	L3-10	N3-9	L3-10	L3-10	L3-10
5	Joint de plaque d'étanchéité	1	C20-21N	N20-35N	C20-21N	C20-21N	C20-21N
6	Joint d'étanchéité de l'arbre	1	U109-6B	U109-6B	U109-6B	U109-6B	U109-6B
7	Impulseur	1	J105-22PA	J105-42P	J105-8PAN	J105-22PA	J105-8PAN
8	Diffuseur	1	L1-23P	L1-25P	L1-23P	L1-23P	L1-23P
9	Joint d'étanchéité du diffuseur	1	-	N20-34	-	-	-
*	Joint torique de diffuseur	1	U9-418	-	U9-418	U9-418	U9-418
*	Vis du diffuseur	3	U30-489SS	-	U30-489SS	U30-489SS	U30-489SS
10	Raccord rapide – 1/4 po NPT	1	U11-217P	U11-217P	U11-217P	U11-217P	U11-217P
10	Raccord cannelé – Droit – 1/4 po NPT	-	-	-	-	-	-
11	Corps de la pompe – Ensemble	1	N176-44KIT	N176-43KIT	N176-44KIT	N176-44KIT	N176-44KIT
11A	Venturi	1	N32P-65	N32P-75	N32P-64	N32P-65	N32P-65
11B	Buse	1	J34P-44	N34P-21	J34P-44	J34P-44	J34P-44
12	Bouchon de tuyau – Tête hexagonale de 1/4 po NPT	( )	U78-941ZPV (4)	U78-941ZPV (3)	U78-941ZPV (4)	U78-941ZPV (4)	U78-941ZPV (4)
13	Vis d'assemblage hexagonale – 3/8 po – 16 x 11/4 po de longueur	2	U30-75ZP	-	U30-75ZP	U30-75ZP	U30-75ZP
14	Base	1	J4-9C	J104-9F	J4-9C	J4-9C	J4-9C
15	Coussinet en caoutchouc	1	C35-5S	C35-5S	C35-5S	C35-5S	C35-5S
16	Tube de 1/4 po de diamètre intérieur	1	U37-672P	U37-676P	U37-672P	U37-672P	U37-672P
17	Coude à raccord rapide – 1/4 po NPT	1	U11-218P	U11-218P	U11-218P	U11-218P	U11-218P
17	Raccord coudé barbelé – 90° – 1/4 po NPT	-	-	-	-	-	-
18	Pressostat	1	U217-1225	U217-1217	U217-1217	U217-1217	U217-1217
19	Contre-écrou – 1/2 po	1	U36-112ZP	U36-112ZP	U36-112ZP	U36-112ZP	U36-112ZP
20	Raccord	1	L43-5C	L43-5C	L43-5C	L43-5C	L43-5C
Trousse d'étanchéité (Comprend 3, 5 et 6)			PP1551	PP1550	PP1551	PP1551	PP1551
Trousse de restauration (Comprend 3, 5, 6, 7, 8 et 9)			PP1564	PP1561	PP1563	PP1564	PP1563

\* Non illustré

# NOMENCLATURE DES PIÈCES – SÉRIES FN, SN ET HN

## MODÈLES STA-RITE

NUMÉRO	DESCRIPTION DE LA PIÈCE	QTÉ	HNFx	FNC-L	FSNCH-L	FND-L	FSNDH-L
			1-1/2 HP	1/2 HP	1/2 HP	3/4 HP	3/4 HP
1	Moteur	1	J218-1655	J218-1651	J218-1651	J218-1652	J218-1652
2	Vis d'assemblage hexagonale – 3/8 po – 16 x 1 1/4 po de longueur	4	-	U30-75ZP	U30-75ZP	U30-75ZP	U30-75ZP
2	Vis d'assemblage hexagonale – 3/8 po – 16 x 1 1/2 po de longueur	2	U30-76ZP	-	-	-	-
3	Déflexeur d'eau	1	17351-0009	17351-0009	17351-0009	17351-0009	17351-0009
4	Plaque d'étanchéité	1	L3-10	N3-9	N3-9	N3-9	N3-9
5	Joint de plaque d'étanchéité	1	C20-21N	N20-35N	N20-35N	N20-35N	N20-35N
6	Joint d'étanchéité de l'arbre	1	U109-6B	U109-6B	U109-6B	U109-6B	U109-6B
7	Impulseur	1	J105-22PA	J105-40PH	J105-40P	J105-42P	J105-42P
8	Diffuseur	1	L1-23P	L1-25P	L1-25P	L1-25P	L1-25P
9	Joint d'étanchéité du diffuseur	1	-	N20-34	N20-34	N20-34	N20-34
*	Joint torique de diffuseur	1	U9-418	-	-	-	-
*	Vis du diffuseur	3	U30-489SS	-	-	-	-
10	Raccord rapide – 1/4 po NPT	1	U11-217P	-	-	-	-
10	Raccord barbelé – Droit – 1/4 po NPT	1	-	U111-211T	U111-211T	U111-211T	U111-211T
11	Corps de la pompe – Ensemble	1	N176-44KIT	N176-38	N176-38	N176-38F	N176-38F
11A	Venturi	1	N32P-65	N32P-66	N32P-66	N32P-75	N32P-75
11B	Buse	1	J34P-44	N34P-17	N34P-17	N34P-21	N34P-21
12	Bouchon de tuyau – Tête hexagonale de 1/4 po NPT	( )	U78-941ZPV (4)	U78-941ZPV (3)	U78-941ZPV (4)	U78-941ZPV (3)	U78-941ZPV (4)
13	Vis d'assemblage hexagonale – 3/8 po – 16 x 1 1/4 po de longueur	2	U30-75ZP	-	-	-	-
14	Base	1	J4-9C	-	-	-	-
15	Coussinet en caoutchouc	1	C35-5S	-	-	-	-
16	Tube de 1/4 po de diamètre intérieur	1	U37-677P	U37-676P	U37-676P	U37-672P	U37-672P
17	Coude à raccord rapide – 1/4 po NPT	1	U11-218P	-	-	-	-
17	Raccord coudé barbelé – 90° – 1/4 po NPT	1	-	U111-212T	-	U111-212T	-
18	Pressostat	1	U217-1217	U217-1217	U217-1202	U217-1217	U217-1202
19	Contre-écrou – 1/2 po	1	U36-112ZP	U36-112ZP	U36-112ZP	U36-112ZP	U36-112ZP
20	Raccord	1	L43-5C	L43-5C	L43-5C	L43-5C	L43-5C
Trousse d'étanchéité (Comprend 3, 5 et 6)			PP1551	PP1550	PP1550	PP1550	PP1550
Trousse de restauration (Comprend 3, 5, 6, 7, 8 et 9)			PP1564	-	PP1560	PP1561	PP1561

\* Non illustré

# NOMENCLATURE DES PIÈCES – SÉRIES FN, SN ET HN

## MODÈLES BERKELEY

NUMÉRO	DESCRIPTION DE LA PIÈCE	QTÉ	5SN	7SN	10SN	15SN	5HN
			1/2 HP	3/4 HP	1HP	1-1/2 HP	1/2 HP
1	Moteur	1	J218-1651	J218-1652	J218-1653	J218-1655	J218-1652
2	Vis d'assemblage hexagonale – 3/8 po – 16 x 11/4 po de longueur	4	U30-75ZP	U30-75ZP	-	-	U30-75ZP
2	Vis d'assemblage hexagonale – 3/8 po – 16 x 11/4 po de longueur	2	-	-	U30-76ZP	U30-76ZP	-
3	Défecteur d'eau	1	17351-0009	17351-0009	17351-0009	17351-0009	17351-0009
4	Plaque d'étanchéité	1	N3-9	N3-9	L3-10	L3-10	N3-9
5	Joint de plaque d'étanchéité	1	N20-35N	N20-35N	C20-21N	C20-21N	N20-35N
6	Joint d'étanchéité de l'arbre	1	U109-6B	U109-6B	U109-6B	U109-6B	U109-6B
7	Impulseur	1	J105-40P	J105-42P	J105-8PAN	J105-22PA	J105-42P
8	Diffuseur	1	L1-25P	L1-25P	L1-23P	L1-23P	L1-25P
9	Joint d'étanchéité du diffuseur	1	N20-34	N20-34	-	-	N20-34
*	Joint torique de diffuseur	1	-	-	U9-418	U9-418	-
*	Vis du diffuseur	3	-	-	U30-489SS	U30-489SS	-
10	Raccord rapide – 1/4 po NPT	1	U11-217P	U11-217P	U11-217P	U11-217P	U11-217P
10	Raccord barbelé – Droit – 1/4 po NPT	-	-	-	-	-	-
11	Corps de la pompe – Ensemble	1	N176-43KIT	N176-43KIT	N176-44KIT	N176-44KIT	N176-43KIT
11A	Venturi	1	N32P-66	N32P-75	N32P-64	N32P-65	N32P-75
11B	Buse	1	N34P-17	N34P-21	J34P-44	J34P-44	N34P-21
12	Bouchon de tuyau – Tête hexagonale de 1/4 po NPT	( )	U78-941ZPV (3)	U78-941ZPV (3)	U78-941ZPV (4)	U78-941ZPV (4)	U78-941ZPV (3)
13	Vis d'assemblage hexagonale – 3/8 po – 16 x 11/4 po de longueur	2	-	-	U30-75ZP	U30-75ZP	-
14	Base	1	J104-9F	J104-9F	J4-9C	J4-9C	J104-9F
15	Coussinet en caoutchouc	1	C35-5S	C35-5S	C35-5S	C35-5S	C35-5S
16	Tube de 1/4 po de diamètre intérieur	1	U37-676P	U37-676P	U37-672P	U37-672P	U37-676P
17	Coude à raccord rapide – 1/4 po NPT	1	U11-218P	U11-218P	U11-218P	U11-218P	U11-218P
17	Raccord coudé barbelé – 90° – 1/4 po NPT	1	-	-	-	-	-
18	Pressostat	1	U217-1225	U217-1225	U217-1217	U217-1225	U217-1217
19	Contre-écrou – 1/2 po	1	U36-112ZP	U36-112ZP	U36-112ZP	U36-112ZP	U36-112ZP
20	Raccord	1	L43-5C	L43-5C	L43-5C	L43-5C	L43-5C
Trousse d'étanchéité (Comprend 3, 5, 6 et 9)			PP1550	PP1550	PP1551	PP1551	PP1550
Trousse de restauration (Comprend 3, 5, 6, 7, 8 et 9)			PP1560	PP1561	PP1563	PP1564	PP1561

\* Non illustré

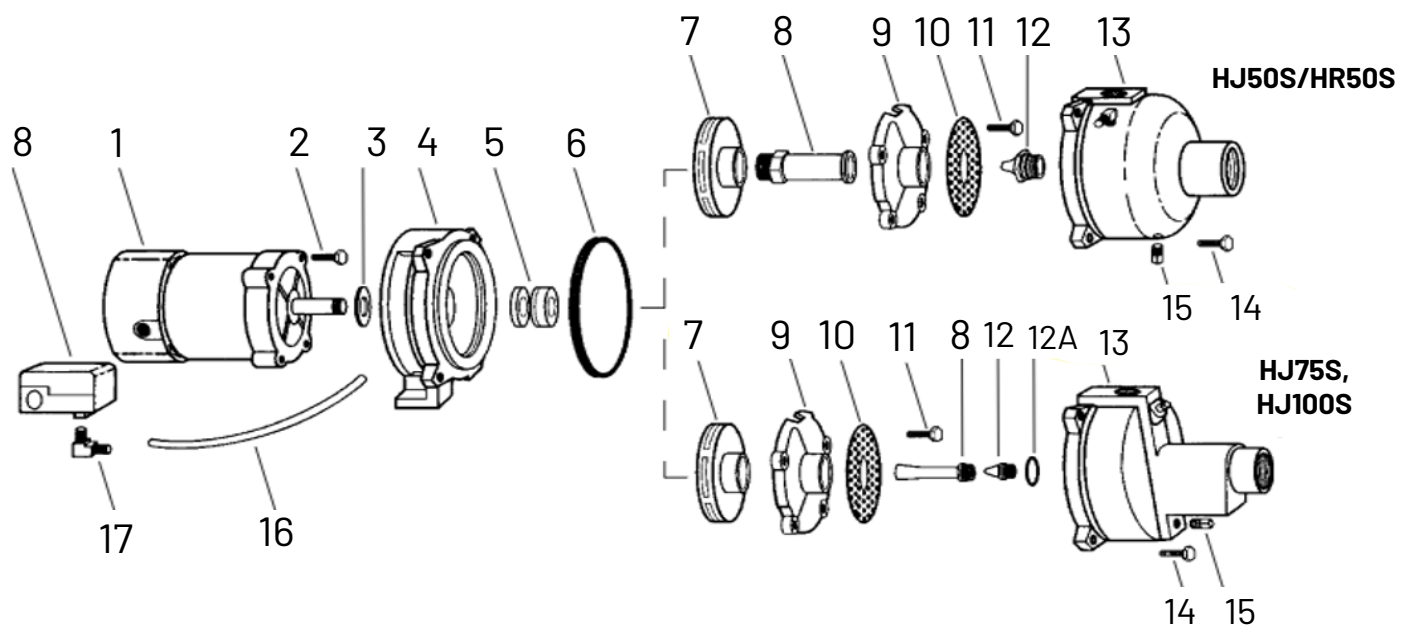
# NOMENCLATURE DES PIÈCES – SÉRIES FN, SN ET HN

## MODÈLES BERKELEY

NUMÉRO	DESCRIPTION DE LA PIÈCE	QTÉ	7HN	10HN	5FN-L	7FN-L
			3/4 HP	1-1/2 HP	1/2 HP	3/4 HP
1	Moteur	1	J218-1653	J218-1655	J218-1651	J218-1652
2	Vis d'assemblage hexagonale – 3/8 po – 16 x 1 1/4 po de longueur	4	-	-	U30-75ZP	U30-75ZP
2	Vis d'assemblage hexagonale – 3/8 po – 16 x 1 1/2 po de longueur	2	U30-76ZP	U30-76ZP	-	-
3	Défecteur d'eau	1	17351-0009	17351-0009	17351-0009	17351-0009
4	Plaque d'étanchéité	1	L3-10	L3-10	N3-9	N3-9
5	Joint de plaque d'étanchéité	1	C20-21N	C20-21N	N20-35N	N20-35N
6	Joint d'étanchéité de l'arbre	1	U109-6B	U109-6B	U109-6B	U109-6B
7	Impulseur	1	J105-8PAN	J105-22PA	J105-40PH	J105-42P
8	Diffuseur	1	L1-23P	L1-23P	L1-25P	L1-25P
9	Joint d'étanchéité du diffuseur	1	-	-	N20-34	N20-34
*	Joint torique de diffuseur	1	U9-418	U9-418	-	-
*	Vis du diffuseur	3	U30-489SS	U30-489SS	-	-
10	Raccord rapide – 1/4 po NPT	1	U11-217P	U11-217P	-	-
10	Raccord barbelé – Droit – 1/4 po NPT	1	-	-	U111-211T	U111-211T
11	Corps de la pompe – Ensemble	1	N176-44KIT	N176-44KIT	N176-38	N176-38F
11A	Venturi	1	N32P-64	N32P-65	N32P-66	N32P-75
11B	Buse	1	J34P-44	J34P-44	N34P-17	N34P-21
12	Bouchon de tuyau – Tête hexagonale de 1/4 po NPT	( )	U78-941ZPV (4)	U78-941ZPV (4)	U78-941ZPV (3)	U78-941ZPV (3)
13	Vis d'assemblage hexagonale – 3/8 po – 16 x 1 1/4 po de longueur	2	U30-75ZP	U30-75ZP	-	-
14	Base	1	J4-9C	J4-9C	-	-
15	Coussinet en caoutchouc	1	C35-5S	C35-5S	-	-
16	Tube de 1/4 po de diamètre intérieur	1	U37-672P	U37-672P	U37-676P	U37-672P
17	Coude à raccord rapide – 1/4 po NPT	1	U11-218P	U11-218P	-	-
17	Raccord coudé barbelé – 90° – 1/4 po NPT	1	-	-	U111-212T	U111-212T
18	Pressostat	1	U217-1217	U217-1217	U217-1217	U217-1217
19	Contre-écrou – 1/2 po	1	U36-112ZP	U36-112ZP	U36-112ZP	U36-112ZP
20	Raccord	1	L43-5C	L43-5C	L43-5C	L43-5C
Trousse d'étanchéité (Comprend 3, 5, 6 et 9)			PP1551	PP1551	PP1550	PP1550
Trousse de restauration (Comprend 3, 5, 6, 7, 8 et 9)			PP1563	PP1564	-	PP1561

\* Non illustré

# NOMENCLATURE DES PIÈCES – PUIXS PEU PROFOND HJ



\* Pour les modèles à roue en plastique uniquement



# NOMENCLATURE DES PIÈCES – SÉRIES HR ET HJ

## MODÈLES MYERS

NUMÉRO	DESCRIPTION DE LA PIÈCE	QTE	HR50S	HJ50S	HJ75S	HJ100S
			1/2 HP	1/2 HP	3/4 HP	1 HP
1	Moteur	1	J218-1652-115	20924A000K	20934A000K	20935A000K
2	Vis à tête hexagonale – 3/8 po – 16 x 7/8 po de longueur	4	-	U30-73ZP	U30-73ZP	U30-73ZP
2	Vis à tête hexagonale – 3/8 po – 16 x 1/2 po de longueur	4	U30-76SS	-	-	-
*	Rondelle frein	4	05454A007	-	-	-
3	Défecteur d'eau	1	17351-0009	05059A318	05059A318	05059A318
4	Support	1	-	20936D101W	20937D101W	20937D101W
*	Plaque d'étanchéité	1	24452C100W	-	-	-
5	Joint d'étanchéité de l'arbre	1	14525A000K	14525A000K	14525A000K	14525A000K
6	Joint de plaque d'étanchéité	1	05014A157	05014A157	05014A158	05014A158
7	Roue – plastique	1	16622B015	16622B010	19195B004	19196B004
7	Roue – Laiton	1	17682B003K	17682B003K	19195B000K	19196B000K
8	Venturi	1	25886A500	25886A500	25882A546	19199A001
9	Diffuseur	1	12371B000K	12371B000K	14379B000	14380B000K
10	Grille	1	13069B000	13069B000	13069B002	13069B002
11	Vis du diffuseur	3	U30-53SS	U30-53SS	U30-53SS	U30-53SS
12	Buse	1	12367A000	12367A000	08546A004	08546A004
12A	Joint torique de la buse	1	-	-	05876A087	05876A087
13	Corps de la pompe	1	24357D100W	18622D101W	19197D100W	19197D100W
14	Vis à tête hexagonale – 3/8 po – 16 x 1 1/4 po de longueur	5	-	U30-75ZP	-	-
14	Vis à tête hexagonale – 3/8 po – 16 x 1 1/2 po de longueur	4	-	-	19102A012	19102A012
15	Bouchon de tuyau – 1/4 po hexagonal	( )	U78-914ZPV (2)	U78-914ZPV (2)	U78-914ZPV (2)	U78-914ZPV (1)
16	Tube de 1/4 po de diamètre intérieur	1	U37-677P	U37-677P	U37-677P	U37-677P
17	Raccord coudé barbelé – 90° – 1/4 po NPT	2	U111-212T	U111-212T	U111-212T	U111-212T
18	Pressostat	1	U217-1218	U217-1217	U217-1217	U217-1217
*	Raccord	1	L43-5C	L43-5C	L43-5C	L43-5C
Trousse de restauration			PK50	PK50	PK75	PK100
(Comprend 5, 6, 7, 8, 9, 12 et 12A)**						

\* Non illustré

\*\* Pour les modèles à roue en plastique uniquement

# GARANTIE BERKELEY

Pentair BERKELEY® garantit à l'acheteur initial (« l'acheteur » ou « vous ») des produits énumérés dans le tableau ci-dessous, qu'ils seront exempts de défauts de matériaux et de fabrication pendant la période de garantie indiquée dans le tableau ci-dessous.

PRODUIT	PÉRIODE DE GARANTIE SELON LA PREMIÈRE ÉVENTUALITÉ :
Produits pour les systèmes d'eau – pompes à jet, petites pompes centrifuges, pompes submersibles et accessoires connexes,	12 mois à partir de la date d'installation initiale ou 18 mois à partir de la date de fabrication
Réservoirs en composite Pentair Pro-Source®	5 ans à partir de la date d'installation initiale
Réservoirs sous pression en acier Pentair Pro-Source®	5 ans à partir de la date d'installation initiale
Réservoirs avec doublure en époxy Pentair Pro-Source®	3 ans à partir de la date d'installation initiale
Agricole/commercial :	
Pompes centrifuges : entraînement moteur monobloc, support sur châssis, support SAE, entraînement moteur, VMS, SSCX, SSHM	12 mois à compter de la date d'installation initiale ou 24 mois à compter de la date de fabrication
Turbines submersibles, 6 po de diamètre et plus	12 mois à partir de la date d'installation initiale ou 24 mois à partir de la date de fabrication

Notre garantie ne s'applique pas aux produits qui, à notre seul avis, ont fait l'objet de négligence, d'une mauvaise utilisation, d'une mauvaise installation ou d'un manque d'entretien adéquat. Voici quelques exceptions qui peuvent entraîner le refus d'une réclamation dans le cadre de la garantie (cette liste n'est pas exhaustive):

- ◆ Dommages causés par une manipulation négligente, un réemballage inapproprié ou l'expédition.
- ◆ Dommages dus à une mauvaise application, une mauvaise utilisation, une utilisation abusive ou le non-respect des directives d'utilisation de l'équipement figurant dans le manuel du propriétaire.
- ◆ Dommages causés par une installation des produits qui n'était pas conforme aux indications spécifiées dans la notice d'utilisation.
- ◆ Dommages causés par des modifications non autorisées du produit ou un défaut d'utilisation des pièces de rechange d'origine Pentair.
- ◆ Dommages causés par la négligence ou un entretien des produits qui n'était pas conforme aux indications spécifiées dans la notice d'utilisation.
- ◆ Dommage causé par la congélation de l'eau à l'intérieur du produit.
- ◆ Dommages accidentels, incendie, événements de force majeure ou autres circonstances indépendantes de la volonté de Pentair.

Sans limiter ce qui précède, l'utilisation d'un moteur triphasé avec une alimentation monophasée par l'intermédiaire d'un convertisseur de phase annulera la garantie. Veuillez également noter que les moteurs triphasés doivent être protégés par des relais de surcharge à trois branches, à compensation ambiante et à déclenchement extrarapide, du calibre recommandé, sans quoi la garantie est annulée.

Tous les diamètres de roue mentionnés dans le programme de dimensionnement de la pompe BEC2 ont été testés et déterminés pour ne pas dépasser le coefficient de service du moteur spécifié. Des roues de diamètre surdimensionné sont offertes sur demande; cependant, l'utilisation d'une roue surdimensionnée invalidera toute réclamation au titre de la garantie.

Votre seul recours, et la seule obligation de BERKELEY en vertu de cette garantie, consiste à ce que BERKELEY répare ou remplace les produits défectueux (au choix de BERKELEY). LES RECOURS DÉCRITS DANS LE PRÉSENT DOCUMENT CONSTITUENT VOS SEULS ET UNIQUES RECOURS ET NOTRE ENTIÈRE RESPONSABILITÉ EN CAS DE VIOLATION DE LA PRÉSENTE GARANTIE.

Vous devez payer tous les frais de main-d'œuvre et d'expédition associés à la garantie et vous adresser au concessionnaire-installateur dès qu'un problème est découvert pour obtenir un service sous garantie. Aucune demande d'entretien ne sera acceptée si elle est reçue après l'expiration de la période de garantie. Cette garantie n'est pas transférable.

LA RESPONSABILITÉ DE BERKELEY NE DÉPASSERA EN AUCUN CAS LE MONTANT RÉEL PAYÉ PAR VOUS POUR LE PRODUIT EN CAUSE. BERKELEY NE SAURAIT, EN AUCUNE CIRCONSTANCE, ÊTRE TENUE RESPONSABLE DES DOMMAGES OU PERTES IMMATÉRIELS, ACCESSOIRES, SPÉCIAUX, PUNITIFS OU ÉVENTUELS, QUELS QU'ILS SOIENT, DIRECTEMENT OU INDIRECTEMENT. LA GARANTIE QUI PRÉCÈDE EST EXCLUSIVE. À L'EXCEPTION DE LA GARANTIE ÉNONCÉE DANS LE PRÉSENT DOCUMENT, BERKELEY N'OFFRE AUCUNE GARANTIE QUELLE QU'ELLE SOIT EN CE QUI CONCERNE LES PRODUITS, Y COMPRIS, MAIS SANS S'Y LIMITER, TOUTE GARANTIE DE QUALITÉ MARCHANDE OU D'ADÉQUATION À UN USAGE PARTICULIER, QU'ELLE SOIT EXPRESSE OU IMPLICITE EN VERTU DE LA LOI, DES PRATIQUES COMMERCIALES, DES PERFORMANCES, DE L'USAGE DU COMMERCE OU AUTREMENT.

LES GARANTIES QUI PRÉCÈDENT NE SERONT PAS PROLONGÉES AU-DELÀ DE LA PÉRIODE PRÉVUE DANS LES PRÉSENTES. Certains États ou provinces n'autorisent pas d'exclure ou de limiter les dommages fortuits ou indirects ou de limiter la durée d'une garantie implicite; il se peut donc que les limitations ou exclusions ci-dessus ne s'appliquent pas à votre cas. Cette garantie vous donne des droits juridiques spécifiques et vous pourriez également avoir d'autres droits, qui varient d'un État à l'autre.

La présente garantie entre en vigueur le 14 juillet 2020 et remplace toutes les garanties non datées ainsi que les garanties datées antérieures à cette date.

# GARANTIE MYERS

## GARANTIE LIMITÉE

Myers® garantit à l'acheteur initial (« l'acheteur » ou « vous ») des produits figurant ci-dessous qu'ils seront exempts de tout défaut de matériaux et de fabrication pour la période de garantie indiquée ci-dessous.

PRODUIT	PÉRIODE DE GARANTIE SELON LA PREMIÈRE ÉVENTUALITÉ :
Pompes à jet, petites pompes centrifuges, pompes submersibles et accessoires connexes	12 mois à compter de la date d'installation initiale ou 18 mois à compter de la date de fabrication.
Réservoirs en fibre enroulée	5 ans à partir de la date d'installation initiale
Réservoirs sous pression en acier	5 ans à partir de la date d'installation initiale
Produits de puisard/égout/effluent/services/batterie de secours	36 mois à partir de la date de fabrication
Pompes de traitement des matières solides des eaux usées	12 mois à partir de la date d'expédition de l'usine ou 18 mois à partir de la date de fabrication

## NETTOYAGE DE LA BUSE (BASSE PRESSION)

Notre garantie s'applique uniquement quand ces produits sont utilisés conformément aux exigences du catalogue et/ou des manuels des produits concernés. Pour plus d'informations, consultez la garantie limitée standard applicable dans le manuel du produit.

Notre garantie ne s'appliquera pas à un produit qui, selon notre seul jugement, a fait l'objet de négligence, d'une mauvaise utilisation, d'une mauvaise installation ou d'un mauvais entretien. Without limiting the foregoing, operating a three phase motor with single phase power through a phase converter will void the warranty. Note also that three phase motors must be protected by three-leg, ambient compensated, extra-quick trip overload relays of the recommended size or the warranty is void.

Votre seul recours et la seule responsabilité de MYERS sont que MYERS répare ou remplace les produits défectueux (au choix de MYERS). Vous devez payer tous les frais de main-d'œuvre et d'expédition associés à cette garantie et réclamer un service en vertu de la garantie auprès du détaillant Pentair Pro ayant effectué l'installation dès qu'un problème est détecté. No request for service will be accepted if received after the Warranty Period has expired. This warranty is not transferable.

MYERS NE SERA TENUE RESPONSABLE D'AUCUN DOMMAGE CONSÉCUTIF, INDIRECT OU ACCESSOIRE, QUEL QU'IL SOIT.

LES GARANTIES LIMITÉES SUSMENTIONNÉES SONT LES SEULES GARANTIES OFFERTES ET REMPLACENT TOUTES LES AUTRES GARANTIES EXPRESSES ET IMPLICITES, Y COMPRIS, SANS S'Y LIMITER, LES GARANTIES IMPLICITES DE QUALITÉ MARCHANDE ET D'ADAPTATION À UN USAGE PARTICULIER. LES GARANTIES LIMITÉES QUI PRÉCÈDENT NE SE PROLONGENT PAS AU-DELÀ DE LA PÉRIODE PRÉVUE AUX PRÉSENTES.

Certains États ou provinces n'autorisent pas d'exclure ou de limiter les dommages fortuits ou indirects ou de limiter la durée d'une garantie implicite; il se peut donc que les limitations ou exclusions ci-dessus ne s'appliquent pas à votre cas. Cette garantie vous donne des droits légaux spécifiques et vous pourriez également avoir d'autres droits, qui varient d'un État à l'autre.

La présente garantie limitée entre en vigueur le 1er janvier 2021 et remplace toutes les garanties non datées ainsi que celles antérieures à cette date.

# GARANTIE STA-RITE

## GARANTIE LIMITÉE

STA-RITE garantit à l'acheteur initial (« l'acheteur » ou « vous ») des produits figurant ci-dessous qu'ils seront exempts de tout défaut de matériau et de fabrication pour la période de garantie indiquée ci-dessous.

PRODUIT	PÉRIODE DE GARANTIE SELON LA PREMIÈRE ÉVENTUALITÉ :
Water Systems Products – jet pumps, small centrifugal pumps, submersible pumps and related accessories	12 mois à partir de la date d'installation initiale ou 18 mois à partir de la date de fabrication
Réservoirs Pro-Source™ en composite	5 ans à partir de la date d'installation initiale
Réservoirs sous pression Pro-Source™ en acier	5 ans à partir de la date d'installation initiale
Réservoirs Pro-Source™ à revêtement époxy	3 ans à partir de la date d'installation initiale
Bassin de décantation/eaux usées/produits d'effluents	12 mois à partir de la date d'installation initiale ou 18 mois à partir de la date de fabrication

Notre garantie ne s'appliquera pas à un produit qui, selon notre seul jugement, a fait l'objet de négligence, d'une mauvaise utilisation, d'une mauvaise installation ou d'un mauvais entretien. Sans limiter ce qui précède, l'utilisation d'un moteur triphasé avec une alimentation monophasée par l'intermédiaire d'un convertisseur de phase annulera la garantie. Veuillez également noter que les moteurs triphasés doivent être protégés par des relais de surcharge à trois branches, à compensation ambiante et à déclenchement extrarapide, du calibre recommandé, sans quoi la garantie est annulée.

Votre seul recours et la seule responsabilité de STA-RITE sont que STA-RITE répare ou remplace les produits défectueux (au choix de STA-RITE). Vous devez payer tous les frais de main-d'œuvre et d'expédition associés à cette garantie et réclamer un service en vertu de la garantie auprès du détaillant Pentair Pro ayant effectué l'installation dès qu'un problème est détecté. Aucune demande d'entretien ne sera acceptée si elle est reçue après l'expiration de la période de garantie. Cette garantie n'est pas transférable.

STA-RITE NE SERA TENUE RESPONSABLE D'AUCUN DOMMAGE CONSÉCUTIF, INDIRECT OU ACCESSOIRE, QUEL QU'IL SOIT. LES GARANTIES QUI PRÉCÈDENT SONT LES SEULES GARANTIES OFFERTES ET ELLES REMPLACENT TOUTES LES AUTRES GARANTIES EXPRESSES ET IMPLICITES, Y COMPRIS, MAIS SANS S'Y LIMITER, LES GARANTIES IMPLICITES DE QUALITÉ MARCHANDE ET D'ADÉQUATION À UN USAGE PARTICULIER. LES GARANTIES QUI PRÉCÈDENT NE SERONT PAS PROLONGÉES AU-DELÀ DE LA PÉRIODE EXPRESSÉMENT PRÉVUE DANS LES PRÉSENTES. Certains États ou provinces n'autorisent pas d'exclure ou de limiter les dommages fortuits ou indirects ou de limiter la durée d'une garantie implicite; il se peut donc que les limitations ou exclusions ci-dessus ne s'appliquent pas à votre cas. Cette garantie vous donne des droits légaux spécifiques et vous pourriez également avoir d'autres droits, qui varient d'un État à l'autre.

La présente garantie limitée entre en vigueur le 1er juin 2011 et remplace toutes les garanties non datées ainsi que les garanties antérieures au 1er juin 2011.



293 Wright St  
Delavan, WI 53115  
Tél. : 888 987-8677  
Télé. : 800 426-9446

490 Pinebush Road, Unit 4  
Cambridge, Ontario  
Canada N1T 0A5  
Tél. : 800 363-7867

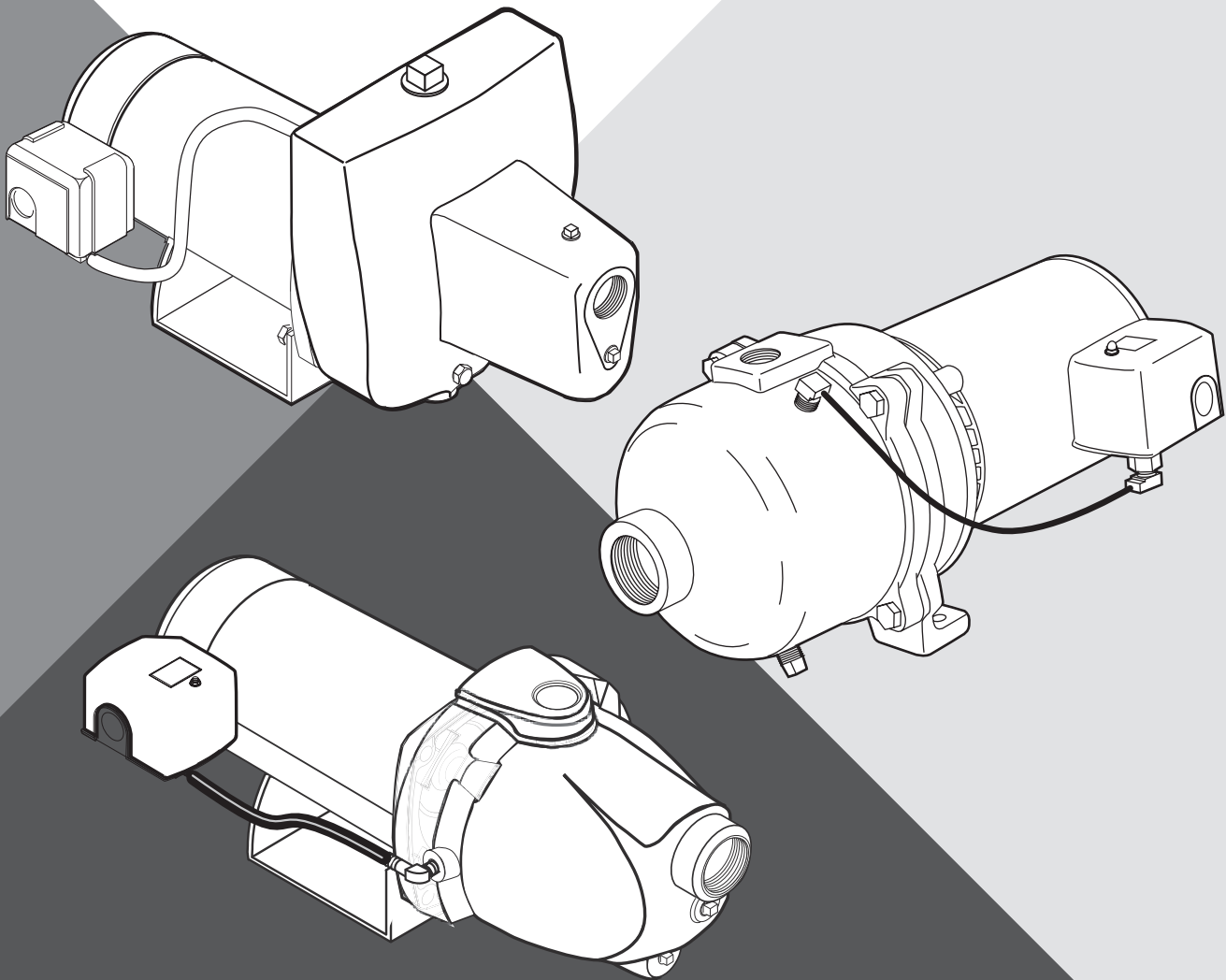
[pentair.com](http://pentair.com)

Toutes les marques de commerce et tous les logos Pentair indiqués appartiennent à Pentair. Les marques de commerce et les logos déposés et non déposés de tiers appartiennent à leurs propriétaires respectifs. Comme Pentair cherche constamment à améliorer ses produits et ses services, elle se réserve le droit d'en modifier les spécifications sans préavis. Pentair est un employeur offrant l'accès à l'égalité en emploi.

©Pentair, 2023. Tous droits réservés.

P15001(09-01-23)

# BOMBAS INYECTORAS PARA POZO POCO PROFUNDO



## MANUAL DEL PROPIETARIO

[pentair.com](http://pentair.com)

# ÍNDICE

---

INFORMACIÓN DE SEGURIDAD .....	3
INSTALACIÓN .....	4
CONEXIONES DE TUBERÍA DE DESCARGA Y TANQUE DE PRESIÓN .....	6
SISTEMA TÍPICO DE AUMENTO DE PRESIÓN .....	7
SISTEMA ELÉCTRICO .....	8
PUESTA EN MARCHA DE LA BOMBA .....	10
RESOLUCIÓN DE PROBLEMAS .....	12
ÍNDICE DE PARTES .....	14
GARANTÍAS .....	30

ESTE MANUAL CUBRE LOS SIGUIENTES MODELOS:


STA-RITE CJ, FN, HN, PN, & SN MODELS,


MYERS HR, HJ, MFN, MPN, & QD MODELS,


BERKELEY FN, HN, PN, SN, & SJH MODELS.


# INFORMACIÓN DE SEGURIDAD

## SÍMBOLOS DE SEGURIDAD

 Este es el símbolo de alerta de seguridad. Cuando vea este símbolo en su bomba o en este manual, busque una de las siguientes palabras de aviso y preste atención a la posibilidad de sufrir lesiones personales:


 **PELIGRO** advierte sobre peligros que causarán lesiones personales graves, la muerte o daños importantes a la propiedad si se ignora.

 **ADVERTENCIA** advierte sobre peligros que pueden causar lesiones personales graves, la muerte o daños importantes a la propiedad si se ignora.

 **PRECAUCIÓN** advierte sobre peligros que causarán o que pueden causar lesiones personales o daños a la propiedad leves si se ignora.

La palabra **AVISO** indica instrucciones especiales que son importantes pero no están relacionadas con peligros.


## ADVERTENCIA CONFORME A LA PROPUESTA 65 DE CALIFORNIA

 Este producto y sus accesorios relacionados contienen productos químicos que en el Estado de California se sabe que causan cáncer, defectos congénitos y otros daños en el sistema reproductivo.




- ◆ Cablee el motor para obtener el voltaje correcto. Consulte la sección "Sistema eléctrico" de este manual y la placa de identificación del motor.
- ◆ Conecte a tierra el motor antes de conectarlo a la fuente de alimentación.
- ◆ Cumpla con el Código Eléctrico Nacional, el Código Eléctrico Canadiense y los códigos locales para todo el cableado.
- ◆ Siga las instrucciones de cableado de este manual cuando conecte el motor a las líneas eléctricas.


## SEGURIDAD GENERAL

 **PRECAUCIÓN** **NO TOQUE UN MOTOR EN FUNCIONAMIENTO.** Los motores modernos están diseñados para funcionar a altas temperaturas. Para evitar quemaduras cuando realice el servicio de mantenimiento de la bomba, deje que se enfríe durante 20 minutos después de apagarla antes de manipularla.


- ◆ **NO** permita que la bomba o cualquier componente del sistema se congele. Hacerlo anulará la garantía.
- ◆ Bombee solamente agua con esta bomba.
- ◆ Inspeccione periódicamente la bomba y los componentes del sistema.
- ◆ Use gafas de seguridad en todo momento cuando trabaje en las bombas.
- ◆ Mantenga el área de trabajo limpia, despejada y debidamente iluminada; almacene adecuadamente todas las herramientas y equipos que no use.
- ◆ Mantenga a los visitantes a una distancia segura de las áreas de trabajo.

 **ADVERTENCIA** El cuerpo de la bomba puede explotar si se usa como bomba auxiliar a menos que se instale una válvula de alivio de presión capaz de pasar el flujo total de la bomba a 75 psi.

## SEGURIDAD ELÉCTRICA

 **WARNING** **EL VOLTAJE DEL CONDENSADOR PUEDE SER PELIGROSO.** Para descargar el condensador del motor, sujete el destornillador con mango aislado **por el mango** y conecte en corto los terminales del condensador. No toque la punta del destornillador de metal ni los terminales del condensador. En caso de duda, consulte con un electricista calificado.



 **ADVERTENCIA** ¡Presión peligrosa! Instale una válvula de alivio de presión en la tubería de descarga.

Libere toda la presión del sistema antes de trabajar en cualquier componente.

# INSTALACIÓN

## CÓMO REEMPLAZAR UNA BOMBA VIEJA

**⚠ ADVERTENCIA VOLTAJE PELIGROSO.** Desconecte la electricidad que alimenta la bomba antes de trabajar en la bomba o en el motor.

1. Drene y quite la bomba vieja. Revise la tubería vieja por si tiene sarro, sedimentos calcáreos, óxido, etc. Reemplácela si es necesario.
2. Instale la bomba en el sistema. Asegúrese de que todas las uniones en la tubería de succión sean herméticas al aire y al agua. Si la tubería de succión puede succionar aire, la bomba no podrá extraer agua del pozo.
3. Ajuste la altura de instalación de la bomba para que las conexiones de plomería no ejerzan demasiada presión sobre el cuerpo de la bomba. Fije la tubería para que el cuerpo de la bomba no reciba el peso de las tuberías o las conexiones.

## INSTALACIÓN DE LANZAS (PUNTO DE DRENAJE)

1. Accione el pozo utilizando acoples y una tapa de drenaje. Las conexiones de drenaje están íntegramente roscadas y permiten que los extremos de la tubería queden empalmados de modo que la fuerza impulsora del mazo sea transmitida por la tubería y no por las roscas.

Las conexiones comunes que se venden en las ferreterías no están completamente roscadas y pueden romperse con el impacto. Las conexiones de drenaje también son más lisas que las conexiones de tuberías estándar, lo que hace que la penetración del suelo sea más fácil.

2. Instale la bomba lo más cerca posible del pozo.

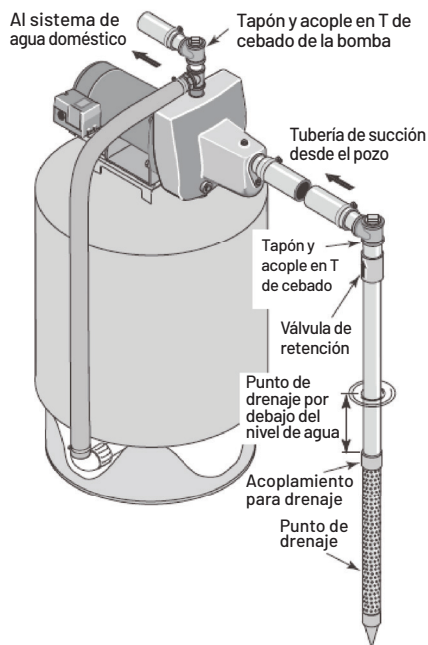


Figura 1: Instalación de punto de drenaje

3. Use la menor cantidad posible de conexiones, especialmente codos, cuando conecte la tubería desde la lanza al puerto de succión de la bomba. La tubería de succión debe ser al menos tan grande como el puerto de succión de la bomba. Incluya una válvula de retención si su bomba no la tiene (Figura 1).

Sujete la tubería para que no haya hundimientos o combaduras en la tubería, para que no fuerce el cuerpo de la bomba y para que ascienda levemente desde el pozo hacia la bomba (los lugares altos pueden generar bolsas de aire que pueden bloquear la bomba).

Selle las juntas de la tubería de succión con la cinta de PTFE para sellar roscas de tuberías. Las juntas deben ser herméticas y no deben permitir el paso del agua ni de aire. Si la tubería de succión puede succionar aire, la bomba no puede extraer el agua del pozo. Si una lanza no suministra suficiente agua, conecte dos o tres lanzas a una tubería de succión.

4. Avance a la sección de tubería de descarga y conexiones del tanque.

## INSTALACIÓN DE POZO ENCAMISADO, ENCAMISADO DE 2" O MÁS GRANDE

1. Instale la bomba lo más cerca posible del pozo.
2. Ensamble la válvula de contención, la trampa de pelos y la tubería del pozo (Figura 2). Verifique que la válvula de contención funcione libremente.
3. Baje la tubería al pozo hasta que la trampa de pelos se ubique a una distancia de 5 pies por encima de la base del pozo. También debería estar a una distancia de al menos 10 pies debajo del nivel de agua del pozo mientras la bomba está funcionando para evitar que la bomba succione aire. Instale un sello sanitario para pozos.

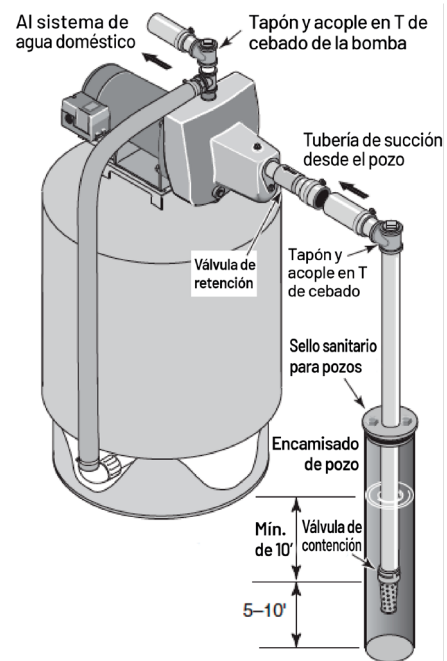


Figura 2: Instalación de pozo encamisado



## INSTALACIÓN

4. Instale el acople en T de cebado, el tapón de cebado y la tubería de succión a la bomba (Figura 2). Conecte la tubería del pozo al puerto de succión de bomba, utilizando la menor cantidad posible de conexiones, especialmente codos, ya que las conexiones aumentan la fricción en la tubería. Incluya una válvula de contención (Figura 2). La tubería de succión debe ser al menos tan grande como el puerto de succión de la bomba. Use cinta de PTFE para sellar roscas de tuberías en las juntas roscadas de la tubería.

Sujete la tubería para que no haya hundimientos o combaduras en la tubería, para que no fuerce el cuerpo de la bomba y para que ascienda levemente desde el pozo hacia la bomba (los lugares altos pueden generar bolsas de aire que pueden bloquear la bomba).

Selle las juntas de la tubería de succión con la cinta de PTFE para sellar roscas de tuberías. Las juntas deben ser herméticas y no deben permitir el paso del agua ni de aire. Si la tubería de succión puede succionar aire, la bomba no puede extraer el agua del pozo.

5. Avance a la sección de tubería de descarga y conexiones del tanque.

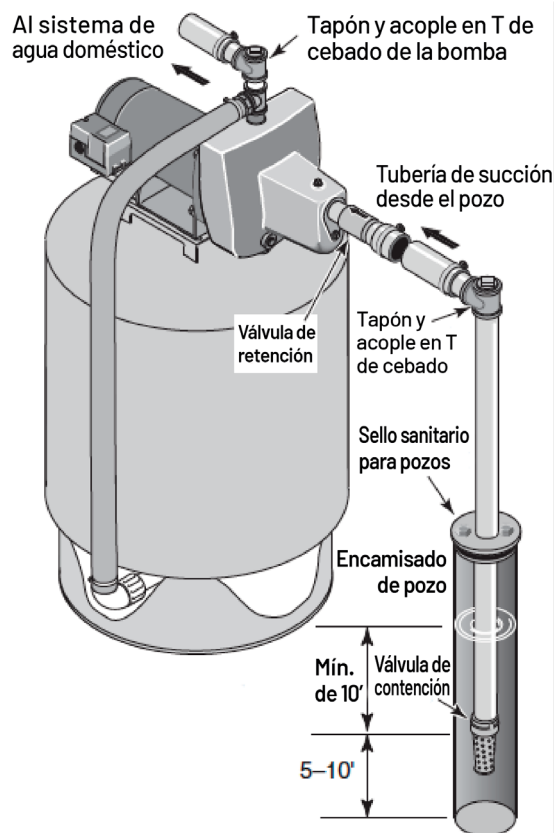


Figura 3: Instalación para agua de superficie

### INSTALACIÓN PARA AGUA DE SUPERFICIE

1. La bomba debe estar instalada lo más cerca posible del agua, con la menor cantidad posible de conexiones (especialmente codos) en la tubería de succión. La tubería de succión debe ser al menos tan grande como el puerto de succión de la bomba.
2. Ensamble la válvula de contención y la tubería de succión (Figura 3). Verifique que la válvula de contención funcione libremente. Use cinta de PTFE para sellar roscas de tuberías en las juntas roscadas de la tubería. Proteja el conjunto de la válvula de contención de los peces, la basura, etc. Para ello, instale una malla protectora alrededor.
3. Baje la tubería al agua hasta que la trampa de pelos esté a una distancia de cinco pies por encima de la base. También debería estar a una distancia de al menos 10 pies debajo del nivel de agua para evitar que la bomba succione aire.
4. Instale el acople en T de cebado, el tapón de cebado y la tubería de succión a la bomba (Figura 3). Sujete la tubería para que no haya hundimientos o combaduras en la tubería, para que no fuerce el cuerpo de la bomba y para que ascienda levemente desde el pozo hacia la bomba (los lugares altos pueden generar bolsas de aire que pueden bloquear la bomba).

Selle las juntas de la tubería de succión con la cinta de PTFE para sellar roscas de tuberías. Las juntas deben ser herméticas y no deben permitir el paso del agua ni de aire. Si la tubería de succión puede succionar aire, la bomba no puede extraer el agua del pozo.

5. Avance a la sección de tubería de descarga y conexiones del tanque.

# CONEXIONES DEL TANQUE A PRESIÓN Y TUBERÍA DE DESCARGA

## CONEXIÓN DEL TANQUE CON CARGA PREVIA

1. Instale dos acoples en T en el puerto de descarga de la bomba (Figura 4). El tamaño de la tubería debe ser al menos tan grande como el puerto de descarga.
2. Extienda una tubería o manguera reforzada desde un brazo del primer acople en T hasta el puerto del tanque previamente cargado.
3. Conecte el otro extremo del acople en T de descarga a su sistema de tubería.
4. Controle la carga previa de aire en el tanque con un manómetro común. Interruptor de presión La carga previa debe ser de 2 PSI menos que la configuración de encendido del interruptor de presión de la bomba. La carga previa se mide cuando no hay presión de agua en el tanque. Su nueva bomba tiene un interruptor de 30/50 PSI, por lo tanto, ajuste la presión de carga previa del tanque a 28 PSI.
5. Vaya a la sección de Electricidad para obtener información de conexión.

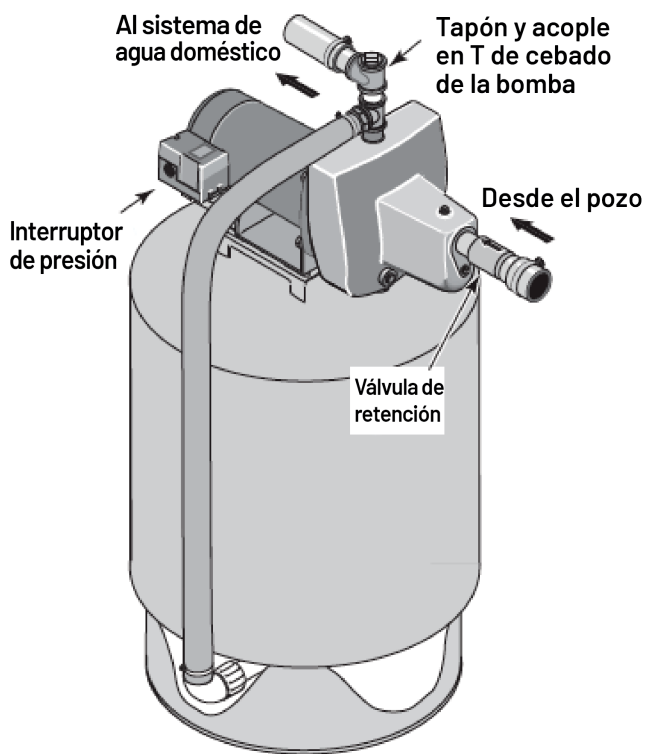


Figura 4: Conexiones del tanque previamente cargado

## CONEXIÓN DE TANQUE ESTÁNDAR

1. Instale un acople en T en el puerto de descarga de la bomba (Figura 5).
2. Extienda una tubería desde el puerto de descarga de la bomba hasta el puerto de entrada de su tanque. El tamaño de la tubería debe ser al menos tan grande como el puerto de descarga.
3. Retire el tapón de la tubería de 1/8" NPT del puerto de control de volumen de aire (AVC) de la bomba. Extienda la tubería desde el puerto AVC de la bomba hasta el puerto en el AVC montado en el tanque. Consulte las instrucciones provistas con el tanque y el AVC para obtener más detalles. La ubicación del puerto del AVC varía según el modelo de la bomba (Consulte el índice de partes).
4. Vaya a la sección de Electricidad para obtener información de conexión.

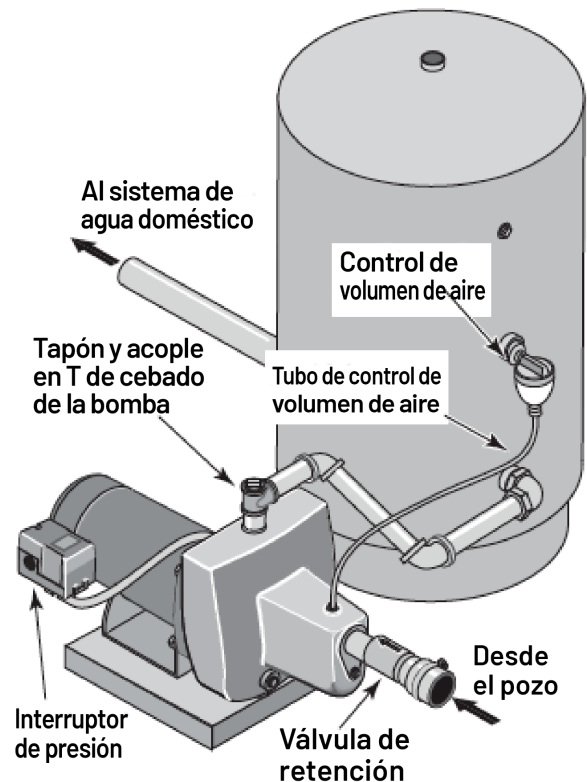


Figura 5: Conexiones del tanque estándar

## SELLADO DE LAS JUNTAS DE LAS TUBERÍAS

Use solamente cinta de PTFE para sellar roscas de tuberías en todas las juntas roscadas a la misma bomba. **No use compuestos para juntas de tuberías en bombas de plástico** ya que se puede producir una reacción con el plástico de los componentes de la bomba. Verifique que todas las juntas de la tubería de succión tengan un cierre hermético que no deje pasar el aire ni el agua. Si la tubería de succión puede succionar aire, la bomba no podrá extraer agua del pozo.

# SISTEMA TÍPICO DE AUMENTO DE PRESIÓN

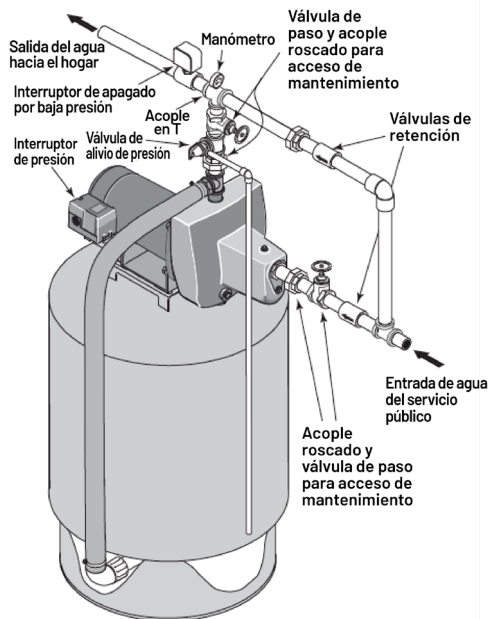


Figura 6: Modelo SNCP42

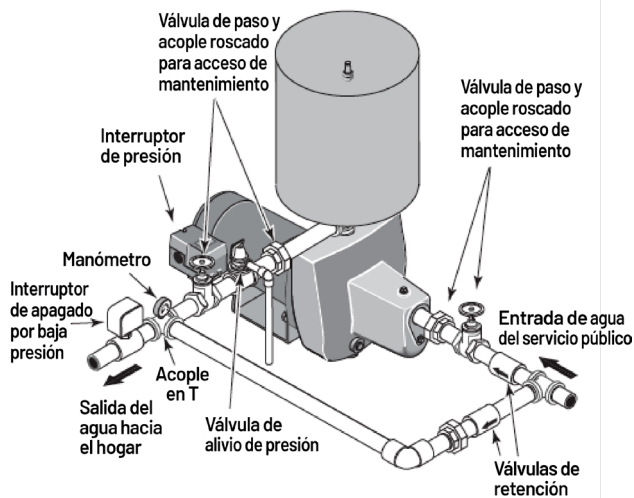


Figura 7: Modelo SNCP15

## INSTALACIÓN

**ADVERTENCIA PRESIÓN PELIGROSA.** Instale una válvula de alivio de presión como se muestra capaz de pasar el flujo total de la bomba a 75 PSI. El cuerpo de la bomba puede explotar si la presión interna sobrepasa los 75 PSI.

**ADVERTENCIA NUNCA HAGA FUNCIONAR LA BOMBA CON LA DESCARGA CERRADA.** Hacerlo puede hervir el agua dentro de la bomba, lo que genera una presión peligrosa en la unidad, riesgo de explosión y posiblemente quemaduras en las personas que manipulan la bomba.

- ◆ El flujo de agua entrante debe ser igual o superior al requerimiento mínimo de flujo de bomba de 6 galones por minuto o la bomba fallará. Como regla, la bomba no aumentará el flujo de agua en el sistema.
- ◆ Se recomienda usar un interruptor de apagado de seguridad por baja presión para cortar el suministro de energía a la bomba en caso de que la presión de descarga disminuya por obstrucciones en la boquilla o por interrupción del suministro de agua entrante, etc.
- ◆ Para instrucciones de ajuste del interruptor de presión, consulte la etiqueta dentro de la cubierta del interruptor de presión.
- ◆ El sistema puede ubicarse en interiores o en exteriores. Asegúrese de que el lugar sea firme y esté nivelado, bien drenado y protegido del clima y del congelamiento.

1. Corte el suministro de agua público a la casa.
2. Instale la tubería como se muestra (Figuras 6 y 7). Asegúrese de incluir acoples roscados y válvulas de bloqueo para que la unidad de aumento de presión pueda quitarse para recibir mantenimiento sin interrumpir el suministro de agua al hogar.

Se recomienda una válvula de retención accionada por resorte antes del sistema de aumento de presión y un interruptor de apagado de seguridad por baja presión después del mismo. Puede ser conveniente reemplazar el interruptor de presión estándar por un interruptor de presión que incluya apagado por baja presión.

3. Use cinta de PTFE para sellar roscas de tuberías en las juntas roscadas de la tubería.
4. Vaya a la sección de Electricidad para obtener información de conexión.

**TABLA I: CONFIGURACIÓN DEL INTERRUPTOR PARA SISTEMA DE AUMENTO DE PRESIÓN**

SI LA PRESIÓN MÍNIMA DE ENTRADA DEL SISTEMA ES	USAR INTERRUPTOR DE PRESIÓN A	AJUSTAR CARGA PREVIA DEL TANQUE EN
Por debajo de 20 PSI	20/40; ajuste de encendido en 20 PSI	18 PSI
20 - 30 PSI	30/50; ajuste de encendido en 30 PSI	28 PSI
30 - 40 PSI	40/60; ajuste de encendido en 40 PSI	38 PSI

### COMPONENTES SUMINISTRADOS POR USUARIO

Interruptor de apagado por baja presión (1)	Manómetro (1)
Válvulas de retención (2)	Acoples roscados (3)
Válvulas de paso (2)	Codo (1)
Válvula de alivio de presión (1)	Acoples en T (2)
	Tubería

## CONFIGURACIÓN DEL INTERRUPTOR DEL MOTOR

**⚠ DESCONECTE LA ALIMENTACIÓN ANTES DE TRABAJAR EN LA BOMBA, EL MOTOR, EL INTERRUPTOR DE PRESIÓN O EL CABLEADO.**

- ◆ Los motores de doble voltaje (motores que pueden funcionar con 115 o 230 voltios) vienen de fábrica configurados para 230 voltios. No cambie la configuración del voltaje del motor si la línea de voltaje es de 230 voltios o si tiene un motor de un solo voltaje.
- ◆ Nunca conecte un motor de 115 voltios a una línea de 230 voltios.
- ◆ Conecte los motores TEFC según el diagrama de cableado localizado en la caja de empalme del motor. Asegúrese de que el motor esté conectado a una línea de voltaje adecuada.
- ◆ Conecte los motores trifásicos según el diagrama de cableado localizado en el motor. Asegúrese de que el motor esté conectado a una línea de voltaje adecuada.

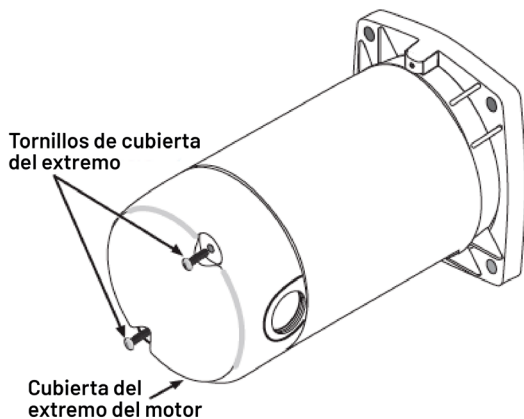


Figura 8: Cómo quitar la cubierta del extremo del motor

## SELECTOR DE VOLTAJE TIPO DIAL

Si tiene un motor de doble voltaje y lo conectará a 115 voltios, siga el procedimiento siguiente.

**⚠ ADVERTENCIA VOLTAJE PELIGROSO.** Puede provocar choque eléctrico, quemaduras o la muerte. Conecte el cable a tierra antes de conectar los cables de la fuente de alimentación. Utilice el tamaño de cable (incluido el cable de puesta a tierra) especificado en la tabla de cableado. Si es posible, conecte la bomba a un circuito de derivación separado sin otros dispositivos en este.

1. Asegúrese de que la energía esté apagada.
2. Quite la cubierta del extremo del motor para cambiar la configuración del motor (Figura 8).
3. Gire el dial en sentido contrario a las agujas del reloj hasta que se muestre 115 en la ventana del dial.
4. Conecte los cables de alimentación a los terminales. Asegúrese de que los cables están bien sujetos.
5. Conecte el cable a tierra al tornillo verde de conexión a tierra.
6. Vuelva a instalar la cubierta del extremo del motor. Vaya a Conexiones de Cableado a continuación.

**⚠ ADVERTENCIA PELIGRO DE EXPLOSIÓN.** No conecte a tierra desde una línea de suministro de gas.

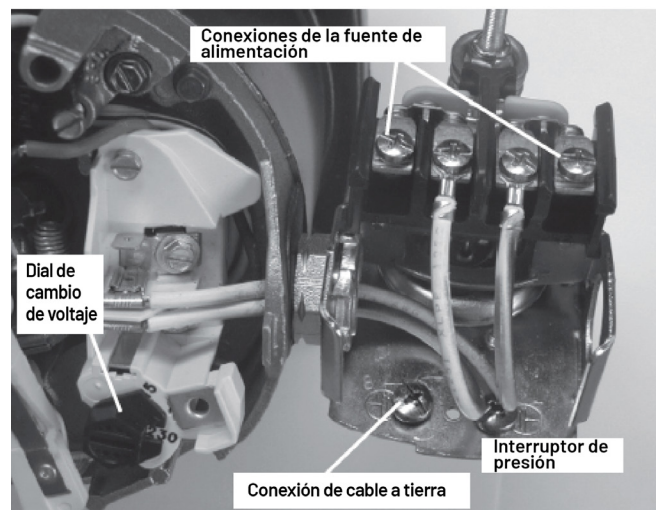


Figura 9: Dial de ajuste de voltaje

# SISTEMA ELÉCTRICO

## CONEXIONES DE CABLEADO

**⚠️ ADVERTENCIA PELIGRO DE INCENDIO.** El voltaje incorrecto puede ocasionar un incendio o daños serios en el motor y anular la garantía. El voltaje de suministro debe estar dentro de  $\pm 10\%$  del voltaje de la placa de identificación del motor.

- Los motores de voltaje doble vienen cableados de fábrica para 230 voltios. Si es necesario, reconecte el motor para 115 voltios, como se muestra. No altere el cableado en motores de voltaje simple.
- Instale, conecte a tierra, configure el cableado y mantenga su bomba de conformidad con el Código Nacional de Electricidad de Estados Unidos (NEC) o el Código de Electricidad de Canadá (CEC), según corresponda, y de conformidad con todos los códigos locales y las ordenanzas correspondientes. Consulte con su inspector de edificios locales para obtener información del código.

### TABLA DE CABLEADO - TAMAÑOS RECOMENDADOS DE CABLES Y FUSIBLES

#### SERIES SN, FN, PN, HR

HP DEL MOTOR	VOLTIOS	AMPERAJE DE CARGA MÁXIMA	AMPERAJE NOMINAL DEL FUSIBLE DE DERIVACIÓN	DISTANCIA EN PIES (METROS) DESDE EL MOTOR HASTA EL SUMINISTRO			
				0-100 (0-30)	101-200 (31-61)	201-300 (62-91)	301-400 (92-122)
				TAMAÑO DE CABLE AWG (MM <sup>2</sup> )			
1/2	115/230	8.5/4.3	15/15	14/14 (2/2)	12/14 (3/2)	10/14 (5.5/2)	8/14 (8.4/2)
3/4	115/230	11.4/5.7	20/15	14/14 (2/2)	10/14 (5.5/2)	8/14 (8.4/2)	6/12 (14/3)
1	115/230	12.2/6.1	25/15	12/14 (3/2)	8/14 (8.4/2)	8/14 (8.4/2)	6/12 (14/3)
1-1/2	115/230	18.4/9.2	30/20	10/14 (5.5/2)	8/14 (8.4/2)	6/12 (14/3)	4/10 (21/5.5)

## PROCEDIMIENTO DE CONEXIÓN

- Conecte el cable a tierra primero (Figura 9). El cable a tierra debe ser de cobre sólido y, por lo menos, grande como los cables de la fuente de alimentación.
- Debe haber una conexión de metal sólido entre el interruptor de presión y el motor para proteger la conexión a tierra del motor. Si el interruptor de presión no está conectado al motor, conecte el tornillo verde de conexión a tierra en el interruptor al tornillo verde de conexión a tierra debajo de la cubierta del extremo del motor. Use un cable de cobre sólido y, por lo menos, grande como los cables de la fuente de alimentación.
- Conecte el cable de conexión a tierra a un conductor a tierra en un panel de servicio, a una tubería para agua subterránea de metal, a un encamisado de pozo de metal de al menos diez pies (3 m) de largo, o a un electrodo a tierra provisto por la compañía de electricidad o la autoridad en materia hídrica.
- Conecte los cables de la fuente de alimentación al interruptor de presión, como se muestra en la Figura 9.

#### SERIE HN

HP DEL MOTOR	VOLTIOS	AMPERAJE DE CARGA MÁXIMA	AMPERAJE NOMINAL DEL FUSIBLE DE DERIVACIÓN	DISTANCIA EN PIES (METROS) DESDE EL MOTOR HASTA EL SUMINISTRO			
				0-100 (0-30)	101-200 (31-61)	201-300 (62-91)	301-400 (92-122)
				TAMAÑO DE CABLE AWG (MM <sup>2</sup> )			
1/2	115/230	11.4/5.7	20/15	14/14 (2/2)	10/14 (5.5/2)	8/14 (8.4/2)	6/12 (14/3)
3/4	115/230	12.2/6.1	25/15	12/14 (3/2)	8/14 (8.4/2)	8/14 (8.4/2)	6/12 (14/3)
1	115/230	18.4/9.2	30/20	10/14 (5.5/2)	8/14 (8.4/2)	6/12 (14/3)	4/10 (21/5.5)

# SISTEMA ELÉCTRICO

## TABLA DE CABLEADO - TAMAÑOS RECOMENDADOS DE CABLES Y FUSIBLES

### SERIE CJ

CABALLOS DE FUERZA	VOLTIOS	AMPERAJE DE CARGA MÁXIMA	AMPERAJE NOMINAL DEL FUSIBLE DE DERIVACIÓN	DISTANCIA EN PIES (METROS) DESDE EL MOTOR HASTA EL SUMINISTRO			
				0-100 (0-30)	101-200 (31-61)	201-300 (62-91)	301-400 (92-122)
				TAMAÑO DE CABLE AWG (MM <sup>2</sup> )			
1	115/230	14.8/7.4	20/15	12/14 (3/2)	8/14 (8.4/2)	6/14 (14/2)	6/12 (14/3)
1-1/2	115/230	19.2/9.6	25/15	10/14 (5.5/2)	8/14 (8.4/2)	6/12 (14/3)	4/10 (21/5.5)

### SERIE SJH

CABALLOS DE FUERZA	VOLTIOS	AMPERAJE DE CARGA MÁXIMA	AMPERAJE NOMINAL DEL FUSIBLE DE DERIVACIÓN	DISTANCIA EN PIES (METROS) DESDE EL MOTOR HASTA EL SUMINISTRO			
				0-100 (0-30)	101-200 (31-61)	201-300 (62-91)	301-400 (92-122)
				TAMAÑO DE CABLE AWG (MM <sup>2</sup> )			
3/4	115/230	14.8/7.4	20/15	12/14 (3/2)	8/14 (8.4/2)	6/14 (14/2)	6/12 (14/3)
1	115/230	19.2/9.6	25/15	10/14 (5.5/2)	8/14 (8.4/2)	6/12 (14/3)	4/10 (21/5.5)

### SERIE HJ

CABALLOS DE FUERZA	VOLTIOS	AMPERAJE DE CARGA MÁXIMA	AMPERAJE NOMINAL DEL FUSIBLE DE DERIVACIÓN	DISTANCIA EN PIES (METROS) DESDE EL MOTOR HASTA EL SUMINISTRO			
				0-100 (0-30)	101-200 (31-61)	201-300 (62-91)	301-400 (92-122)
				TAMAÑO DE CABLE AWG (MM <sup>2</sup> )			
1/2	115/230	11.2/5.6	20/15	12/14 (3/2)	10/14 (5.5/2)	8/14 (8.4/2)	6/12 (14/3)
3/4	115/230	14.8/7.4	20/15	12/14 (3/2)	8/14 (8.4/2)	6/14 (14/2)	6/12 (14/3)
1	115/230	18.6/9.3	25/15	10/14 (5.5/2)	8/14 (8.4/2)	6/12 (14/3)	4/10 (21/5.5)

### SERIE QD

CABALLOS DE FUERZA	VOLTIOS	AMPERAJE DE CARGA MÁXIMA	AMPERAJE NOMINAL DEL FUSIBLE DE DERIVACIÓN	DISTANCIA EN PIES (METROS) DESDE EL MOTOR HASTA EL SUMINISTRO			
				0-100 (0-30)	101-200 (31-61)	201-300 (62-91)	301-400 (92-122)
				TAMAÑO DE CABLE AWG (MM <sup>2</sup> )			
1/2	115/230	8.4/4.2	15/15	14/14 (2/2)	12/14 (3/2)	10/14 (5.5/2)	8/14 (8.4/2)
3/4	115/230	10.5/5.7	20/15	14/14 (2/2)	10/14 (5.5/2)	8/14 (8.4/2)	6/12 (14/3)
1	115/230	12.6/6.3	25/15	12/14 (3/2)	8/14 (8.4/2)	8/14 (8.4/2)	6/12 (14/3)



# ENCENDIDO DE LA BOMBA

## PREPARACIÓN PARA ENCENDIDO DE LA BOMBA

**⚠ PRECAUCIÓN NUNCA PONGA EN FUNCIONAMIENTO LA BOMBA EN SECO.** Hacer funcionar la bomba sin agua generará el recalentamiento de la bomba, daños en el sellado y posiblemente causará quemaduras a las personas que manejan la bomba. Llene la bomba con agua antes de ponerla en funcionamiento.

**⚠ ADVERTENCIA NUNCA PONGA EN FUNCIONAMIENTO LA BOMBA CON LA DESCARGA CERRADA.** Si lo hace, el agua puede hervir dentro de la bomba, lo que generará un presión peligrosa en la unidad, riesgo de explosión y posiblemente queme con agua hirviendo a las personas que manipulan la bomba.

1. Retire el tapón de cebado del acople en T de cebado y llene la bomba. Llene toda la tubería entre la bomba y el pozo, y verifique que toda la tubería en el pozo esté llena. Si también ha instalado un acople en T de cebado en la tubería de succión, retire el tapón del acople en T y llene la tubería de succión.
2. Reemplace los tapones de llenado.
3. Conecte la alimentación. Encienda la bomba. Si no tiene agua después de 2 o 3 minutos, detenga la bomba y retire los tapones de llenado.

Vuelva a llenar la bomba y la tubería. Es posible que tenga que repetir esto varias veces para quitar todo el aire atrapado en la tubería. Una bomba que levanta agua 25' puede demorar hasta 15 minutos en cebarse.

4. Una vez que la bomba ha acumulado presión en el sistema y se ha apagado, controle el funcionamiento del interruptor de presión. Para ello, abra un grifo o dos y haga correr la suficiente cantidad de agua para purgar la presión hasta que la bomba se encienda. La bomba debería encenderse cuando la presión descendiende a 30 PSI y detenerse cuando la presión alcanza 50 PSI.
5. Haga funcionar la bomba uno o dos ciclos completos para verificar si funciona correctamente. Esto también ayudará a limpiar el sistema de la suciedad y el sarro removidos durante la instalación.



Figura 10: Cebado de la bomba

## LIMPIEZA DE BOQUILLAS (BAJA PRESIÓN)

Use un picahielo o punzón sin cabeza para limpiar la boquilla - diámetro máximo de 3/16" (Figura 11). **NO** agrande el orificio en la boquilla. Use cinta selladora de roscas de tubería de PTFE en el tapón para sellarlo al volver a ensamblar.

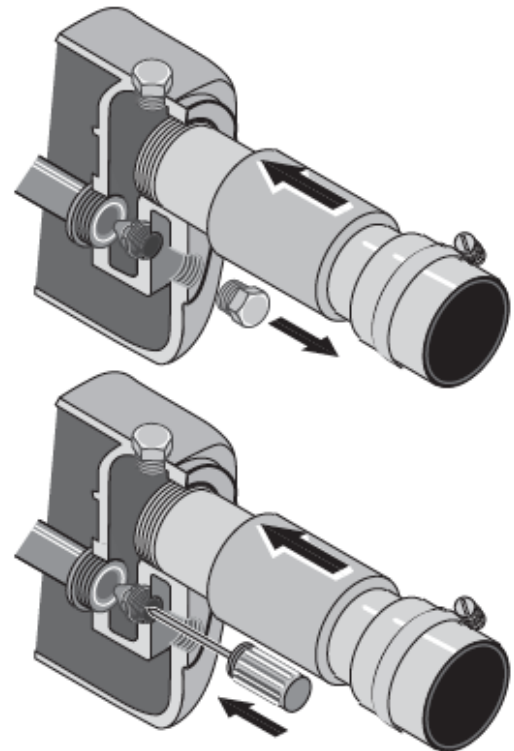


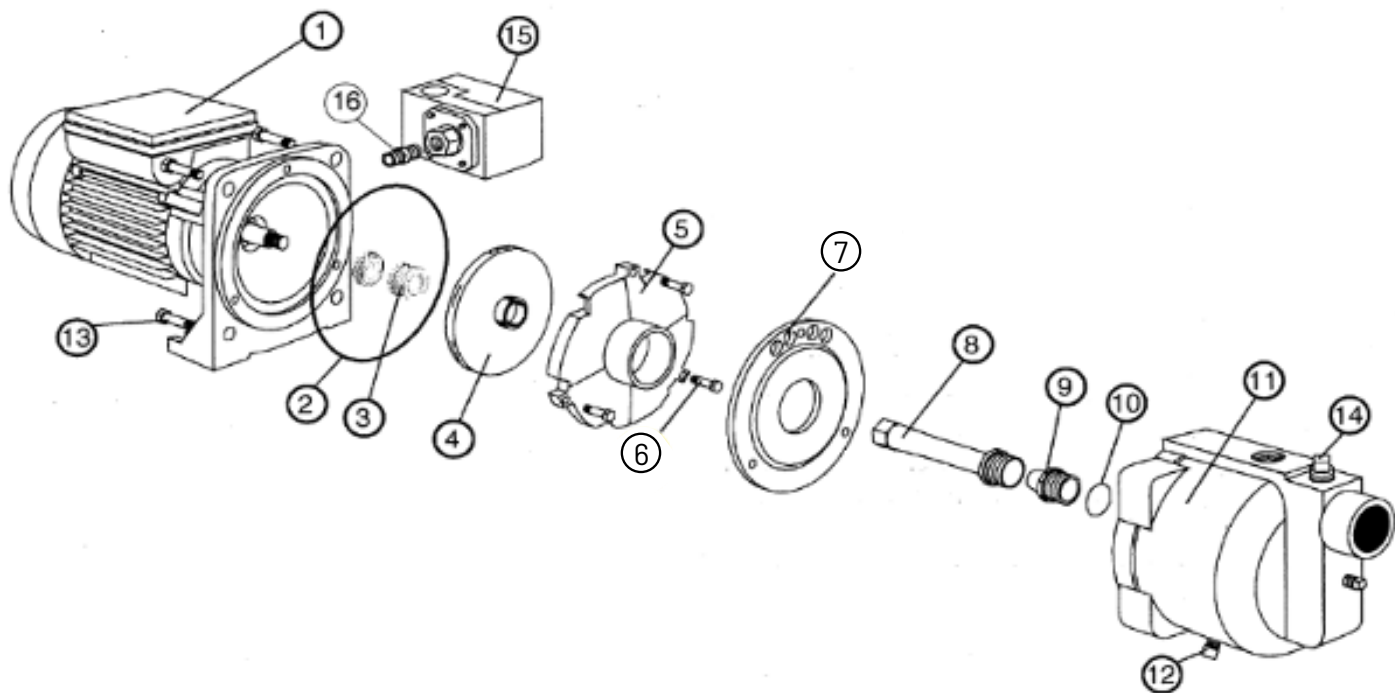
Figura 11: Limpieza de boquilla

# RESOLUCIÓN DE PROBLEMAS

SÍNTOMA	POSIBLE(S) CAUSA(S)	MEDIDA CORRECTIVA
El motor no funciona	El interruptor de desconexión está apagado El fusible está quemado o el interruptor del circuito está desconectado Interruptor de arranque defectuoso Los cables del motor están sueltos, desconectados o el cableado es incorrecto Los contactos del interruptor de presión están sucios	Verifique que el interruptor esté activado. Reemplace el fusible o reconfigure el interruptor de circuito. DESCONECTE EL SUMINISTRO DE ENERGÍA; reemplace el interruptor de encendido. Consulte las instrucciones sobre cableado (Página 8). DESCONECTE EL SUMINISTRO DE ENERGÍA; controle y ajuste todo el cableado. <b>⚠ ADVERTENCIA</b> El voltaje del condensador puede ser peligroso. Para descargar el condensador, sostenga el destornillador POR EL MANGO con aislamiento y los terminales cortos del condensador juntos. No toque la punta del destornillador de metal ni los terminales del condensador. En caso de duda, consulte con un electricista calificado. DESCONECTE EL SUMINISTRO DE ENERGÍA y lime los contactos con lima de cartón o lima de uñas.
El motor se calienta y se activa la sobrecarga	El cableado del motor es incorrecto El voltaje es demasiado bajo La bomba se activa y se desactiva con demasiada frecuencia	Consulte las instrucciones sobre cableado. Consulte con la empresa de suministro de energía. Instale un cableado más grueso si el tamaño de cable es demasiado pequeño (Consulte la tabla de Electricidad/Cableado). Consulte la sección a continuación sobre ciclos demasiado frecuentes.
El motor funciona pero no suministra agua*  *(Aviso: Detenga la bomba, luego controle el cebado antes de buscar otras causas. Desenrosque el tapón de cebado y vea si hay agua en el orificio de cebado).	La bomba de la nueva instalación no se cebó: 1. Cebado incorrecto 2. Fugas de aire 3. Fuga de la válvula de contención o de la válvula de retención La bomba perdió cebado: 1. Fugas de aire 2. Nivel de agua debajo de la entrada de la tubería de succión La válvula de contención o la trampa de pelos está conectada El eyector o el impulsor está conectado La válvula de retención o de contención está atascada Las tuberías están congeladas La válvula de contención y/o la trampa de pelos está enterrada en arena o lodo El nivel de agua es demasiado bajo para que la configuración del pozo superficial libere agua	En la nueva instalación: 1. Cebear nuevamente según las instrucciones. 2. Verificar todas las conexiones en la línea de succión, AVC y el eyector con agua jabonosa o crema de afeitar. 3. Reemplazar la válvula de contención o la válvula de retención. En una instalación que ya está en uso: 1. Verificar todas las conexiones en la línea de succión y la junta del eje. 2. Bajar la línea de succión al agua y volver a cebar. Si el nivel del agua en receso en el pozo excede 25' (7.6 M), se necesita una bomba para pozo profundo. Limpiar la válvula de contención o la trampa de pelos. Limpiar el eyector o el impulsor. Reemplazar la válvula de retención o la válvula de contención. Descongelar las tuberías. Enterrar las tuberías debajo de la línea de congelamiento. Calentar el pozo o la carcasa de la bomba. Levantar la válvula de contención y/o la trampa de pelos por encima del fondo de la fuente de agua. Limpiar la válvula de contención y la trampa de pelos. Es posible que se necesite un paquete de inyección para pozo profundo (sobre 25 pies del agua) para sacar agua.
La bomba no saca agua en plena capacidad.	El nivel de agua en el pozo es más bajo que el estimado La tubería de acero (si se utiliza) está corroída o tiene limo que causa un exceso de fricción La tubería es demasiado pequeña La lanza está desbordada	Se necesitará un inyector de pozo profundo si su pozo tiene más de 25' (7.6 M) de profundidad respecto del agua. Reemplace por una tubería de plástico, donde sea posible, o con una tubería de acero nueva. Utilizar una tubería más grande. Hacer una descarga inversa de la lanza o introduzca una nueva lanza.
La bomba extrae agua pero no se apaga o ejecuta ciclos de bombeo con demasiada frecuencia	El interruptor de presión está desajustado o los contactos están soldados juntos Se han dejado abiertos los grifos El sistema Venturi, la boquilla o el impulsor está bloqueado El tanque de presión estándar está anegado y no tiene amortiguación de aire Las tuberías tienen fugas Las válvulas de contención tienen fugas Carga de aire demasiado baja en el tanque previamente cargado	DESCONECTE EL SUMINISTRO DE ENERGÍA; ajuste o reemplace el interruptor de presión. Cerrar los grifos. Limpiar el sistema Venturi, la boquilla o el impulsor. Drenar el tanque al puerto de control de volumen de aire. Revisar si el AVC tiene fallas. Revisar todas las conexiones para ver si tienen fugas de aire. Revisar las conexiones. Reemplazar la válvula de contención. DESCONECTE EL SUMINISTRO DE ENERGÍA y abra los grifos hasta que se libere toda la presión. Con el manómetro, controlar la presión de aire del tanque en el vástago de la válvula ubicado en el tanque. Si es menor que la configuración de encendido del interruptor de presión (30-50 PSI), bombear aire en el tanque desde la fuente externa hasta que la presión de aire sea de 2 PSI menos que la configuración de encendido del interruptor. Revisar las válvulas de aire para ver si tienen fugas (usar una solución jabonosa) y reemplazar la parte central si es necesario.
Salen chorros de aire de los grifos	La bomba acelera el cebado Fuga en el limpiafondos de succión de la bomba El pozo tiene gases Bombeo excesivo intermitente del pozo. (Sale agua debajo de la válvula de contención).	Cuando la bomba se ha cebado, debería bombear agua sin aire. El tubo de succión está aspirando aire. Revisar las juntas con agua jabonosa para ver si hay fugas. Consultar con la fábrica sobre la instalación de una manga en el pozo Bajar la válvula de contención si es posible, caso contrario, limite la descarga de la bomba



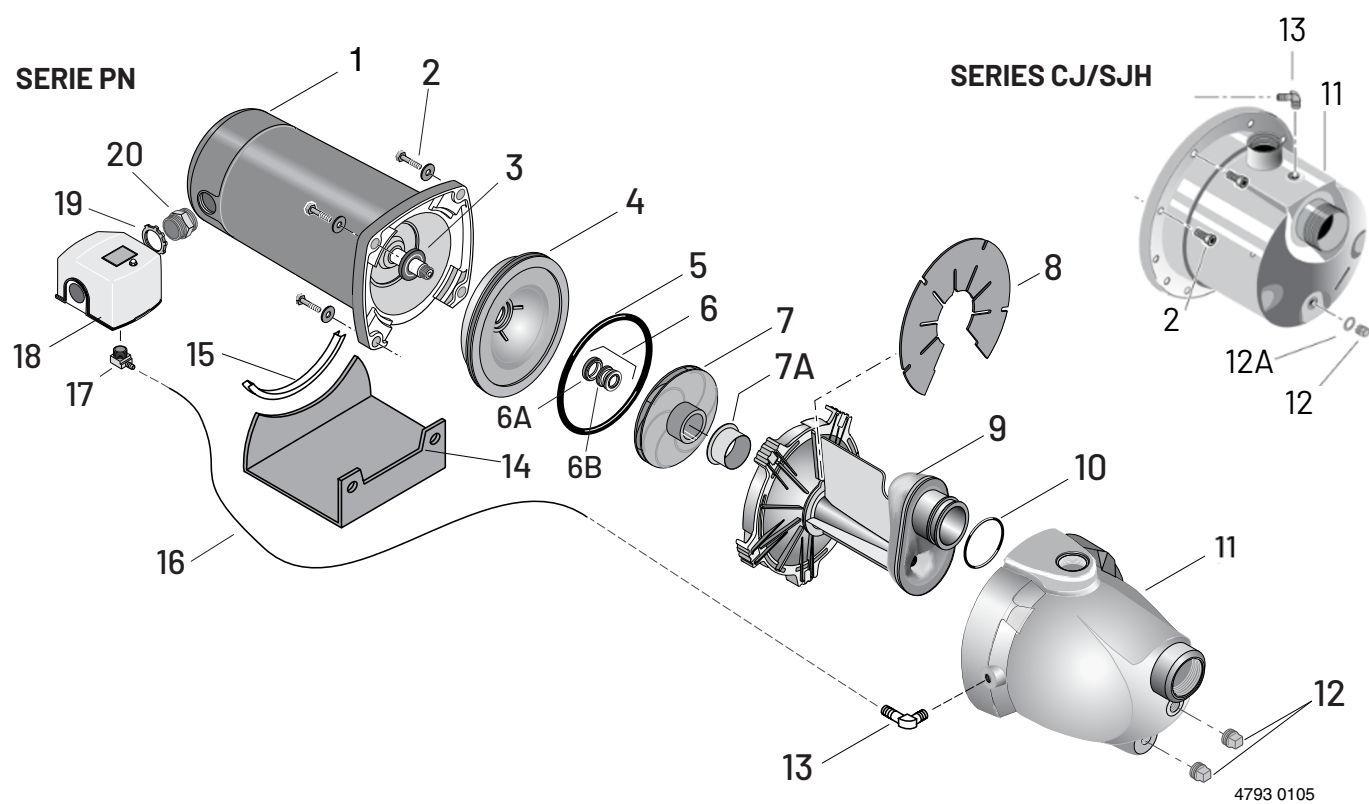
## ÍNDICE DE PARTES - SERIE QD



### MODELOS MYERS

N.º DE REF.	DESCRIPCIÓN DE LA PARTE	CANT. USADA	QD50S	QD75S	QD100S
			1/2 HP	3/4 HP	1 HP
1	Motor con placa de sellado	1	26635D022K	26636D022	26637D022
2	Junta de la placa de sellado	1	05014A157	05014A157	05014A157
3	Junta del eje	1	14525A000K	14525A000K	14525A000K
4	Impulsor - Plástico	1	16622B010	19196B014	19196B014
4	Impulsor - Bronce	1	17682B003K	-	-
5	Difusor	1	12371B060	14379B001	14379B001
6	Tornillos del difusor	3	19099A014	19099A014	19099A014
7	Deflector de cebado	1	13069B500	13069B501	13069B501
8	Venturi	1	26538A500	26538A560	26538A650
9	Boquilla	1	08546A358	08546A290	08546A290
10	Junta tórica de boquilla	1	05876A003	05876A003	05876A003
11	Cuerpo de la bomba	1	18622D550	18622D550	18622D550
12	Tapón de drenaje - cabeza hexagonal de 1/4"	2	05022A092	05022A092	05022A092
13	Tornillo hexagonal - 3/8" - 16 x 1" de largo	4	19101A009	19101A009	19101A009
14	Tapón de tubería - 1/2" NPT	1	05022A039	05022A039	05022A039
15	Interruptor de presión	1	U217-1218	U217-1218	U217-1218
16	Codo dentado - 90° - 1/4" NPT	1	27083A000	27083A000	27083A000

# ÍNDICE DE PARTES - SERIES PN Y CJ/SJH



§ Herrajes comunes, comprar localmente

# ÍNDICE DE PARTES - SERIES PN Y CJ/SJH

## MODELOS STA-RITE

N.º DE REF.	DESCRIPCIÓN DE LA PARTE	CANT.	PNC-10	PND-10	PNE-10	CJ90E	CJ90F
			1/2 HP	3/4 HP	1 HP	1 HP	1-1/2 HP
1	Motor	1	J218-1651	J218-1652	J218-1653	J218-1006	J218-1007
2	Tornillo de cabeza hexagonal - 3/8" - 16 x 2" de largo	4	U30-78ZP	U30-78ZP	U30-78ZP	-	-
2	**Tornillo hexagonal - 3/8" - 16 x 1"	2	-	-	-	U30-74SS	U30-74SS
2	Tornillo, cabeza hueca	8	-	-	-	121P0310	121P0310
*	Tuerca - M6-X1 SS	8	-	-	-	U36-207SS	U36-207SS
3	Deflector de agua	1	17351-0009	17351-0009	17351-0009	C69-7	C69-7
4	Placa de sellado	1	N3-15P	N3-15P	N3-15P	784S0070	784S0070
5	Junta de la placa de sellado	1	U9-390	U9-390	U9-390	111P0490	111P0490
6	Junta del eje	1	U109-6B	U109-6B	U109-6B	-	-
6A	Junta del eje - Cara fija	1	-	-	-	111P0510	111P0510
6B	Junta del eje - Cara giratoria	1	-	-	-	111P0500	111P0500
7	Impulsor	1	J105-40PNB	J105-42PNB	J105-22PB	101P1720	101P1730
7A	Aro de desgaste flotante	1	N23-12SS	N23-12SS	N23-12SS	-	-
8	Deflector de cebado	1	U97-153P	U97-153P	U97-153P	-	-
9	Ensamblaje de difusor/sistema Venturi/boquilla	1	N101-30PA	N101-30P	N101-29P	101P2900	101P2900
10	Junta tórica de boquilla	1	U9-449	U9-449	U9-449	111P1100	111P1100
11	Cuerpo de la bomba - Ensamblaje	1	N76-46P	N76-46P	N76-46P	723S0850	723S0850
12	Tapón de tubería - 1/4"	( )	WC78-40T(2)	WC78-40T(2)	WC78-40T(2)	-	-
12	Tapón de tubería - acero inoxidable	( )	-	-	-	121P6090 (1)	121P6090 (1)
12A	Arandela de tapón de tubería	1	-	-	-	111P0990	111P0990
13	Codo dentado - 90° - 1/4" NPT	1	U111-212T	U111-212T	U111-212T	-	-
13	Codo de compresión - 90°	1	-	-	-	171P4750	171P4750
14	Base	1	J104-9F	J104-9F	J104-9F	C4-42P	C4-42P
15	Almohadilla de goma	1	C35-5S	C35-5S	C35-5S	-	-
16	Tubo, D-I. de 1/4"	1	U37-670P	U37-669P	U37-669P	U37-671P	U37-673P
17	Codo dentado - 90° - 1/4" NPT	1	-	-	-	U111-212T	-
18	Interruptor de presión	1	U217-1202	U217-1202	U217-1202	U217-1217	U217-1204
19	Contratuerca - 1/2"	1	U36-112ZP	U36-112ZP	U36-112ZP	U36-112ZP	U36-112ZP
20	Conector	1	L43-5C	L43-5C	L43-5C	L43-5C	L43-5C
Kit de sellado (Incluye 3, 5 y 6)			PP1530	PP1530	PP1530	-	-

\* Sin imagen

\*\* Dos ranuras que conectan el motor a la base solamente

# ÍNDICE DE PARTES - SERIES PN Y CJ/SJH

## MODELOS BERKELEY

N.º DE REF.	DESCRIPCIÓN DE LA PARTE	CANT.	5PN-10	7PN-10	10PN-10	07SJH11C	10SJH11C
			1/2 HP	3/4 HP	1 HP	3/4 HP	1 HP
1	Motor	1	J218-1651	J218-1652	J218-1653	J218-1006	J218-1007
2	Tornillo de cabeza hexagonal - 3/8" - 16 x 2" de largo	4	U30-78ZP	U30-78ZP	U30-78ZP	-	-
2	**Tornillo hexagonal - 3/8" - 16 x 1"	2	-	-	-	U30-74SS	U30-74SS
2	Tornillo, cabeza hueca	8	-	-	-	121P0310	121P0310
*	Tuerca - M6-X1 SS	8	-	-	-	U36-207SS	U36-207SS
3	Deflector de agua	1	17351-0009	17351-0009	17351-0009	C69-7	C69-7
4	Placa de sellado	1	N3-15P	N3-15P	N3-15P	784S0070	784S0070
5	Junta de la placa de sellado	1	U9-390	U9-390	U9-390	111P0490	111P0490
6	Junta del eje	1	U109-6B	U109-6B	U109-6B	-	-
6A	Junta del eje - Cara fija	1	-	-	-	111P0510	111P0510
6B	Junta del eje - Cara giratoria	1	-	-	-	111P0500	111P0500
7	Impulsor	1	J105-40PNB	J105-42PNB	J105-22PB	101P1720	101P1730
7A	Aro de desgaste flotante	1	N23-12SS	N23-12SS	N23-12SS	-	-
8	Deflector de cebado	1	U97-153P	U97-153P	U97-153P	-	-
9	Ensamblaje de difusor/ sistema Venturi/boquilla	1	N101-30PA	N101-30P	N101-29P	101P2900	101P2900
10	Junta tórica de boquilla	1	U9-449	U9-449	U9-449	111P1100	111P1100
11	Cuerpo de la bomba - Ensamblaje	1	N76-46P	N76-46P	N76-46P	723S0850	723S0850
12	Tapón de tubería - 1/4"	( )	WC78-40T (2)	WC78-40T (2)	WC78-40T (2)	-	-
12	Tapón de tubería - acero inoxidable	( )	-	-	-	121P6090 (1)	121P6090 (1)
12A	Arandela de tapón de tubería	1	-	-	-	111P0990	111P0990
13	Codo dentado - 90° - 1/4" NPT	1	U111-212T	U111-212T	U111-212T	-	-
13	Codo de compresión - 90°	1	-	-	-	171P4750	171P4750
14	Base	1	J104-9F	J104-9F	J104-9F	C4-42P	C4-42P
15	Almohadilla de goma	1	C35-5S	C35-5S	C35-5S	-	-
16	Tubo, D-I. de 1/4"	1	U37-670P	U37-669P	U37-669P	U37-671P	U37-673P
17	Codo dentado - 90° - 1/4" NPT	1	-	-	-	U111-212T	U111-212T
18	Interruptor de presión	1	U217-1202	U217-1202	U217-1202	U217-1217	U217-1217
19	Contratuerca - 1/2"	1	U36-112ZP	U36-112ZP	U36-112ZP	U36-112ZP	U36-112ZP
20	Conector	1	L43-5C	L43-5C	L43-5C	L43-5C	L43-5C
Kit de sellado (Incluye 3, 5 y 6)			PP1530	PP1530	PP1530	-	-

\* Sin imagen

\*\* Dos ranuras que conectan el motor a la base solamente

# ÍNDICE DE PARTES - SERIES PN Y CJ/SJH

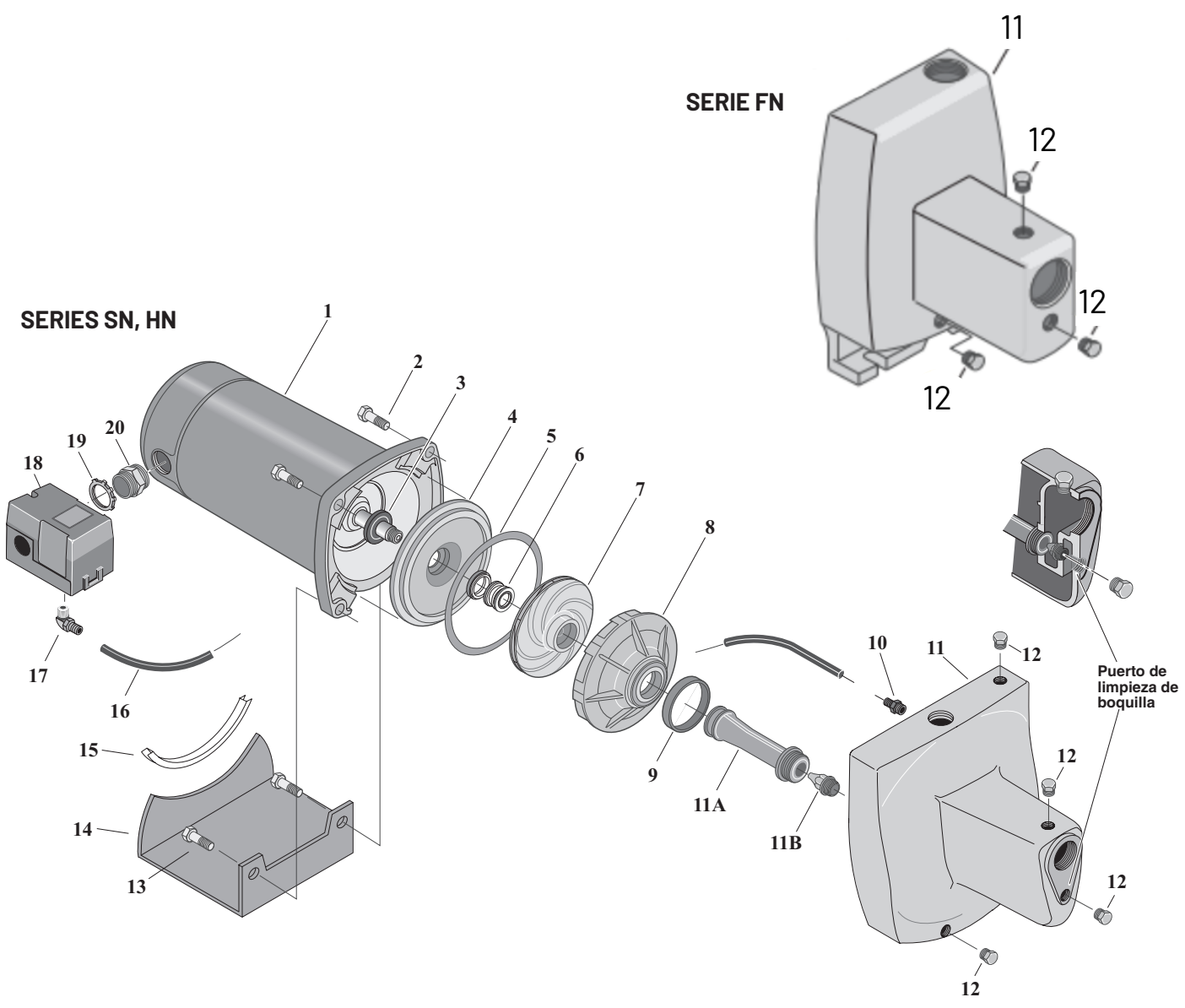
## MODELOS MYERS

N.º DE REF.	DESCRIPCIÓN DE LA PARTE	CANT.	MPNC-10	MPND-10	MPNE-10
			1/2 HP	3/4 HP	1 HP
1	Motor	1	J218-1651	J218-1652	J218-1653
2	Tornillo de cabeza hexagonal - 3/8" - 16 x 2" de largo	4	U30-78ZP	U30-78ZP	U30-78ZP
2	**Tornillo hexagonal - 3/8" - 16 x 1" de largo	-	-	-	-
2	Tornillo, cabeza hueca	-	-	-	-
*	Tuerca - M6-X1SS	-	-	-	-
3	Deflector de agua	1	17351-0009	17351-0009	17351-0009
4	Placa de sellado	1	N3-15P	N3-15P	N3-15P
5	Junta de la placa de sellado	1	U9-390	U9-390	U9-390
6	Junta del eje	1	U109-6B	U109-6B	U109-6B
6A	Junta del eje - Cara fija	-	-	-	-
6B	Junta del eje - Cara giratoria	-	-	-	-
7	Impulsor	1	J105-40PNB	J105-42PNB	J105-22PB
7A	Aro de desgaste flotante	1	N23-12SS	N23-12SS	N23-12SS
8	Deflector de cebado	1	U97-153P	U97-153P	U97-153P
9	Ensamblaje de difusor/sistema Venturi/boquilla	1	N101-30PA	N101-30P	N101-29P
10	Junta tórica de boquilla	1	U9-449	U9-449	U9-449
11	Cuerpo de la bomba - Ensamblaje	1	N76-46P	N76-46P	N76-46P
12	Tapón de tubería - 1/4"	( )	WC78-40T (2)	WC78-40T (2)	WC78-40T (2)
12	Tapón de tubería - acero inoxidable	-	-	-	-
12A	Arandela de tapón de tubería	-	-	-	-
13	Codo dentado - 90° - 1/4" NPT	1	U111-212T	U111-212T	U111-212T
13	Codo de compresión - 90°	-	-	-	-
14	Base	1	J104-9F	J104-9F	J104-9F
15	Almohadilla de goma	1	C35-5S	C35-5S	C35-5S
16	Tubo, D-I. de 1/4"	1	U37-670P	U37-669P	U37-669P
17	Codo dentado - 90° - 1/4" NPT	-	-	-	-
18	Interruptor de presión	1	U217-1202	U217-1202	U217-1202
19	Contratuerca - 1/2"	1	U36-112ZP	U36-112ZP	U36-112ZP
20	Conector	1	L43-5C	L43-5C	L43-5C
Kit de sellado (Incluye 3, 5 y 6)			PP1530	PP1530	PP1530

\* Sin imagen

\*\* Dos ranuras que conectan el motor a la base solamente

# ÍNDICE DE PARTES - SERIES HN, FN Y SN



# ÍNDICE DE PARTES - SERIES HN, FN Y SN

## MODELOS STA-RITE

N.º DE REF.	DESCRIPCIÓN DE LA PARTE	CANT.	SNC-L	SNC-HF25L	SND-L	SNE-L
			1/2 HP	1/2 HP	3/4 HP	1 HP
1	Motor	1	J218-1651	J218-1651	J218-1652	J218-1653
2	Tornillo de cabeza hexagonal - 3/8" - 16 x 1-1/4" de largo	4	U30-75ZP	U30-75ZP	U30-75ZP	-
2	Tornillo de cabeza hexagonal - 3/8" - 16 x 1-1/2" de largo	2	-	-	-	U30-76ZP
3	Deflector de agua	1	17351-0009	17351-0009	17351-0009	17351-0009
4	Placa de sellado	1	N3-9	N3-9	N3-9	L3-10
5	Junta de la placa de sellado	1	N20-35N	N20-35N	N20-35N	C20-21N
6	Junta del eje	1	U109-6B	U109-6B	U109-6B	U109-6B
7	Impulsor	1	J105-40P	J105-40P	J105-42P	J105-8PAN
8	Difusor	1	L1-25P	L1-25P	L1-25P	L1-23P
9	Junta del difusor	1	N20-34	N20-34	N20-34	-
*	Junta tórica del difusor	1	-	-	-	U9-418
*	Tornillos del difusor	3	-	-	-	U30-489SS
10	Conexión rápida - 1/4" NPT	1	U11-217P	U11-217P	U11-217P	U11-217P
10	Conector dentado - Recto - 1/4" NPT	-	-	-	-	-
11	Cuerpo de la bomba - Ensamblaje	1	N176-43KIT	N176-43KIT	N176-43KIT	N176-44KIT
11A	Venturi	1	N32P-66	N32P-67	N32P-75	N32P-64
11B	Boquilla	1	N34P-17	N34P-17	N34P-21	J34P-44
12	Tapón de tubería - 1/4" NPT Cabeza hexagonal	( )	U78-941ZPV (3)	U78-941ZPV (3)	U78-941ZPV (3)	U78-941ZPV (4)
13	Tornillo de cabeza hexagonal - 3/8" - 16 x 1-1/4" de largo	2	-	-	-	U30-75ZP
14	Base	1	J104-9F	J104-9F	J104-9F	J4-9C
15	Almohadilla de goma	1	C35-5S	C35-5S	C35-5S	C35-5S
16	Tubo, D-I. de 1/4"	1	U37-676P	U37-676P	U37-676P	U37-672P
17	Codo de conexión rápida - 1/4" NPT	1	U11-218P	U11-218P	U11-218P	U11-218P
17	Codo dentado - 90° - 1/4" NPT	-	-	-	-	-
18	Interruptor de presión	1	U217-1225	U217-1226	U217-1225	U217-1217
19	Contratuerca - 1/2"	1	U36-112ZP	U36-112ZP	U36-112ZP	U36-112ZP
20	Conector	1	L43-5C	L43-5C	L43-5C	L43-5C
Kit de sellado (Incluye 3, 5, 6 y 9)			PP1550	PP1550	PP1550	PP1551
*Sin imagen Kit de reparación (Incluye 3, 5, 6, 7, 8 y 9)			PP1560	PP1560	PP1561	PP1563

# ÍNDICE DE PARTES - SERIES HN, FN Y SN

## MODELOS STA-RITE

N.º DE REF.	DESCRIPCIÓN DE LA PARTE	CANT.	SNF-L	HNC-L	HND-L	HNE-L	HNE-X
			1-1/2 HP	1/2 HP	3/4 HP	1 HP	1 HP
1	Motor	1	J218-1655	J218-1652	J218-1653	J218-1655	J218-1655
2	Tornillo de cabeza hexagonal - 3/8" - 16 x 1-1/4" de largo	4	-	U30-75ZP	-	-	-
2	Tornillo de cabeza hexagonal - 3/8" - 16 x 1-1/2" de largo	2	U30-76ZP	-	U30-76ZP	U30-76ZP	U30-76ZP
3	Deflector de agua	1	17351-0009	17351-0009	17351-0009	17351-0009	17351-0009
4	Placa de sellado	1	L3-10	N3-9	L3-10	L3-10	L3-10
5	Junta de la placa de sellado	1	C20-21N	N20-35N	C20-21N	C20-21N	C20-21N
6	Junta del eje	1	U109-6B	U109-6B	U109-6B	U109-6B	U109-6B
7	Impulsor	1	J105-22PA	J105-42P	J105-8PAN	J105-22PA	J105-8PAN
8	Difusor	1	L1-23P	L1-25P	L1-23P	L1-23P	L1-23P
9	Junta del difusor	1	-	N20-34	-	-	-
*	Junta tórica del difusor	1	U9-418	-	U9-418	U9-418	U9-418
*	Tornillos del difusor	3	U30-489SS	-	U30-489SS	U30-489SS	U30-489SS
10	Conexión rápida - 1/4" NPT	1	U11-217P	U11-217P	U11-217P	U11-217P	U11-217P
10	Conector dentado - Recto - 1/4" NPT	-	-	-	-	-	-
11	Cuerpo de la bomba - Ensamblaje	1	N176-44KIT	N176-43KIT	N176-44KIT	N176-44KIT	N176-44KIT
11A	Venturi	1	N32P-65	N32P-75	N32P-64	N32P-65	N32P-65
11B	Boquilla	1	J34P-44	N34P-21	J34P-44	J34P-44	J34P-44
12	Tapón de tubería - 1/4" NPT Cabeza hexagonal	( )	U78-941ZPV(4)	U78-941ZPV (3)	U78-941ZPV (4)	U78-941ZPV (4)	U78-941ZPV (4)
13	Tornillo de cabeza hexagonal - 3/8" - 16 x 1-1/4" de largo	2	U30-75ZP	-	U30-75ZP	U30-75ZP	U30-75ZP
14	Base	1	J4-9C	J104-9F	J4-9C	J4-9C	J4-9C
15	Almohadilla de goma	1	C35-5S	C35-5S	C35-5S	C35-5S	C35-5S
16	tubo, D-l. de 1/4"	1	U37-672P	U37-676P	U37-672P	U37-672P	U37-672P
17	Codo de conexión rápida - 1/4" NPT	1	U11-218P	U11-218P	U11-218P	U11-218P	U11-218P
17	Codo dentado - 90° - 1/4" NPT	-	-	-	-	-	-
18	Interruptor de presión	1	U217-1225	U217-1217	U217-1217	U217-1217	U217-1217
19	Contratuercas - 1/2"	1	U36-112ZP	U36-112ZP	U36-112ZP	U36-112ZP	U36-112ZP
20	Conector	1	L43-5C	L43-5C	L43-5C	L43-5C	L43-5C
Kit de sellado (Incluye 3, 5 y 6)			PP1551	PP1550	PP1551	PP1551	PP1551
Kit de reparación (Incluye 3, 5, 6, 7, 8 y 9)			PP1564	PP1561	PP1563	PP1564	PP1563

\* Sin imagen



# ÍNDICE DE PARTES - SERIES HN, FN Y SN

## MODELOS STA-RITE

N.º DE REF.	DESCRIPCIÓN DE LA PARTE	CANT.	HNFx	FNC-L	FSNCH-L	FND-L	FSNDH-L
			1-1/2 HP	1/2 HP	1/2 HP	3/4 HP	3/4 HP
1	Motor	1	J218-1655	J218-1651	J218-1651	J218-1652	J218-1652
2	Tornillo de cabeza hexagonal - 3/8" - 16 x 1-1/4" de largo	4	-	U30-75ZP	U30-75ZP	U30-75ZP	U30-75ZP
2	Tornillo de cabeza hexagonal - 3/8" - 16 x 1-1/2" de largo	2	U30-76ZP	-	-	-	-
3	Deflector de agua	1	17351-0009	17351-0009	17351-0009	17351-0009	17351-0009
4	Placa de sellado	1	L3-10	N3-9	N3-9	N3-9	N3-9
5	Junta de la placa de sellado	1	C20-21N	N20-35N	N20-35N	N20-35N	N20-35N
6	Junta del eje	1	U109-6B	U109-6B	U109-6B	U109-6B	U109-6B
7	Impulsor	1	J105-22PA	J105-40PH	J105-40P	J105-42P	J105-42P
8	Difusor	1	L1-23P	L1-25P	L1-25P	L1-25P	L1-25P
9	Junta del difusor	1	-	N20-34	N20-34	N20-34	N20-34
*	Junta tórica del difusor	1	U9-418	-	-	-	-
*	Tornillos del difusor	3	U30-489SS	-	-	-	-
10	Conexión rápida - 1/4" NPT	1	U11-217P	-	-	-	-
10	Conector dentado - Recto - 1/4" NPT	1	-	U111-211T	U111-211T	U111-211T	U111-211T
11	Cuerpo de la bomba - Ensamblaje	1	N176-44KIT	N176-38	N176-38	N176-38F	N176-38F
11A	Venturi	1	N32P-65	N32P-66	N32P-66	N32P-75	N32P-75
11B	Boquilla	1	J34P-44	N34P-17	N34P-17	N34P-21	N34P-21
12	Tapón de tubería - 1/4" NPT Cabeza hexagonal	( )	U78-941ZPV(4)	U78-941ZPV(3)	U78-941ZPV(4)	U78-941ZPV(3)	U78-941ZPV(4)
13	Tornillo de cabeza hexagonal - 3/8" - 16 x 1-1/4" de largo	2	U30-75ZP	-	-	-	-
14	Base	1	J4-9C	-	-	-	-
15	Almohadilla de goma	1	C35-5S	-	-	-	-
16	Tubo, D-I. de 1/4"	1	U37-677P	U37-676P	U37-676P	U37-672P	U37-672P
17	Codo de conexión rápida - 1/4" NPT	1	U11-218P	-	-	-	-
17	Codo dentado - 90° - 1/4" NPT	1	-	U111-212T	-	U111-212T	-
18	Interruptor de presión	1	U217-1217	U217-1217	U217-1202	U217-1217	U217-1202
19	Contratuercas - 1/2"	1	U36-112ZP	U36-112ZP	U36-112ZP	U36-112ZP	U36-112ZP
20	Conector	1	L43-5C	L43-5C	L43-5C	L43-5C	L43-5C
Kit de sellado (Incluye 3, 5 y 6)			PP1551	PP1550	PP1550	PP1550	PP1550
Kit de reparación (Incluye 3, 5, 6, 7, 8 y 9)			PP1564	-	PP1560	PP1561	PP1561

\* Sin imagen

# ÍNDICE DE PARTES - SERIES HN, FN Y SN

## MODELOS BERKELEY

N.º DE REF.	DESCRIPCIÓN DE LA PARTE	CANT.	5SN	7SN	10SN	15SN	5HN
			1/2 HP	3/4 HP	1 HP	1-1/2 HP	1/2 HP
1	Motor	1	J218-1651	J218-1652	J218-1653	J218-1655	J218-1652
2	Tornillo de cabeza hexagonal - 3/8" - 16 x 1-1/4" de largo	4	U30-75ZP	U30-75ZP	-	-	U30-75ZP
2	Tornillo de cabeza hexagonal - 3/8" - 16 x 1-1/2" de largo	2	-	-	U30-76ZP	U30-76ZP	-
3	Deflector de agua	1	17351-0009	17351-0009	17351-0009	17351-0009	17351-0009
4	Placa de sellado	1	N3-9	N3-9	L3-10	L3-10	N3-9
5	Junta de la placa de sellado	1	N20-35N	N20-35N	C20-21N	C20-21N	N20-35N
6	Junta del eje	1	U109-6B	U109-6B	U109-6B	U109-6B	U109-6B
7	Impulsor	1	J105-40P	J105-42P	J105-8PAN	J105-22PA	J105-42P
8	Difusor	1	L1-25P	L1-25P	L1-23P	L1-23P	L1-25P
9	Junta del difusor	1	N20-34	N20-34	-	-	N20-34
*	Junta tórica del difusor	1	-	-	U9-418	U9-418	-
*	Tornillos del difusor	3	-	-	U30-489SS	U30-489SS	-
10	Conexión rápida - 1/4" NPT	1	U11-217P	U11-217P	U11-217P	U11-217P	U11-217P
10	Conector dentado - Recto - 1/4" NPT	-	-	-	-	-	-
11	Cuerpo de la bomba - Ensamblaje	1	N176-43KIT	N176-43KIT	N176-44KIT	N176-44KIT	N176-43KIT
11A	Venturi	1	N32P-66	N32P-75	N32P-64	N32P-65	N32P-75
11B	Boquilla	1	N34P-17	N34P-21	J34P-44	J34P-44	N34P-21
12	Tapón de tubería - 1/4" NPT Cabeza hexagonal	( )	U78-941ZPV(3)	U78-941ZPV(3)	U78-941ZPV(4)	U78-941ZPV(4)	U78-941ZPV(3)
13	Tornillo de cabeza hexagonal - 3/8" - 16 x 1-1/4" de largo	2	-	-	U30-75ZP	U30-75ZP	-
14	Base	1	J104-9F	J104-9F	J4-9C	J4-9C	J104-9F
15	Almohadilla de goma	1	C35-5S	C35-5S	C35-5S	C35-5S	C35-5S
16	Tubo, D-I. de 1/4"	1	U37-676P	U37-676P	U37-672P	U37-672P	U37-676P
17	Codo de conexión rápida - 1/4" NPT	1	U11-218P	U11-218P	U11-218P	U11-218P	U11-218P
17	Codo dentado - 90° - 1/4" NPT	1	-	-	-	-	-
18	Interruptor de presión	1	U217-1225	U217-1225	U217-1217	U217-1225	U217-1217
19	Contratuercas - 1/2"	1	U36-112ZP	U36-112ZP	U36-112ZP	U36-112ZP	U36-112ZP
20	Conector	1	L43-5C	L43-5C	L43-5C	L43-5C	L43-5C
Kit de sellado (Incluye 3, 5, 6 y 9)			PP1550	PP1550	PP1551	PP1551	PP1550
Kit de reparación (Incluye 3, 5, 6, 7, 8 y 9)			PP1560	PP1561	PP1563	PP1564	PP1561

\* Sin imagen

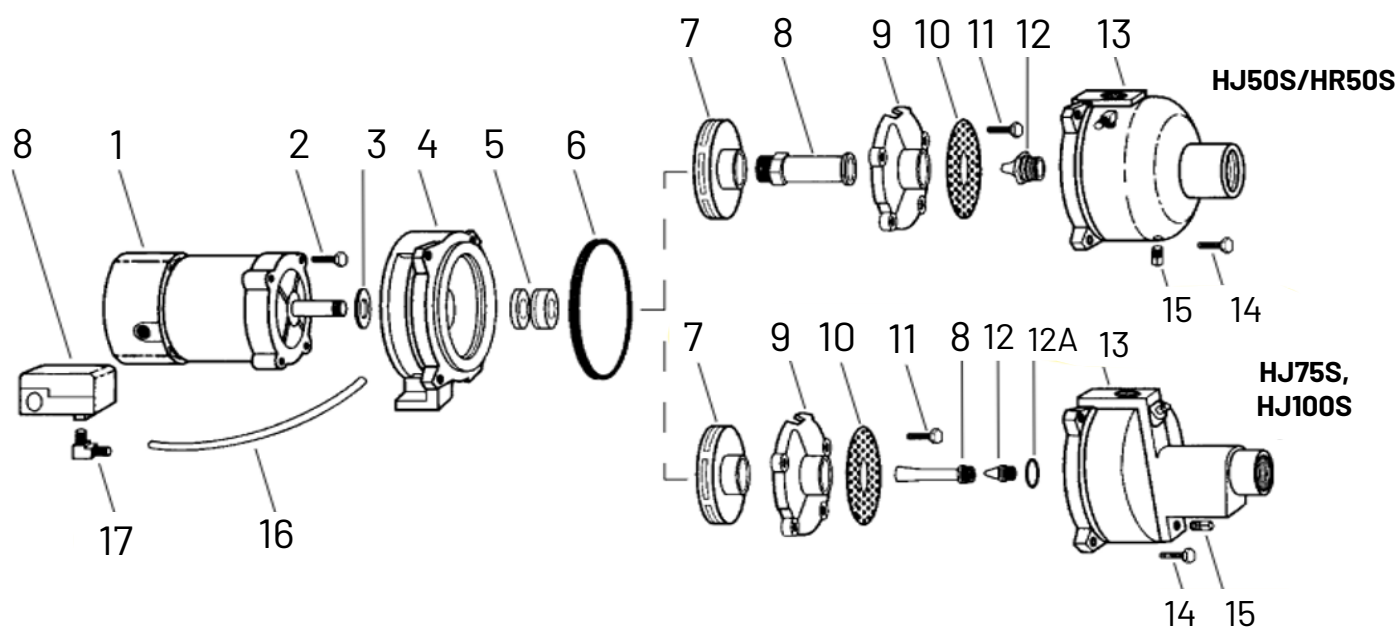
# ÍNDICE DE PARTES - SERIES HN, FN Y SN

## MODELOS BERKELEY

N.º DE REF.	DESCRIPCIÓN DE LA PARTE	CANT.	7HN	10HN	5FN-L	7FN-L
			3/4 HP	1-1/2 HP	1/2 HP	3/4 HP
1	Motor	1	J218-1653	J218-1655	J218-1651	J218-1652
2	Tornillo de cabeza hexagonal - 3/8" - 16 x 1-1/4" de largo	4	-	-	U30-75ZP	U30-75ZP
2	Tornillo de cabeza hexagonal - 3/8" - 16 x 1-1/2" de largo	2	U30-76ZP	U30-76ZP	-	-
3	Deflector de agua	1	17351-0009	17351-0009	17351-0009	17351-0009
4	Placa de sellado	1	L3-10	L3-10	N3-9	N3-9
5	Junta de la placa de sellado	1	C20-21N	C20-21N	N20-35N	N20-35N
6	Junta del eje	1	U109-6B	U109-6B	U109-6B	U109-6B
7	Impulsor	1	J105-8PAN	J105-22PA	J105-40PH	J105-42P
8	Difusor	1	L1-23P	L1-23P	L1-25P	L1-25P
9	Junta del difusor	1	-	-	N20-34	N20-34
*	Junta tórica del difusor	1	U9-418	U9-418	-	-
*	Tornillos del difusor	3	U30-489SS	U30-489SS	-	-
10	Conexión rápida - 1/4" NPT	1	U11-217P	U11-217P	-	-
10	Conector dentado - Recto - 1/4" NPT	1	-	-	U111-211T	U111-211T
11	Cuerpo de la bomba - Ensamblaje	1	N176-44KIT	N176-44KIT	N176-38	N176-38F
11A	Venturi	1	N32P-64	N32P-65	N32P-66	N32P-75
11B	Boquilla	1	J34P-44	J34P-44	N34P-17	N34P-21
12	Tapón de tubería - 1/4" NPT Cabeza hexagonal	( )	U78-941ZPV (4)	U78-941ZPV (4)	U78-941ZPV (3)	U78-941ZPV (3)
13	Tornillo de cabeza hexagonal - 3/8" - 16 x 1-1/4" de largo	2	U30-75ZP	U30-75ZP	-	-
14	Base	1	J4-9C	J4-9C	-	-
15	Almohadilla de goma	1	C35-5S	C35-5S	-	-
16	Tubo, D-I. de 1/4"	1	U37-672P	U37-672P	U37-676P	U37-672P
17	Codo de conexión rápida - 1/4" NPT	1	U11-218P	U11-218P	-	-
17	Codo dentado - 90° - 1/4" NPT	1	-	-	U111-212T	U111-212T
18	Interruptor de presión	1	U217-1217	U217-1217	U217-1217	U217-1217
19	Contratuercas - 1/2"	1	U36-112ZP	U36-112ZP	U36-112ZP	U36-112ZP
20	Conector	1	L43-5C	L43-5C	L43-5C	L43-5C
Kit de sellado (Incluye 3, 5, 6 y 9)			PP1551	PP1551	PP1550	PP1550
Kit de reparación (Incluye 3, 5, 6, 7, 8 y 9)			PP1563	PP1564	-	PP1561

\* Sin imagen

# ÍNDICE DE PARTES - POZO POCO PROFUNDO HJ



\* Solo para modelos con impulsor plástico

# ÍNDICE DE PARTES - SERIES HR Y HJ

## MODELOS MYERS

N.º DE REF.	DESCRIPCIÓN DE LA PARTE	CANT.	HR50S	HJ50S	HJ75S	HJ100S
			1/2 HP	1/2 HP	3/4 HP	1 HP
1	Motor	1	J218-1652-115	20924A000K	20934A000K	20935A000K
2	Tornillo hexagonal - 3/8" - 16 x 7/8" de largo	4	-	U30-73ZP	U30-73ZP	U30-73ZP
2	Tornillo hexagonal - 3/8" - 16 x 1/2" de largo	4	U30-76SS	-	-	-
*	Arandela de seguridad	4	05454A007	-	-	-
3	Deflector de agua	1	17351-0009	05059A318	05059A318	05059A318
4	Soporte	1	-	20936D101W	20937D101W	20937D101W
*	Placa de sellado	1	24452C100W	-	-	-
5	Junta del eje	1	14525A000K	14525A000K	14525A000K	14525A000K
6	Junta de la placa de sellado	1	05014A157	05014A157	05014A158	05014A158
7	Impulsor - Plástico	1	16622B015	16622B010	19195B004	19196B004
7	Impulsor - Bronce	1	17682B003K	17682B003K	19195B000K	19196B000K
8	Venturi	1	25886A500	25886A500	25882A546	19199A001
9	Difusor	1	12371B000K	12371B000K	14379B000	14380B000K
10	Malla	1	13069B000	13069B000	13069B002	13069B002
11	Tornillos del difusor	3	U30-53SS	U30-53SS	U30-53SS	U30-53SS
12	Boquilla	1	12367A000	12367A000	08546A004	08546A004
12A	Junta tórica de boquilla	1	-	-	05876A087	05876A087
13	Cuerpo de la bomba	1	24357D100W	18622D101W	19197D100W	19197D100W
14	Tornillo hexagonal - 3/8" - 16 x 1-1/4" de largo	5	-	U30-75ZP	-	-
14	Tornillo hexagonal - 3/8" - 16 x 1-1/2" de largo	4	-	-	19102A012	19102A012
15	Tapón de tubería - 1/4" cabeza hexagonal	( )	U78-914ZPV (2)	U78-914ZPV (2)	U78-914ZPV (2)	U78-914ZPV (1)
16	Tubo, D-I. de 1/4"	1	U37-677P	U37-677P	U37-677P	U37-677P
17	Codo dentado - 90° - 1/4" NPT	2	U111-212T	U111-212T	U111-212T	U111-212T
18	Interruptor de presión	1	U217-1218	U217-1217	U217-1217	U217-1217
*	Conector	1	L43-5C	L43-5C	L43-5C	L43-5C
Kit de reparación			PK50	PK50	PK75	PK100
(Incluye 5, 6, 7, 8, 9, 12 y 12A)**						

\* Sin imagen

\* Solo para modelos con impulsor plástico

# GARANTÍA DE BERKELEY

Pentair BERKELEY® garantiza al comprador consumidor original ("Comprador" o "Usted") de los productos enumerados en la tabla a continuación, que estarán libres de defectos de material y mano de obra durante el período de garantía que se muestra en la tabla a continuación.

PRODUCTO	PERÍODO DE GARANTÍA LO QUE OCURRA PRIMERO:
Productos de sistemas de agua: bombas inyectoras, bombas centrífugas pequeñas, bombas sumergibles y accesorios relacionados	12 meses a partir de la fecha de instalación original o 18 meses a partir de la fecha de fabricación
Tanques de material compuesto Pentair Pro-Source®	5 años a partir de la fecha de instalación original
Tanques de presión de acero Pentair Pro-Source	5 años a partir de la fecha de instalación original
Tanques revestidos con epoxi Pentair Pro-Source	3 años a partir de la fecha de instalación original
Agrícola/Comercial:	
Centrífugas: accionamiento de motor de acoplamiento directo, eje libre, montaje SAE, motor de combustión interna, VMS, SSCX, SSHM	12 meses a partir de la fecha de instalación original o 24 meses a partir de la fecha de fabricación
Turbinas sumergibles, de 6" de diámetro y más grandes	12 meses a partir de la fecha de instalación original o 24 meses a partir de la fecha de fabricación

Nuestra garantía no se aplicará a ningún producto que, a nuestro exclusivo criterio, haya sido objeto de negligencia, mala aplicación, instalación incorrecta o mantenimiento inadecuado. Ejemplos que pueden resultar en rechazo de un reclamo de garantía (esta lista no es exhaustiva):

- ◆ Daños causados por manejo descuidado, nuevo empaque o envío inadecuado.
- ◆ Daños debidos a mala aplicación, uso indebido, abuso o falla en la operación del equipo como se especifica en el manual del propietario.
- ◆ Daños causados por no instalar los productos como se especifica en el manual del propietario.
- ◆ Daños causados por modificaciones no autorizadas del producto o por no utilizar partes de repuesto originales de Pentair.
- ◆ Daños causados por negligencia o falta de mantenimiento adecuado de los productos como se especifica en el manual del propietario.
- ◆ Daños causados por el congelamiento del agua en el interior del producto.
- ◆ Daños accidentales, incendios, casos fortuitos u otras circunstancias fuera del control de Pentair.

Sin limitar lo anterior, operar un motor trifásico con energía monofásica a través de un convertidor de fase anulará la garantía. Tenga en cuenta también que los motores trifásicos deben estar protegidos por relés de sobrecarga de disparo ultrarrápido, con compensación ambiental y de tres patas del tamaño recomendado o la garantía quedará anulada.

Todos los diámetros de impulsores especificados en el programa de dimensionamiento de bombas BEC2 han sido probados y determinados para no exceder el factor de servicio del motor especificado. Se pueden solicitar diámetros de impulsor extragrandes; sin embargo, el uso de un impulsor extragrande anulará cualquier reclamo de garantía.

Su único recurso, y el único deber de BERKELEY bajo esta garantía, es que BERKELEY repare o reemplace los productos defectuosos (a elección de BERKELEY). LOS RECURSOS DESCRITOS AQUÍ SON SUS ÚNICOS Y EXCLUSIVOS RECURSOS Y NUESTRA TOTAL RESPONSABILIDAD POR CUALQUIER INCUMPLIMIENTO DE ESTA GARANTÍA.

Debe pagar todos los costos de mano de obra y envío asociados con la garantía y debe solicitar el servicio de garantía a través del distribuidor de instalación tan pronto como se descubra un problema. No se aceptará ninguna solicitud de servicio si se recibe después de que haya vencido el período de garantía. Esta garantía no es transferible.

LA RESPONSABILIDAD DE BERKELEY BAJO NINGUNA CIRCUNSTANCIA EXCEDERÁ EL MONTO REAL PAGADO POR USTED POR EL PRODUCTO EN CUESTIÓN. BERKELEY NO SERÁ RESPONSABLE, BAJO NINGUNA CIRCUNSTANCIA, DE CUALQUIER DAÑO O PÉRDIDA CONSECUENTE, INCIDENTAL, ESPECIAL, PUNITIVA O CONTINGENTE, NI DE NINGUNA OTRA CLASE, YA SEA DIRECTA O INDIRECTA. LA GARANTÍA ANTERIOR ES EXCLUSIVA. EXCEPTO POR LA GARANTÍA ESTABLECIDA EN EL PRESENTE DOCUMENTO, BERKELEY NO OFRECE NINGUNA GARANTÍA CON RESPECTO A LOS PRODUCTOS, INCLUYENDO, ENTRE OTRAS, NINGUNA GARANTÍA DE COMERCIABILIDAD O GARANTÍA DE IDONEIDAD PARA UN PROPÓSITO EN PARTICULAR, YA SEA EXPLÍCITA O IMPLÍCITA POR LEY, CURSO DE NEGOCIACIÓN, CURSO DE RENDIMIENTO, USO DE COMERCIO O DE OTRO TIPO.

LAS GARANTÍAS ANTERIORES NO SE EXTENDERÁN MÁS ALLÁ DE LA DURACIÓN PROPORCIONADA EN EL PRESENTE DOCUMENTO. Algunos estados no permiten la exclusión o limitación de daños incidentales o consecuentes o limitaciones en la duración de una garantía implícita, por lo que es posible que las limitaciones o exclusiones anteriores no se apliquen a usted. Esta garantía le otorga derechos legales específicos y también puede tener otros derechos que varían de un estado a otro.

Esta Garantía entra en vigencia el 14 de julio de 2020 y reemplaza a todas las garantías sin fecha y las garantías con fecha anterior al 14 de julio de 2020.

# GARANTÍA DE MYERS

## GARANTÍA LIMITADA

Myers® garantiza al comprador consumidor original ("Comprador" o "Usted") de los productos enumerados en la tabla a continuación, que estarán libres de defectos de material y mano de obra durante el período de garantía que se muestra en la tabla a continuación.

PRODUCTO	PERÍODO DE GARANTÍA LO QUE OCURRA PRIMERO:
Bombas inyectoras, bombas centrífugas pequeñas, bombas sumergibles y accesorios relacionados	12 meses a partir de la fecha de instalación original o 18 meses a partir de la fecha de fabricación.
Tanques de fibra	5 años a partir de la fecha de instalación original
Tanques de presión de acero	5 años a partir de la fecha de instalación original
Productos para sumidero/aguas residuales/efluentes/servicios públicos/batería de emergencia	36 meses a partir de la fecha de fabricación
Bombas de manejo de sólidos de aguas residuales	12 meses a partir de la fecha de envío desde la fábrica o 18 meses a partir de la fecha de fabricación

## LIMPIEZA DE BOQUILLAS (BAJA PRESIÓN)

Nuestra garantía se aplica únicamente cuando dichos productos se utilizan de conformidad con los requisitos del catálogo y/o los manuales de los productos correspondientes. Para obtener información adicional, consulte la garantía limitada estándar correspondiente que se incluye en el manual del producto.

Nuestra garantía no se aplicará a ningún producto que, a nuestro exclusivo criterio, haya sido objeto de negligencia, mala aplicación, instalación incorrecta o mantenimiento inadecuado. Sin limitar lo anterior, operar un motor trifásico con energía monofásica a través de un convertidor de fase anulará la garantía. Tenga en cuenta también que los motores trifásicos deben estar protegidos por relés de sobrecarga de disparo ultrarrápido, con compensación ambiental y de tres patas del tamaño recomendado o la garantía quedará anulada.

Su único recurso, y el único deber de MYERS bajo esta garantía, es que MYERS repare o reemplace los productos defectuosos (a elección de MYERS). Debe pagar todos los costos de mano de obra y envío asociados con la garantía y debe solicitar el servicio de garantía a través del distribuidor de instalación tan pronto como se descubra un problema. No se aceptará ninguna solicitud de servicio si se recibe después de que haya vencido el período de garantía. Esta garantía no es transferible.

MYERS NO SERÁ RESPONSABLE DE NINGÚN DAÑO CONSECUENTE, INCIDENTAL O CONTINGENTE.

LAS GARANTÍAS LIMITADAS ANTERIORES SON EXCLUSIVAS Y EN LUGAR DE TODAS LAS DEMÁS GARANTÍAS EXPLÍCITAS E IMPLÍCITAS, INCLUIDAS, ENTRE OTRAS, LAS GARANTÍAS IMPLÍCITAS DE COMERCIABILIDAD E IDONEIDAD PARA UN PROPÓSITO PARTICULAR. LAS GARANTÍAS LIMITADAS ANTERIORES NO SE EXTENDERÁN MÁS ALLÁ DE LA DURACIÓN PROPORCIONADA EN EL PRESENTE DOCUMENTO.

Algunos estados no permiten la exclusión o limitación de daños incidentales o consecuentes o limitaciones en la duración de una garantía implícita, por lo que es posible que las limitaciones o exclusiones anteriores no se apliquen a usted. Esta garantía le otorga derechos legales específicos y también puede tener otros derechos que varían de un estado a otro.

Esta Garantía limitada entra en vigencia el 1 de enero de 2021 y reemplaza todas las garantías sin fecha y las garantías con fecha anterior al 1 de enero de 2021.

# GARANTÍA DE STA-RITE

## GARANTÍA LIMITADA

STA-RITE garantiza al comprador consumidor original ("Comprador" o "Usted") de los productos enumerados en la tabla a continuación, que estarán libres de defectos de material y mano de obra durante el periodo de garantía que se muestra a continuación.

PRODUCTO	PERÍODO DE GARANTÍA LO QUE OCURRA PRIMERO:
Productos de sistemas de agua: bombas inyectoras, bombas centrífugas pequeñas, bombas sumergibles y accesorios relacionados	12 meses a partir de la fecha de instalación original o 18 meses a partir de la fecha de fabricación
Tanques de material compuesto Pro-Source™	5 años a partir de la fecha de instalación original
Tanques de presión de acero Pro-Source™	5 años a partir de la fecha de instalación original
Tanques revestidos con epoxi Pro-Source™	3 años a partir de la fecha de instalación original
Productos para sumidero/aguas residuales/efluentes	12 meses a partir de la fecha de instalación original o 18 meses a partir de la fecha de fabricación

Nuestra garantía no se aplicará a ningún producto que, a nuestro exclusivo criterio, haya sido objeto de negligencia, mala aplicación, instalación incorrecta o mantenimiento inadecuado. Sin limitar lo anterior, operar un motor trifásico con energía monofásica a través de un convertidor de fase anulará la garantía. Tenga en cuenta también que los motores trifásicos deben estar protegidos por relés de sobrecarga de disparo ultrarrápido, con compensación ambiental y de tres patas del tamaño recomendado o la garantía quedará anulada.

Su único recurso, y el único deber de STA-RITE, es que STA-RITE repare o reemplace los productos defectuosos (a elección de STA-RITE). Debe pagar todos los costos de mano de obra y envío asociados con la garantía y debe solicitar el servicio de garantía a través del distribuidor de instalación tan pronto como se descubra un problema. No se aceptará ninguna solicitud de servicio si se recibe después de que haya vencido el periodo de garantía. Esta garantía no es transferible.

STA-RITE NO SERÁ RESPONSABLE DE NINGÚN DAÑO CONSECUENTE, INCIDENTAL O CONTINGENTE. LAS GARANTÍAS LIMITADAS ANTERIORES SON EXCLUSIVAS Y EN LUGAR DE TODAS LAS DEMÁS GARANTÍAS EXPLÍCITAS E IMPLÍCITAS, INCLUIDAS, ENTRE OTRAS, LAS GARANTÍAS IMPLÍCITAS DE COMERCIABILIDAD E IDONEIDAD PARA UN PROPÓSITO PARTICULAR. LAS GARANTÍAS ANTERIORES NO SE EXTENDERÁN MÁS ALLÁ DE LA DURACIÓN PROPORCIONADA EXPRESAMENTE EN EL PRESENTE DOCUMENTO. Algunos estados no permiten la exclusión o limitación de daños incidentales o consecuentes o limitaciones en la duración de una garantía implícita, por lo que es posible que las limitaciones o exclusiones anteriores no se apliquen a usted. Esta garantía le otorga derechos legales específicos y también puede tener otros derechos que varían de un estado a otro.

Esta Garantía limitada entra en vigencia el 1 de junio de 2011 y reemplaza todas las garantías sin fecha y las garantías con fecha anterior al 1 de junio de 2011.



293 Wright St  
Delavan, WI 53115  
Teléfono:  
888.987.8677  
Fax: 800.426.9446

490 Pinebush Rd., Unit 4  
Cambridge, Ontario  
Canada N1t 0a5  
Teléfono: 800.363.7867  
pentair.com

Todas las marcas comerciales y los logotipos de Pentair indicados son propiedad de Pentair. Las marcas comerciales y los logotipos de terceros, registrados y no registrados, son propiedad de sus respectivos dueños. Como mejoramos continuamente nuestros productos y servicios, Pentair se reserva el derecho de modificar las especificaciones sin previo aviso. Pentair es un empleador que ofrece igualdad de oportunidades.

©2023 Pentair. Todos los derechos reservados.

P15001(09-01-23)