

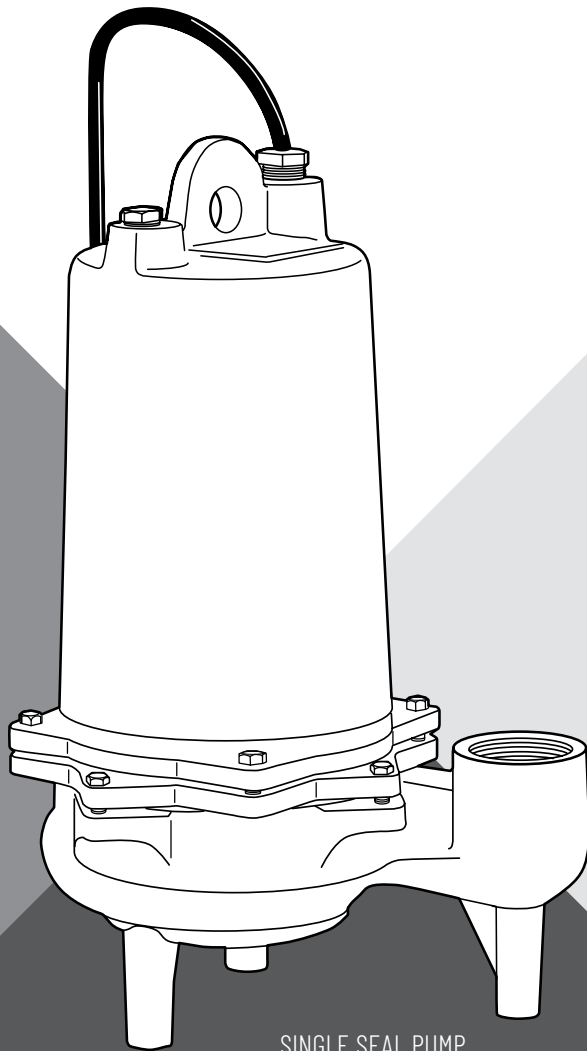


PENTAIR MYERS

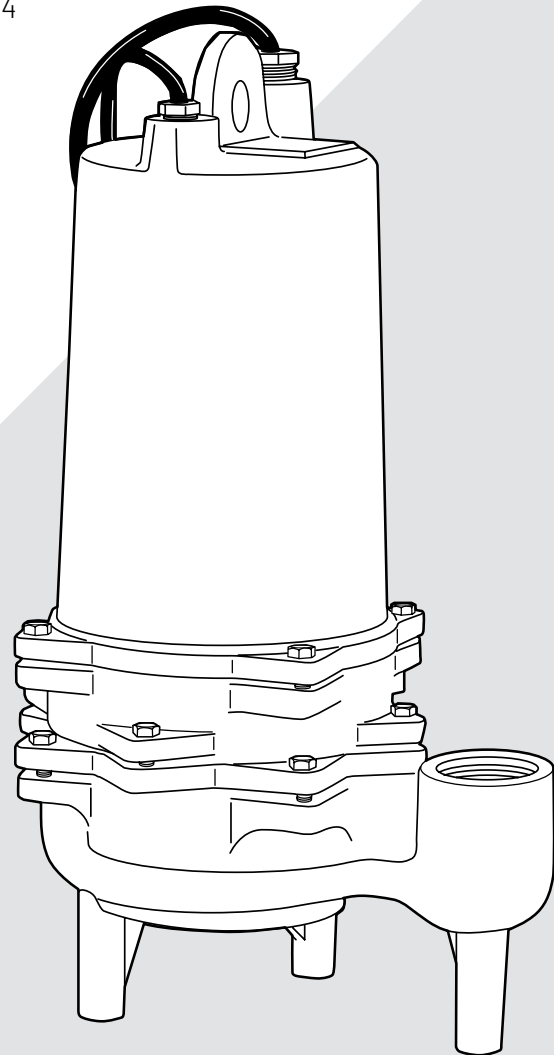
SUBMERSIBLE SUMP EFFLUENT & SEWAGE PUMPS

MWH50 • MW200 SERIES • ME50 • ME150 SERIES

ENGLISH: 3-18 • FRENCH: 21-36 • ESPANOL: 39-54



SINGLE SEAL PUMP



DOUBLE SEAL PUMP

INSTALLATION AND OPERATION MANUAL

pentair.com

TABLE OF CONTENTS:

ENGLISH

Safety Instructions.....	3
Description.....	4
Installation.....	5
Diagrams.....	6-8
Maintenance.....	9-10
Specifications.....	11
Dimension Charts.....	12-13
Single Seal Pump Specifications.....	14-15
Single Seal Pump Specifications.....	16-17
Standard Limited Warranty.....	18

FRENCH

Instructions de sécurité.....	21
Description.....	22
Installation.....	23
Diagrammes.....	24-26
Entretien.....	27-28
Spécifications.....	29
Tableaux de dimensions.....	30-31
Spécifications pour les pompes à joint simple.....	32-33
Spécifications pour les pompes à joint simple.....	34-35
Garantie limitée standard.....	36


SPANISH


Instrucciones de seguridad.....	39
Descripción.....	40
instalación.....	41
Diagramas.....	42-44
Mantenimiento.....	45-46
Especificaciones.....	47
Tablas de dimensiones.....	48-49
Especificaciones de bomba de sello único.....	50-51
Especificaciones de bomba de sello doble.....	52-53
Garantía limitada estándar.....	54


SAFETY INSTRUCTIONS


IMPORTANT SAFETY INSTRUCTIONS

SAVE THESE INSTRUCTIONS – This manual contains important instructions that should be followed during installation, operation, and maintenance of the product. Save this manual for future reference.

 This is the safety alert symbol. When you see this symbol on your pump or in this manual, look for one of the following signal words and be alert to the potential for personal injury!


 **DANGER** indicates a hazard which, if not avoided, *will* result in death or serious injury.

 **WARNING** indicates a hazard which, if not avoided, *could* result in death or serious injury.

 **CAUTION** indicates a hazard which, if not avoided, *could* result in minor or moderate injury.

NOTICE addresses practices not related to personal injury.

CALIFORNIA PROPOSITION 65 WARNING

 **WARNING** This product and related accessories contain chemicals known to the State of California to cause cancer, birth defects or other reproductive harm.

ELECTRICAL RISKS

Pumps with a single seal are supplied with a grounding conductor and grounding-type attachment plug on the power cord. To reduce the risk of electric shock:

- ◆ Be certain that it is connected only to a properly grounded, grounding-type receptacle.
- ◆ DO NOT cut off ground pin or use an adapter fitting.
- ◆ DO NOT use an extension cord with this pump.
- ◆ Entire plug may be cut off if a control panel is used.
- ◆ When wiring this pump follow all local electrical and safety codes and ordinances as well as the most recent National Electric Code (NEC-ANSI/NFPA 70).

All pumps have a GROUND WIRE that is connected to a screw in the metal motor housing. This wire goes to the receptacle or control box which must be connected to a good outside GROUND such as a metal water pipe or GROUND STAKE driven at least 8 feet into the ground.

WHEN OVERLOAD CURRENT PROTECTION IS PROVIDED BY INSTALLER:

USE WITH APPROVED MOTOR CONTROL THAT MATCHES MOTOR INPUT IN FULL LOAD AMPERES WITH OVERLOAD ELEMENT(S) SELECTED OR ADJUSTED IN ACCORDANCE WITH CONTROL INSTRUCTIONS.

WHEN MOTOR HAS BUILT-IN OVERLOAD PROTECTION:

USE WITH APPROVED MOTOR CONTROL THAT MATCHES MOTOR INPUT IN FULL LOAD AMPERES.

DESCRIPTION

DESCRIPTION

Myers ME and MW series pumps are available in both a single seal as well as a double seal design with leak detector. The ME50-ME150 models are designed for effluent dosing, Septic Tank Effluent Pumping (S.T.E.P.) or normal sump and general dewatering applications where higher pressure is required. These units are designed to handle 3/4" spherical solids. The MWH50-MW200 models are designed for raw sewage applications and can pass 2" spherical solids. These units can also be used for sump and general dewatering applications where larger solids capabilities are required.

When used in effluent dosing or S.T.E.P. applications, the pump must be installed in a separate tank or compartment at the discharger side of the septic tank. **Never install pump in tank where sludge collects.**

These pumps are available in single phase and three phase, and either in single seal or double seal with seal leak detector. All three phase units, all double seal units and all duplex installations must be used with a control box. All power cords and seal leak detector cords are 20 feet long.

The ME model impellers are enclosed two vane type to handle 3/4" spherical solids and are available made of engineered thermoplastic or optional naval bronze. All pumps have a 2" NPT discharge tapping.

The MW model impellers are enclosed two vane non-clog style, designed to handle 2" spherical solids. The MW pumps are available with standard cast iron or optional naval bronze impellers.

These pumps are NOT for use in swimming pools or fountains.

AIR LOCKING

A sump pump is said to be air locked if water traps air in the pump and it cannot get out, thus preventing the pump from operating.

In installation of this type a 1/8" hole should be drilled in the discharge pipe just above the pump discharge and a check valve should be installed 12 to 18 inches above pump discharge. Do not put check valve directly into pump discharge opening - follow local code.

PACKAGING

Each pump is packaged separately in a carton marked with a catalog number and the Myers engineering number.

LEVEL CONTROLS

All pumps must use sealed level control switches for automatic operation. MLC and MFLC controls have sealed switches that are 1 HP rated at 230 volts. ALC and AWS-1 controls have sealed mechanical switches that are rated 2 HP at 230 volts. Simplex

single phase pumps can be made automatic by attaching MFLC or MFS controls to the pump. These switches have a fixed draw off level of 8 to 10 inches and can be used up to 1 HP. For higher horsepower ratings two mercury switches (or SMNO) controls with a magnetic starter can be used. Simplex systems may also use on/off pilot mercury control switches (when permitted by code) with control box and magnetic starter. The ALC and AWS-1 controls can be used for simplex single phase pumps with ratings up to 2 HP. All duplex systems must use pilot mercury control switches with control box and magnetic starters.

Plug-in cords can be used on all the single phase pumps with a single seal (does not have a seal leak detector). This cord has a GROUND pin that plugs into a grounded receptacle. The grounded receptacle cannot be used in the wet sump or basin due to DANGER of current leakage. Sealed junction boxes must be used in wet sumps or basins to make connections to motor cord. The AWS-1 control also acts as a sealed junction box for connecting power cord to pump cord.

DOUBLE SEAL PUMPS

All pumps in this series "ME-D" or "MW-D" have two seals with an oil chamber between the seals so that the seal faces of both the lower and upper seals are oil lubricated for longer life and greater protection against water leaking into the motor windings. These double seal units are all made with a seal leak detector.

The leak detector in the oil seal chamber detects any water leakage into the chamber and turns on a red signal light in the control panel. Pumps should be removed from the sump and seals replaced after the seal light shows in the panel. Control panels must be used for pumps having the seal leak detectors, and seal leak detectors must be wired as illustrated in these instructions.

DESIGN OF PRESSURE SEWER SYSTEMS

MYERS has available complete computer SOFTWARE for designing PRESSURE SEWER SYSTEMS. This gives pipe sizes to use and gives exact flow from any pump or group of pumps in the system when operating simultaneously. This design DISK for IBM or COMPATIBLE computers is available to engineers on request.

INSTALLATION

MOTOR TYPE

Motors are ¾ frame, 1/2 – 2HP single or three phase, 60 Hertz, 3450 R.P.M. with class B insulation. All single phase motors are permanent split-capacitor (PSC) type with built-in on-winding overload protection and do not require a start switch or start relay. The three phase pump motors require a magnetic starter with 3 leg overload protection. All motors have upper and lower ball bearings and all are oil-cooled and lubricated.

⚠ WARNING Breathing hazard. Basin or tank must be vented in accordance with local plumbing codes. These pumps are not designed for and CANNOT be installed in locations classified as hazardous in accordance with the National Electric Code ANSI/NFPA 70.

- ◆ Never enter pump chamber after sewage or effluent has been in basin. Sewage water can give off methane, hydrogen sulfide and other gases which are highly poisonous.

Myers recommends installing ME series effluent pumps with a quick removal system. The quick removal system may be a union or quick-release coupling if the pipe or discharge hose is within reach from the surface, or a rail system type quick disconnect on deeper installations. See installation drawings for suggested installation.

The dosing tank or pumping chamber must be constructed of corrosion resistant materials and must be capable of withstanding all anticipated internal and external loads. It also must not allow infiltration or exfiltration. The tank must have provisions for anti-buoyancy. Access holes or covers must be of adequate size and be accessible from the surface to allow for installation and maintenance of the system. Access covers must be lockable or heavy enough to prevent easy access by unauthorized personnel. The pumping chamber holding capacity should be selected to allow for emergency conditions.

The discharge pipe must be the same size as the pump discharge (2 inches) or larger. In order to insure sufficient fluid velocity to prevent any residual solids from collecting in the discharge pipe, it is recommended that a minimum flow of 2 feet per second be maintained. (21 GPM through 2" pipe and 46 GPM through 3" pipe). It is recommended that PVC or equal pipe is used for corrosion resistance.

A full flow (ball or gate) shut off valve must be installed to prevent back flow of effluent if the pump must be removed for service. A check valve must be installed on pressure sewer systems and on other systems where conditions allow to prevent backflow and to reduce wear on the pump system.

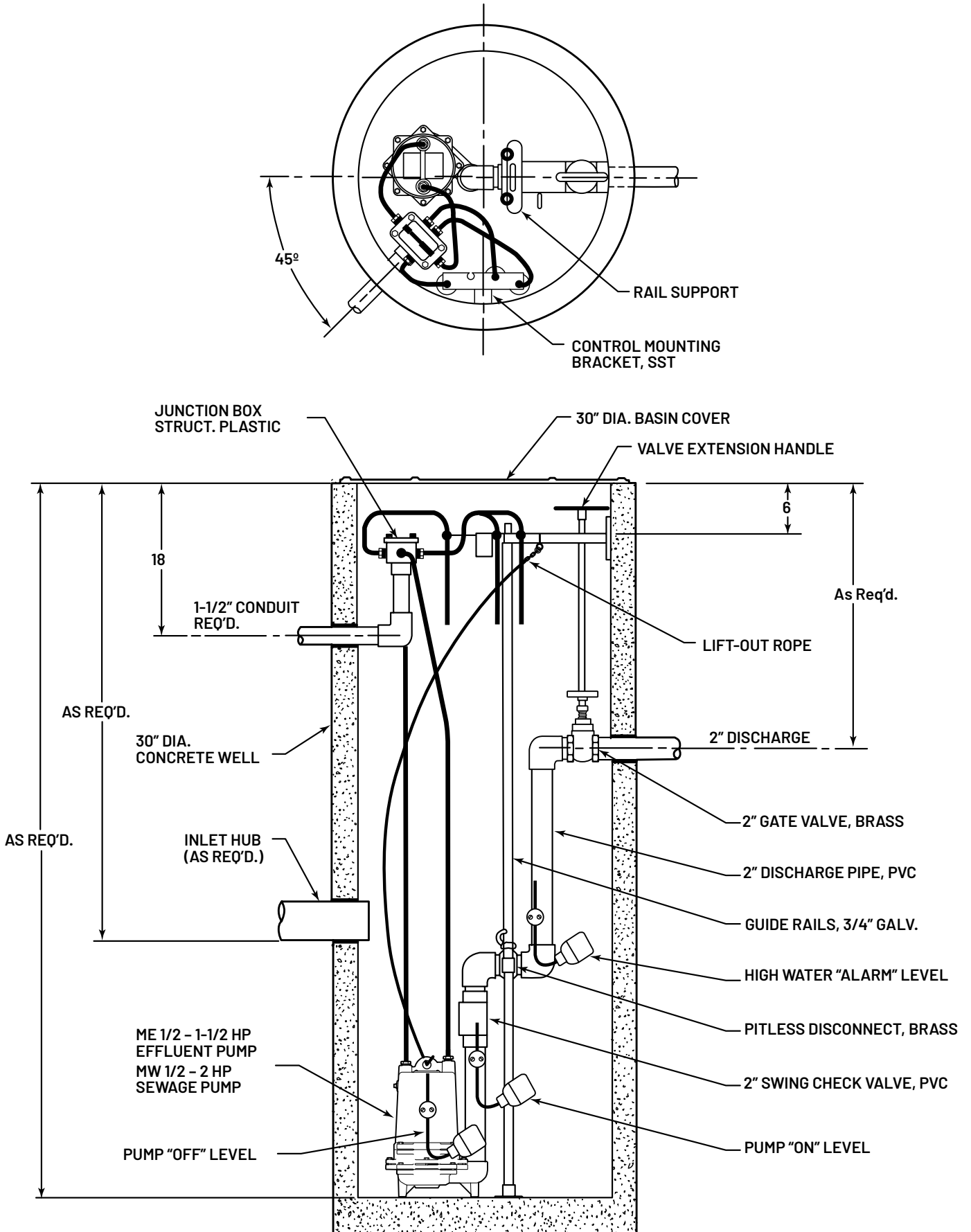
A high water alarm must be installed on a separate circuit from the pump circuit. The alarm should have the ability to be tested for proper operation.

SPECIAL INSTRUCTIONS FOR THREE PHASE PUMPS

1. Myers recommends three phase pumps to be installed by qualified personnel.
2. **⚠ WARNING Risk of electric shock.** Do not remove cord and strain relief. Do not connect conduit to pump.
3. Three phase pumps are always installed with control boxes having magnetic starters with 3 leg overload protection. DO NOT TRY TO RUN THREE PHASE PUMPS DIRECTLY ACROSS THE LINE.
4. **To Connect Pump:** Run wire from pump to the bottom of control box or appropriate junction box suitable for enclosing splice connections. A hole must be cut into the control box for the wires. With power to control box off, connect green (ground) line to ground lug. Connect black (power) wires to power lead terminals. Note: for a typical CE style control box, these terminals are marked M1, M2 and M3. Make sure that all wires are inside control box and not in a position to be pinched or shorted when the door is closed.

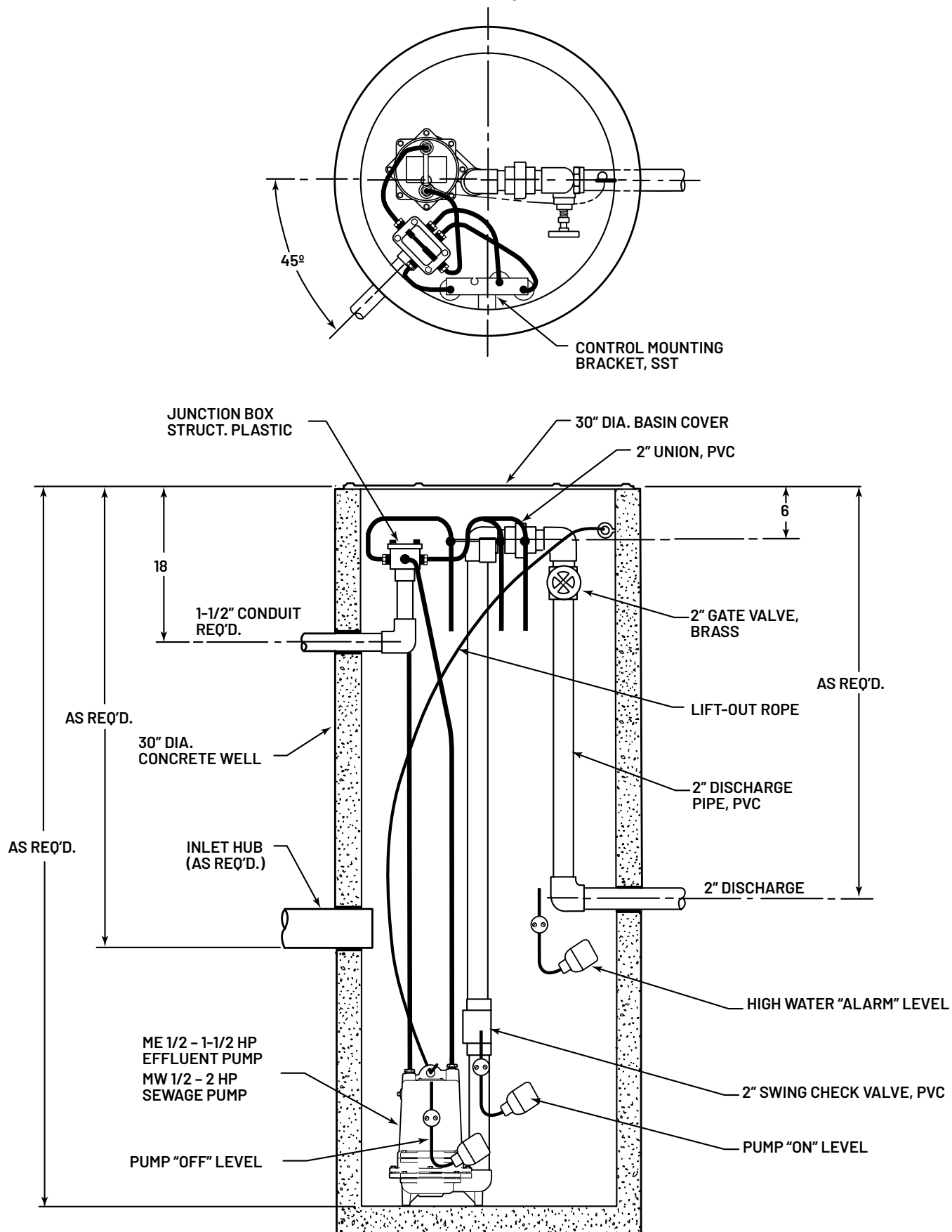
DIAGRAMS

30" Diameter Simplex ME/MW 1/2 - 2 HP



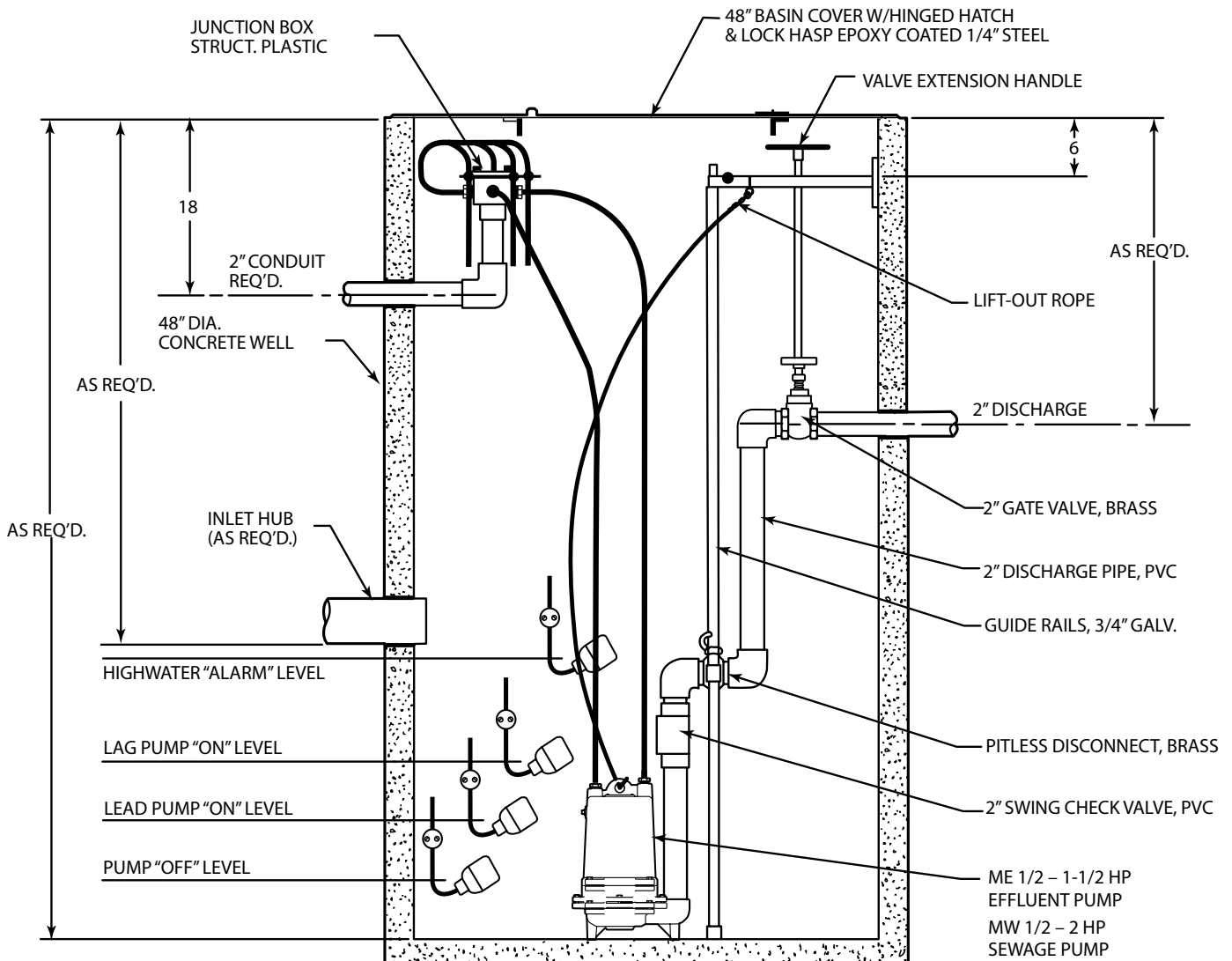
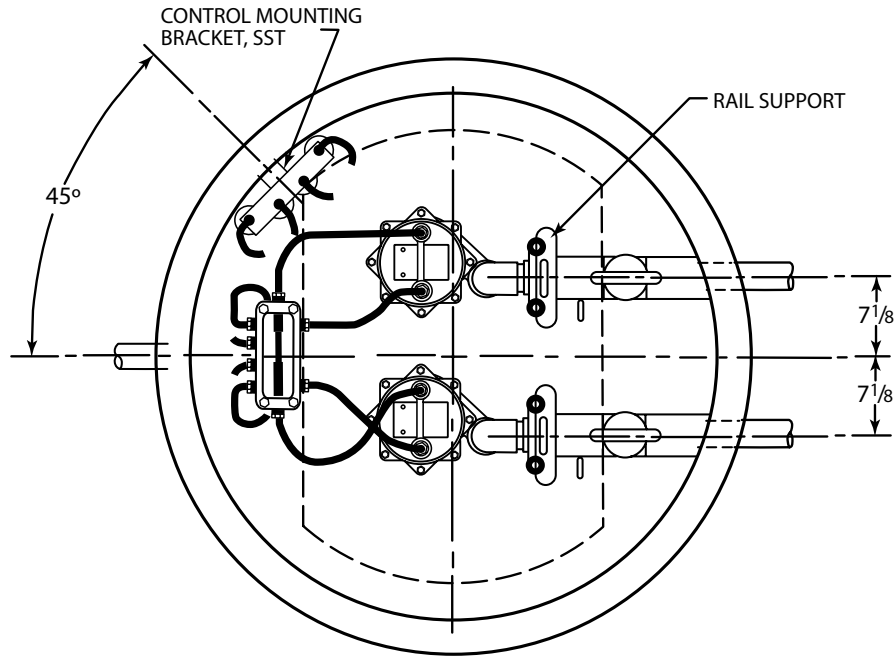
DIAGRAMS

30" Diameter Simplex Union System ME/MW 1/ - 2 HP



DIAGRAMS

48" Diameter Duplex ME/MW 1/2 - 2 HP



MAINTENANCE

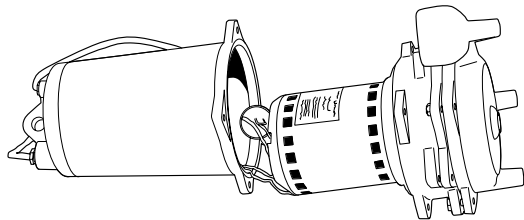
BEFORE DISMANTLING PUMP FOR REPLACEMENT OF PARTS

Clean pump thoroughly. Knock off all scale and deposits. Use sandblast if possible. Submerge complete unit in dilute bleach solution for one hour before disassembly.

TO REPLACE CAPACITORS ONLY

All of the single phase motors are of the permanent split capacitor type and have no relays or starting switch. They have only a starting capacitor that is in the circuit for both starting and running conditions.

1. Remove oil fill plug near the top of the motor and pour the oil out.
2. Loosen the pug nuts around the cords until they are loose enough to push the cords down inside of the motor housing.
3. Remove the four bolts from the motor housing and bump the housing with a plastic hammer to loosen. Lay the pump on its side.



4. Remove the housing carefully to be sure that enough cord is pushed into the housing to create no tension on the cords.
5. Slide motor housing up far enough to expose the capacitor and to be able to lay the housing down.
6. Disconnect wiring from capacitor and loosen capacitor clamp and slide out capacitor. Replace with new capacitor, tighten and re-connect. Wiring diagram is given in these instructions.
7. Check all wiring connectors to be sure they are secure.
8. Be sure tetraseal gasket is in place.
9. Slide motor housing back onto pump while pulling the cords out slowly. Assemble the motor housing with the four bolts.
10. Re-assemble cord nuts. Be sure washers are seated and cords are pulled up to stop against the washers. Tighten nuts securely.
11. Put pump upright and refill motor with refined paraffinic transformer oil, ¹Shellflex™ 2210 or equivalent. DO NOT OVER FILL WITH OIL. With pump upright fill oil to bottom of oil fill tapping. Replace oil fill plug
¹Shell Oil Company, Texas
12. Be sure pump turns freely before connecting to power. Turn pump on side and turn impeller, using screwdriver in slotted shaft. Plug pump into receptacle to test operation. Pump must run quiet and free of vibration.

TO REPLACE POWER CORD AND/OR SEAL LEAK DETECTOR CORD

Remove motor housing as described above. Disconnect the push-together terminals and remove the ground screw from the

power cord if being replaced.

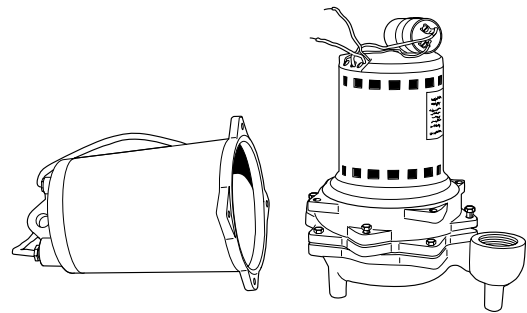
Completely unscrew cord bushing to be replaced and remove cord assembly from housing. Be sure remaining terminals are secure on the wires.

Replace with proper cord with fittings. Push cord into the motor housing far enough to make proper connections. Reconnect ground wire if replacing power cord and securely connect the wires correctly. See wiring diagram in these instructions.

Assemble cords and motor housing as described in **Capacitor Replacement**. Fill with oil as noted and be sure pump turns freely before connecting to power.

TO REPLACE MOTOR STATOR AND SHELL

1. Remove motor housing as described above.
2. Disconnect all leads from power and seal leak cords and ground wire and set pump upright.
3. Loosen the four long screw holding the motor and remove slowly. If unit has seal leak probes, be sure to feed the wires through the slots as the motor is being removed.
4. Either remove previous capacitor and clamp from old motor and assemble onto new stator and shell or replace with a new capacitor and assemble the two capacitor leads per wiring diagram.
5. Position bearing spring washer on top of upper ball bearing.
6. Tighten terminal screws of seal leak probes and feed wires through the motor slots.



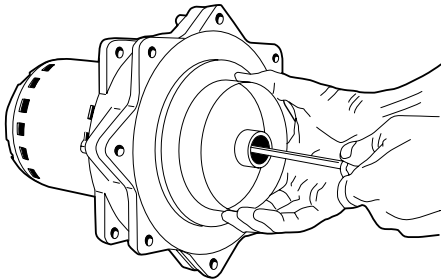
7. Position the "stator with shell" into place and line up screws with the bosses and tighten the (4) long screws. Extend probe wires out through the slots. Lay unit down in line with motor housing.
8. Be sure pump turns freely with screwdriver in impeller end of shaft.
9. Reconnect all terminals securely per wiring diagram.
10. Be sure tetraseal gasket is in place.
11. Reassemble motor housing and fill with oil as noted above in capacitor replacement.

NOTICE On three phase motors always check unit for proper rotation. With pump on its side apply power by turning on, then off, quickly. Impeller must turn counter-clockwise when looking into the impeller inlet. If not, interchange any two leads in the control box.

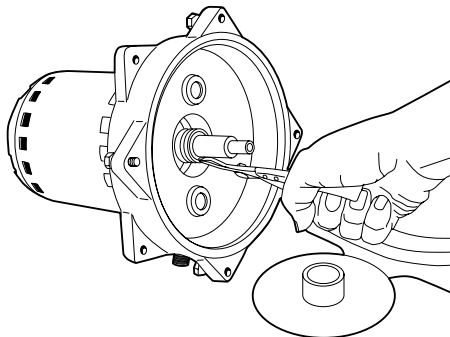
MAINTENANCE

SHAFT SEAL REPLACEMENT

1. Remove plugs in motor housing and in seal housing (for double seal units) and drain oil.
2. Remove four bolts holding the volute case and bump with a plastic hammer to loosen and remove case.
3. Hold impeller and unscrew impeller locking screw. Turn counterclockwise to loosen.
4. Pry off seal bellows and ceramic seat. Break seats if necessary to get out since they must be replaced with new parts.
5. NEVER USE OLD SEAL PARTS - USE ONLY COMPLETELY NEW SEALS. (Do not use seal spring retainer plate on single seal pump or lower seal of double seal pump.)
6. For single seal pumps or if only replacing the lower seal of a double seal pump, it is not necessary to disassemble further. On a double seal pump, it is not necessary to drain oil out of the motor housing, just the seal housing.

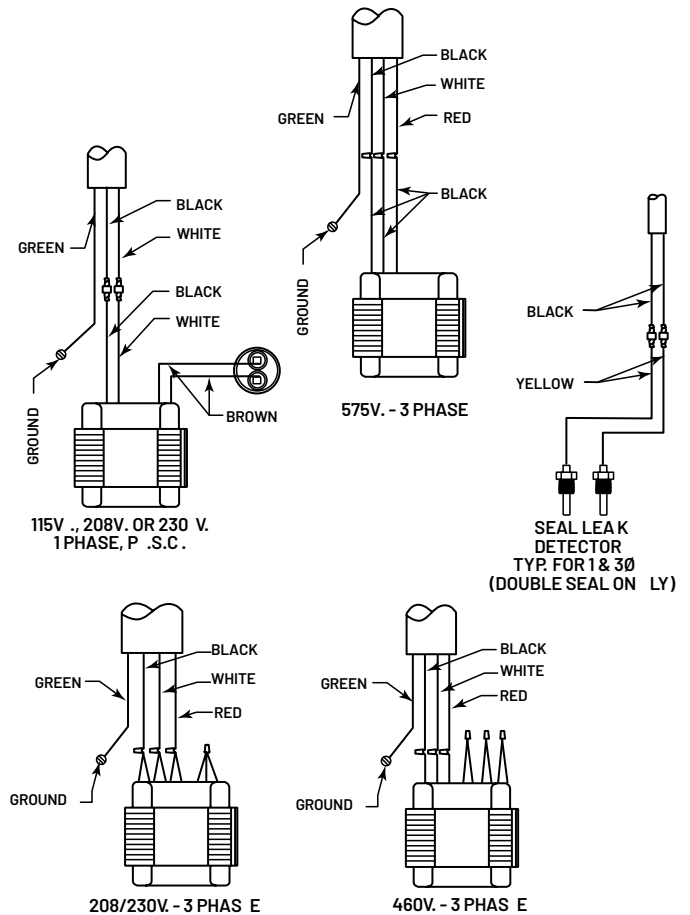


7. On a double seal pump, to remove the upper seal, remove four bolts holding the bottom plate and remove bottom plate.
8. Remove snap ring with snap ring pliers. Pry off upper seal bellows and ceramic seat.
9. If no water has entered motor housing (check winding with ohmmeter or megger) wipe seal chambers thoroughly and replace seals. (Use seal retainer plate on upper seal only; do not use on lower seal.) Clean seal faces and use light on face before installing bellows part of seal.



10. Check HUVA cup seal in volute case inlet. If worn, replace.
11. Be sure tetraseal gasket is in position (replace if worn) and reassemble.
12. Replace oil in motor housing and seal chamber. Use only Myers submersible oil.
13. Be sure pump turns freely before connecting to power. After connecting, check for proper rotation noted under **Stator Replacement.**

WIRING DIAGRAM

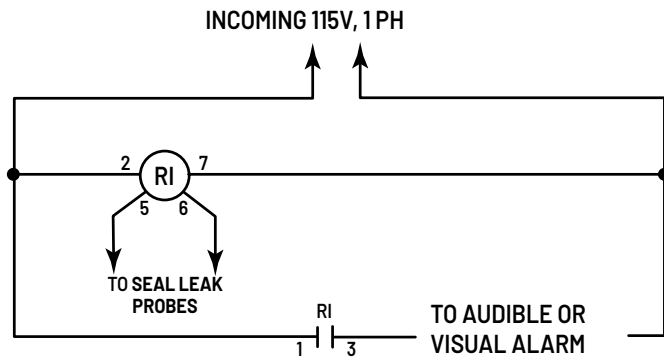


3 PHASE DUAL VOLTAGE WINDING

Voltage	Leads			
	Black	White	Red	Together
208 & 230	1 & 7	2 & 8	3 & 9	4 & 5 & 6
460	1	2	3	4 & 7, 5 & 8, 6 & 9

SPECIFICATIONS

MOISTURE SENSOR SEAL PROBE CIRCUIT



Relay: SSAC Inc. #LLC44A5A

Socket: Standard 8-pin plug-in type

If Myers panel is used see below.

Pumps: ME50D-11,
ME75D-11

Required Panel:

CMEP(SL)-11S, -11SW, -11D, or -11DW

Pumps: ME50D-01, ME50D-21,
ME75D-01, ME75D-21,
ME100D-01, ME100D-21,
ME150D-01, ME150D-21,
MWH50D-01, MWH50D-21,
MW100D-01, MW100D-21,
MW150D-01, MW150D-21,
MW200D-01, MW200D-21

Required Panel:

CMEP(SL)-21S, -21SW, -21D, or -21DW

Pumps: ME50D-03, ME50D-23,
ME75D-03, ME75D-23,
ME100D-03, ME100D-23,
ME150D-03, ME150D-23,
MWH50D-03, MWH50D-23,
MW100D-03, MW100D-23,
MW150D-03, MW150D-23,
MW200D-03, MW200D-23

Required Panel:

CMEP(SL)-23S, -23SW, -23D, or -23DW

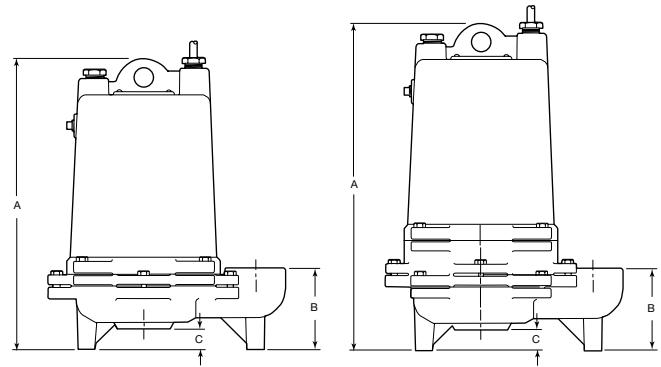
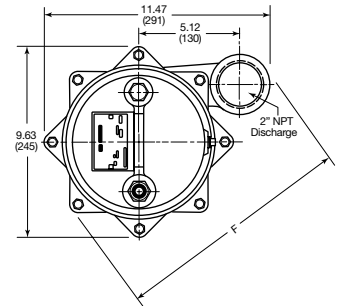
Pumps: ME50D-43,
ME75D-43,
ME100D-43,
ME150D-43,
MWH50D-43,
MW100D-43,
MW150D-43,
MW200D-43

Required Panel:

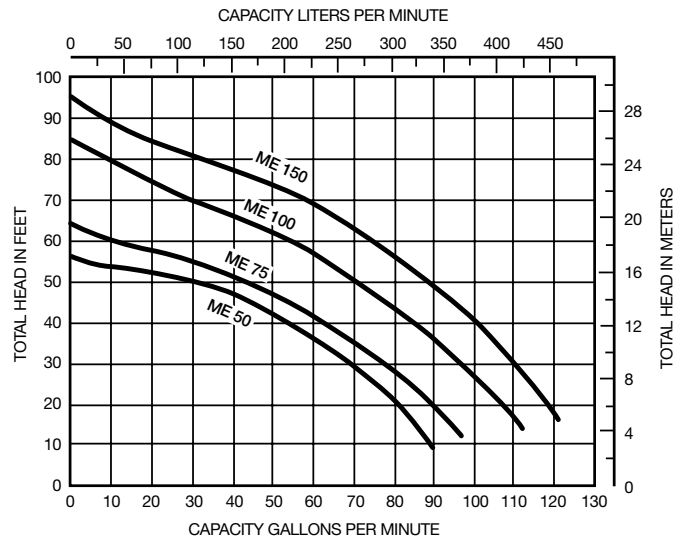
CMEP(SL)-43S, -43SW, -43D, or -43DW

ME SERIES DIMENSIONS

Model Series	Inches (millimeters)			
	A	B	C	F
ME50S	16.8 (427)	4.09	1.03	12.13
ME50D	18.6 (472)	(104)	(26)	(308)
ME75S, ME100S, ME150S	16.8 (427)	4.0	1.06	12.5
ME75D, ME100D, ME150D	18.6 (472)	(102)	(27)	(318)

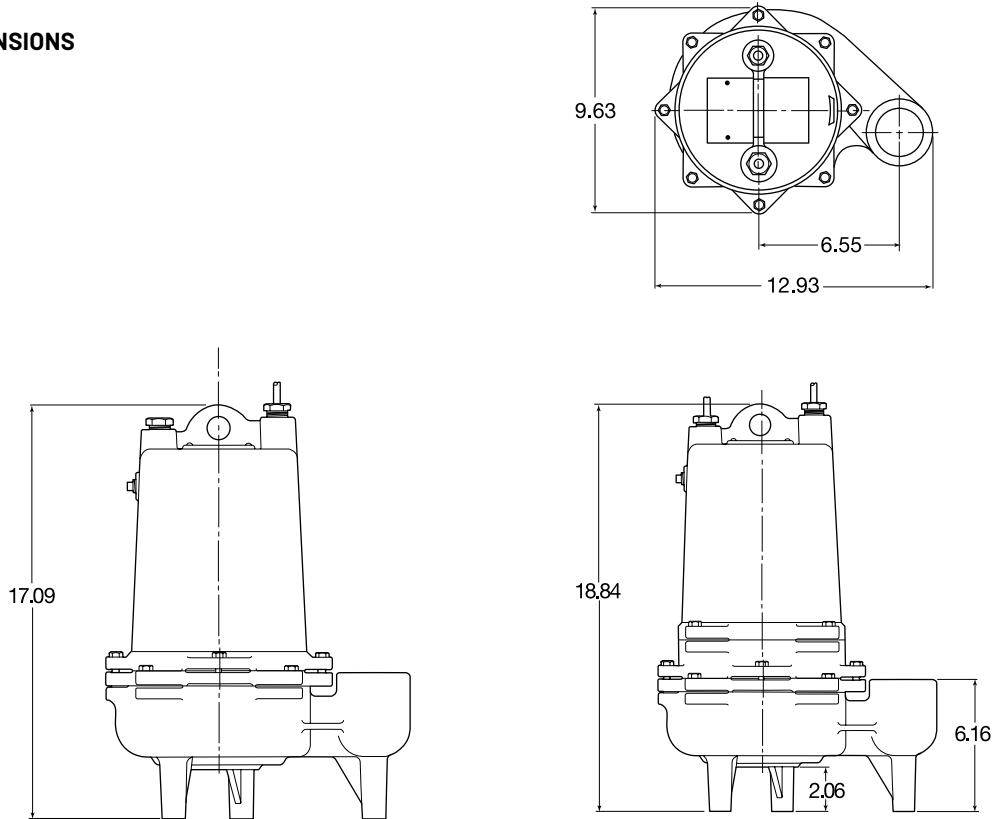


ME PERFORMANCE CURVE

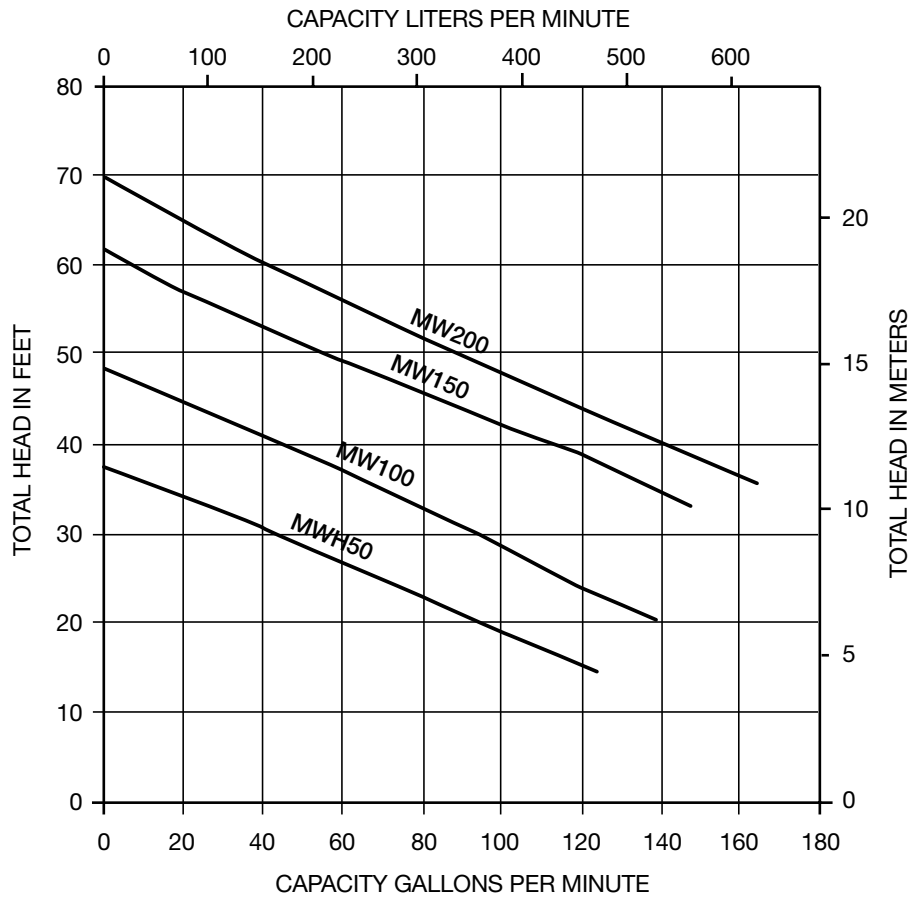


DIMENSION CHARTS

MW SERIES DIMENSIONS



MW PERFORMANCE CURVE



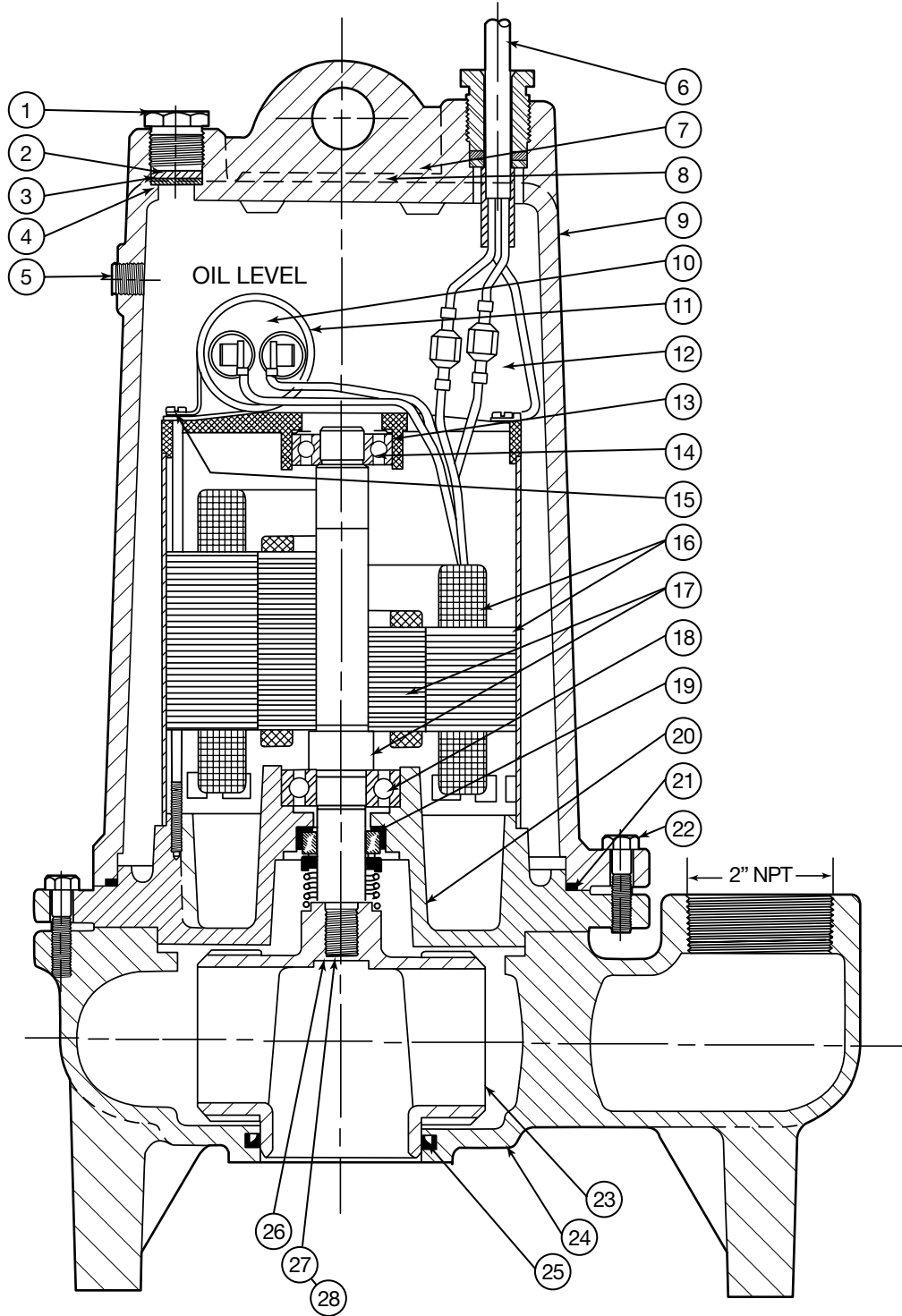
DIMENSION CHARTS

MOTOR DATA CHART

H.P.	Speed	Volts	Phase	Stack Height	Winding Resistance In Ohms			Max. Amps	Locked Rotor Amps		
					Main Black To White	Start - 1Ø	White To Red				
						Brn. To Brn. Or Purple					
					Black To Red - 3Ø						
ME Series											
1/2	3450	115	1	1-5/8	.9/.8	14.7	-	12.1	29.6		
		208				6.7		16.5			
		230				6.0		15.0			
		208/230	3		11.3	11.3	11.3	3.5/3.2	12.8		
		460			45.4	45.4	45.4	1.6	6.4		
		575			71.0	71.0	71.0	1.3	5.1		
3/4	3450	115	1	2-1/4	.85	4.9	-	13.8	30.4		
		208/230			4.5	12.0		7.6/6.9	16.2		
		208/230	3	2	7.6	7.6	7.6	5.2/4.7	20.2		
		460			30.1	30.1	30.1	2.3	10.1		
		575			47.0	47.0	47.0	1.9	8.1		
1	3450	208	1	2-3/4			-	10.3	21.0		
		230			3.0/2.6	16/14		9.3	19.0		
		208/230	3	2-1/2	5.3	5.3	5.3	6.6/6.0	29.0		
		460			21.2	21.2	21.2	3.0	14.5		
		575			33.1	33.1	33.1	2.4	11.6		
1-1/2	3450	208	1	2-3/4			-	14.1			
		230			2.4	12.0		12.8	23.0		
		208/230	3		4.5	4.5	4.5	8.8/8.0	30.0		
		460			16.0	16.0	16.0	4.0	15.0		
		575			25.0	25.0	25.0	3.2	12.0		
MW Series											
1/2	3450	208	1	2-1/4	4.5	12.0	-	7.6	16.2		
		230			6.9						
		208	3	2	7.6	7.6	7.6	5.2	20.2		
		230			4.7						
		460			30.1	30.1	30.1	2.3		10.1	
1	3450	575	1	2-3/4	47.0	47.0	47.0	1.9	8.1		
		208			2.2	11.5	-	10.3	21.0		
		230			2.8	15.0		9.3	19.0		
		208			3	2-1/2	5.3	5.3	5.3	6.6	29.0
		230					6.0				
460	21.2	21.2	21.2	3.0			14.5				
1-1/2	3450	575	1	2-3/4	33.1	33.1	33.1	2.4	11.6		
		208			2.1	9.3	-	14.8	39.9		
		230			1.6	7.4		12.8	33.4		
		208			3	2-3/4	4.5	4.5	4.5	7.7	30.0
		230					7.0				
460	18.0	18.0	18.0	3.5			15.0				
2	3450	575	1	2-3/4	28.0	28.0	28.0	2.8	12.0		
		208			2.1	9.3	-	15.3	39.9		
		230			1.6	7.4		13.1	33.4		
		208			3	2-3/4	4.5	4.5	4.5	8.5	30.0
		230					7.7				
460	18.0	18.0	18.0	3.9			15.0				
575	28.0	28.0	28.0	3.1	12.0						

SINGLE SEAL PUMP SPECIFICATIONS

TYPICAL SECTION DRAWING FOR ME/MW50-200 SINGLE SEAL PUMPS



SINGLE SEAL PUMP SPECIFICATIONS

SINGLE SEAL REPAIR PARTS LIST

Ref.	Description	Qty.	Part Numbers
1	Nut, cord plug, solid	1	25341A002
2	Washer, 1/32" Thk.	1	05030A234
3	Gasket, Rubber	1	05014A193
4	Washer, 3/32" Thk.	1	05030A235
5	Plug, 1/4" pipe	1	05022A009
6	Cord, Power	1	See Chart
7	Screw, drive	2	05160A004
8	Name Plate	1	N/A
9	Housing, Motor	1	25327D000
10	Capacitor (1Ph only)	1	See Chart
11	Clip, capacitor (1 Ph only)	1	See Chart
12	Oil, Transformer	.8-1 gal	11009A006
12A	Connectors (3 Ph only)	3-6	15781A001
13	Washer, bearing	1	19331A005
14	Bearing, ball, upper	1	08565A013
15	Screw, st, #10 x 3/8	2	09822A032

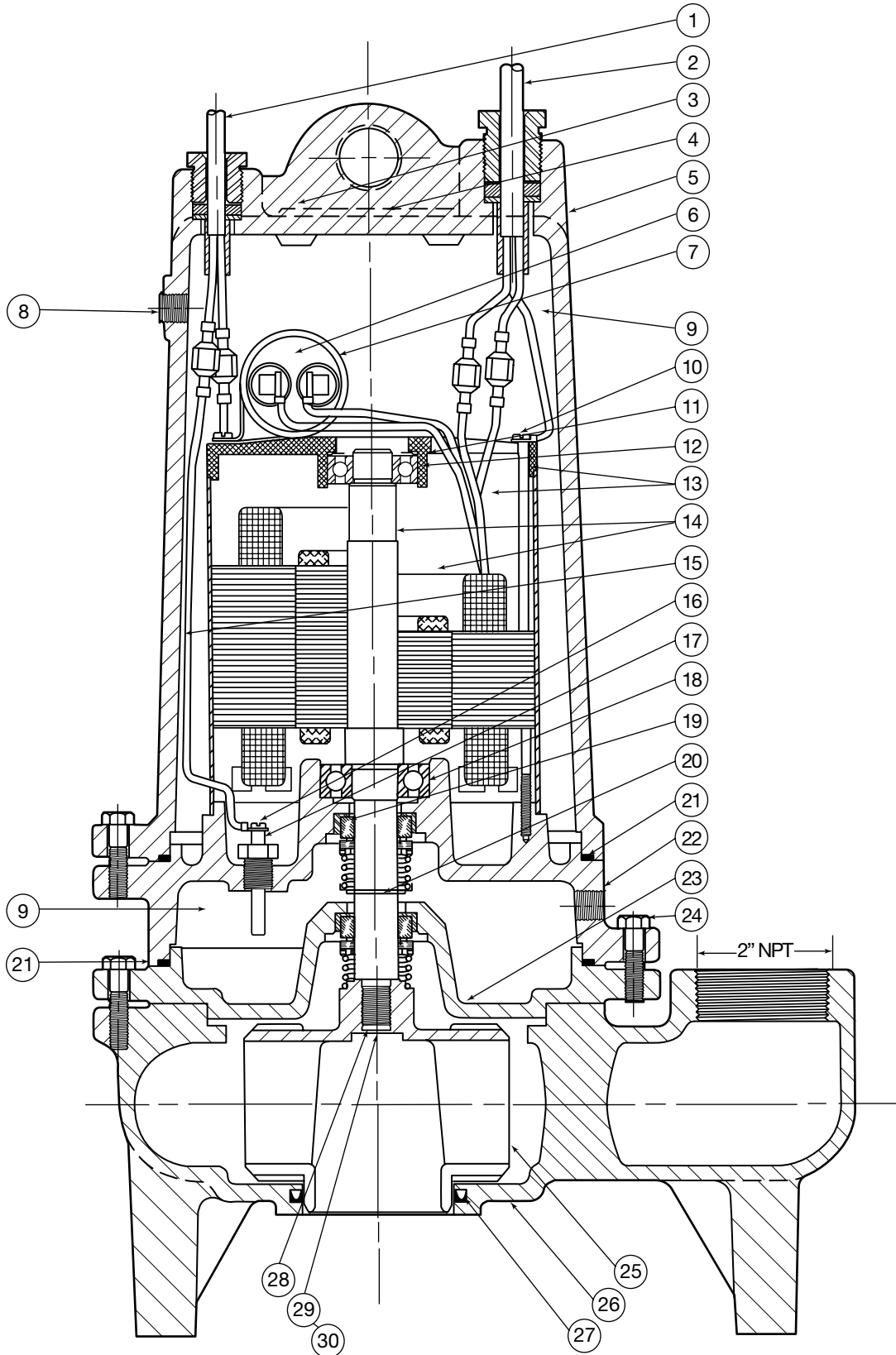
Ref.	Description	Qty.	Part Number
16 & 17	Stator, Rotor shaft with shell	1	See Chart
18	Bearing, ball, lower	1	08565A022
19	Seal, shaft	1	25370A000
20	Plate, brg & seal	1	25367D000
21	Gasket, tetraseal, 7x6-3/4x1/8	1	05014A181
22	Screw, cap, 5/16 x 1-1/4	8	19100A012
23	Impeller	1	See Chart
24	Case, volute (ME50)	1	25357D000
	Case, volute (ME75-150)	1	25331D000
	Case, volute (MWH5-200)	1	26057D000
25	Cup, U, HUVA (ME50-150)	1	22835A005
	Cup, U, HUVA (MWH50-200)	1	22835A009
26	Washer, Impeller Retainer	1	05030A242
27	Screw, Machine #10 x 3/8	1	06106A042
28	Sealant	1	14550A001

Unit manufactured prior to Aug-2007 contact factory for repair parts.

Item Number			6		10	11	16 & 17	23											
HP	Volts	PH	Power Cord W/Plug	Power Cord No Plug	Capacitor	Capacitor Clip	Stator Rotor & Shaft Ass'y	ME Impeller Plastic	ME Impeller Optional Naval Bronze	MW Impeller DI	MWH Impeller Optional Naval Bronze								
1/2	115	1	25338B004	25338B006	23839A000	20333A006	25484D100	25333B025	25348B121	26029B013	26029B113								
	208		25338B005				25484D101												
	230						25484D102												
	460	3					25484D103												
	575		25484D100																
	3/4	115	1				25338B000					25338B002	23839A000	20333A006	25484D101	25348B020	25348B120		
208		25338B001		25484D102															
230				25484D103															
460			3	25484D104															
575		25484D105																	
1		208	1	25338B001	25338A002	23838A000	20333A004	25484D106	25348B010	25348B110	26029B012				26029B112				
	230	3		25484D107															
	460			25484D104															
	575		25484D105																
	1-1/2	208	1	25338B001				25338B002				23838A000	20333A004	25484D106		25348B000	25348B100	26029B011	26029B111
		230		3										25484D104					
460		25484D105																	
575		25484D106																	
2		208	1	25338B009	25338B008	23839A000	20333A006		25484D108					26029B000	26029B100				
		230		26520A000		25484D109													
	460	3		25484D110															
	575		25484D111																
			25484D112																

DOUBLE SEAL PUMP SPECIFICATIONS

TYPICAL SECTION DRAWING FOR ME/MW50-200 DOUBLE SEAL PUMPS



DOUBLE SEAL PUMP SPECIFICATIONS

DOUBLE SEAL REPAIR PARTS LIST

Ref.	Description	Qty.	Part Number
1	Cord, Sensor	1	25339B000
2	Cord, Power	1	See Chart
3	Screw, drive	2	05160A004
4	Name Plate	1	N/A
5	Housing, Motor	1	25327D000
6	Capacitor (1Ph only)	1	See Chart
7	Clip, capacitor (1Ph only)	1	See Chart
8	Plug, 1/4" pipe	1	05022A009
9	Oil, Transformer	1.12 gal	11009A006
9A	Connectors (3 Ph only)	3-6	15781A001
10	Screw, st, #10 x 3/8	2	09822A032
11	Washer, bearing	1	19331A005
12	Bearing, ball, upper	1	08565A013
13 & 14	Stator, Rotor shaft with shell	1	See Chart
15	Wire, electrode	2	21792A004
16	Screw, #6 x 1/4	2	05434A025
17	Seal Probe	2	25343A000

Ref.	Description	Qty.	Part Number
18	Bearing, ball, lower	1	08565A022
19	Seal, shaft	1	25370A000
20	Ring, retaining	2	12558A021
	Ring, retaining	1	12558A033
21	Gasket, tetraseal, 7x6-3/4x1/8	2	05014A181
22	Housing seal	1	25369D000
23	Plate, bottom	1	25368D000
24	Screw, cap 5/16 x 1-1/4	12	19100A012
25	Impeller	1	See Chart
26	Case, volute (ME50)	1	25357D000
	Case, volute (ME75-150)	1	25331D000
	Case, volute (MWH50-200)	1	26057D000
27	Cup, U, HUVA (ME50-150)	1	22835A005
	Cup, U, HUVA (MWH50-200)	1	22835A009
28	Washer, Impeller Retainer	1	05030A242
29	Screw, Machine #10 x 3/8	1	06106A042
30	Sealant	1	14550A001

Unit manufactured prior to Aug-2007 contact factory for repair parts.

Item Number			2		6	7	13 & 14	25				
HP	Volts	PH	Power Cord W/Plug	Power Cord No Plug	Capacitor	Capacitor Clip	Stator Rotor & Shaft Ass'y	ME Impeller Plastic	ME Impeller Optional Naval Bronze	MW Impeller DI	MWH Impeller Optional Naval Bronze	
1/2	208	1	25338B005	25338B006	23839A000	20333A006	25484D201	25333B025	25348B121	26029B013	26029B113	
	230											
	208	3					25338B003					25484D202
	230											
	460											
575	25484D203											
3/4	208	1	25338B001	25338B002	23839A000	20333A006	25484D201	25348B020	25348B120			
	230											
	208	3					25338B003					25484D202
	230											
	460											
575	25484D203											
1	208	1	25338B001	25338B002	23838A000	20333A004	25484D205	25348B010	25348B110	26029B012	26029B112	
	230											
	208	3					25338B003					25484D206
	230											
	460											
575	25484D207											
1-1/2	208	1	25338B001	25338B002	23838A000	20333A004	25484D205	25348B000	25348B100	26029B011	26029B111	
	230											
	208	3					25338B003					25484D206
	230											
	460											
575	25484D207											
2	208	1	25338B001	25338B002	26520A002		25484D209			26029B000	26029B100	
	230											
	208	3					25338B003					25484D211
	230											
	460											
575	25484D212											

STANDARD LIMITED WARRANTY

Limited Warranty

Myers warrants to the original consumer purchaser ("Purchaser" or "You") of the products listed below, that they will be free from defects in material and workmanship for the Warranty Period shown below.

Product	Warranty Period whichever occurs first:
Jet pumps, small centrifugal pumps, submersible pumps and related accessories	12 months from date of original installation, or 18 months from date of manufacture
Fibrewound Tanks	5 years from date of original installation
Steel Pressure Tanks	5 years from date of original installation
Sump/Sewage/Effluent Products	12 months from date of original installation, or 36 months from date of manufacture
Battery Backup Units MBSP-2, MBSP-2C	12 months from date of original installation, or 18 months from date of manufacture
MBSP-3, MBSP-3C	24 months from date of original installation, or 30 months from date of manufacture
Wastewater Solids Handling Pumps	12 months from date of shipment from factory or 18 months from date of manufacture

Our warranty applies only where such products are used in compliance with the requirements of the applicable product catalog and/or manuals. For additional information, please refer to the applicable standard limited warranty featured in the product manual.

Our warranty will not apply to any product that, in our sole judgement, has been subject to negligence, misapplication, improper installation, or improper maintenance. Without limiting the foregoing, operating a three phase motor with single phase power through a phase converter will void the warranty. Note also that three phase motors must be protected by three-leg, ambient compensated, extra-quick trip overload relays of the recommended size or the warranty is void.

Your only remedy, and MYERS's only duty, is that MYERS repair or replace defective products (at MYERS's choice). You must pay all labor and shipping charges associated with this warranty and must request warranty service through the installing dealer as soon as a problem is discovered. No request for service will be accepted if received after the Warranty Period has expired. This warranty is not transferable.

MYERS SHALL NOT BE LIABLE FOR ANY CONSEQUENTIAL, INCIDENTAL, OR CONTINGENT DAMAGES WHATSOEVER.

THE FOREGOING LIMITED WARRANTIES ARE EXCLUSIVE AND IN LIEU OF ALL OTHER EXPRESS AND IMPLIED WARRANTIES, INCLUDING BUT NOT LIMITED TO IMPLIED WARRANTIES OF MERCHANTABILITY AND FITNESS FOR A PARTICULAR PURPOSE. THE FOREGOING LIMITED WARRANTIES SHALL NOT EXTEND BEYOND THE DURATION PROVIDED HEREIN.

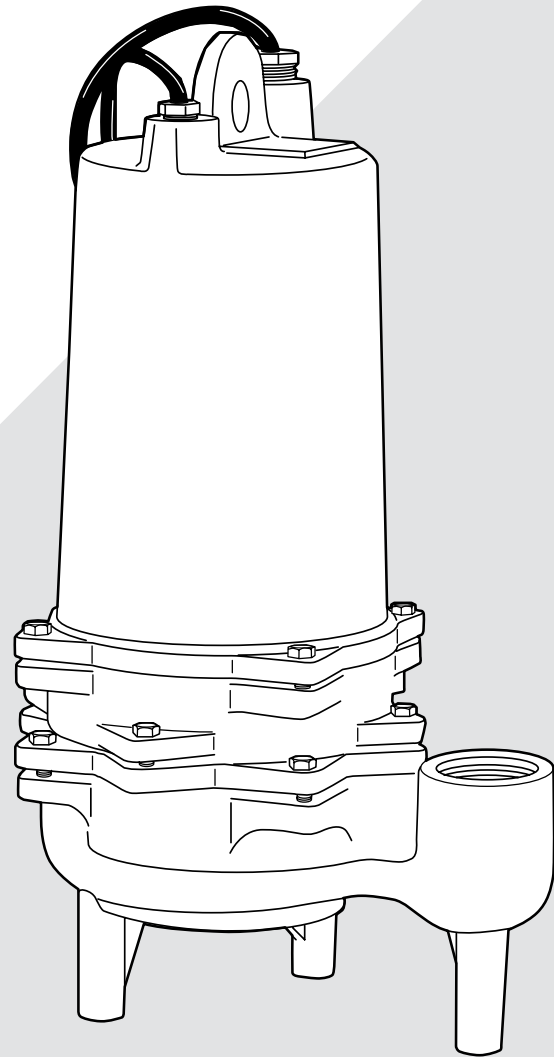
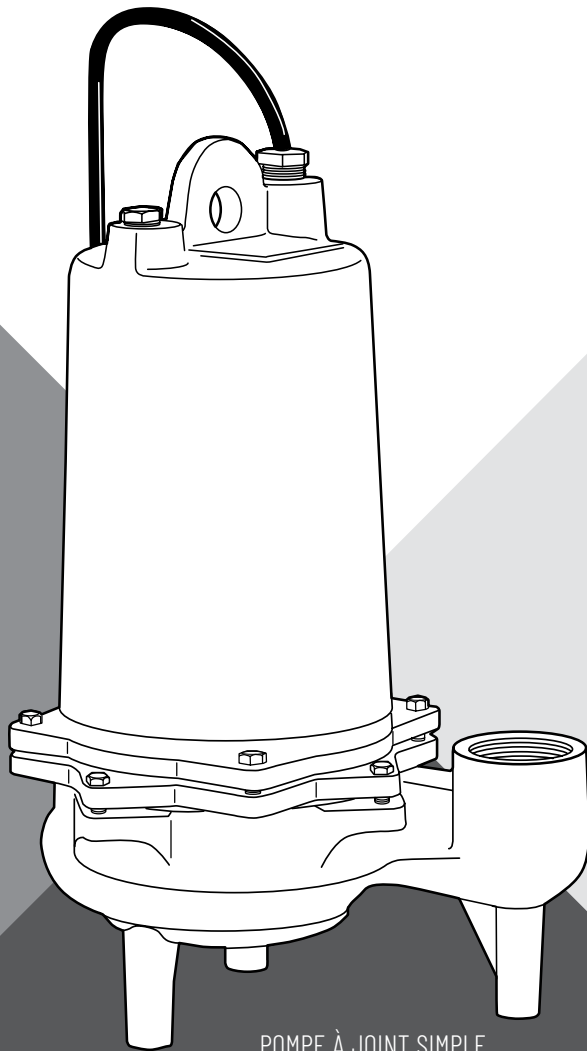
NOTES



POMPES D'EFFLUENT ET DE PUISARD SUBMERSIBLES

MWH50 ♦ MW200 SERIES

ME50 ♦ ME150 SERIES




MANUEL D'INSTALLATION ET D'UTILISATION


pentair.com


INSTRUCTIONS DE SÉCURITÉ


INSTRUCTIONS DE SÉCURITÉ IMPORTANTES

CONSERVEZ CES INSTRUCTIONS - Ce manuel contient des instructions importantes qui devraient être suivies au moment de l'installation, de l'utilisation et de l'entretien de ce produit. Conservez ce manuel à des fins de référence future.

 Voici le symbole d'alerte de sécurité. Lorsque vous voyez ce symbole sur votre pompe ou dans ce manuel, recherchez l'un des termes signalétiques suivants et soyez vigilant face au risque de blessure!


 **DANGER** indique qu'un danger, s'il n'est pas évité, *pourrait* causer la mort ou des blessures sévères.

 **AVERTISSEMENT** indique qu'un danger, s'il n'est pas évité, *pourrait* causer la mort ou des blessures sévères.

 **MISE EN GARDE** indique qu'un danger, s'il n'est pas évité, *pourrait* causer des blessures légères ou mineures.

AVERTISSEMENT traite des pratiques qui ne sont pas liées à des blessures personnelles.

AVERTISSEMENT PROPOSITION 65 DE LA CALIFORNIE

 Ce produit et ses accessoires contiennent des produits chimiques connus dans l'État de Californie pour causer le cancer, des déficiences congénitales ou d'autres problèmes de reproduction.

RISQUES ÉLECTRIQUES

Les pompes à joint simple sont munies d'un conducteur de terre et d'une prise d'attache de terre sur le cordon d'alimentation. Pour réduire les risques de choc électrique :

- ◆ Assurez-vous qu'il n'est connecté qu'à un réceptacle de terre bien installé dans le sol.
- ◆ NE PAS couper la broche de terre et utiliser un adaptateur.
- ◆ NE PAS utiliser une extension avec cette pompe.
- ◆ La prise entière pourrait être coupée si le panneau de commande est utilisé.
- ◆ Lors du câblage de cette pompe, suivez tous les codes et toutes les consignes de sécurité locaux ainsi que le plus récent National Electric Code (NEC-ANSI/NFPA 70).

Toutes les pompes sont munies d'un CÂBLE DE TERRE qui est connecté à une vis dans le boîtier en métal du moteur. Ce câble passe par le réceptacle ou la boîte de commande qui doit être connectée à un objet de TERRE approprié comme un tuyau de canalisation en métal ou un PIQUET DE TERRE enfoncé à au moins 244 cm dans le sol.

LORSQUE LA PROTECTION CONTRE LA SURCHARGE DE COURANT EST FOURNIE PAR L'INSTALLATEUR :

UTILISER AVEC UNE COMMANDE DE MOTEUR APPROPRIÉE QUI CORRESPOND À L'ENTRÉE DE MOTEUR À PLEINE CHARGE AVEC LE OU LES ÉLÉMENTS DE SURCHARGE SÉLECTIONNÉS OU AJUSTÉS EN CONFORMITÉ AVEC LES INSTRUCTIONS DE COMMANDE.

LORSQUE LE MOTEUR EST MUNI D'UNE PROTECTION CONTRE LA SURCHARGE INTÉGRÉE :

UTILISER AVEC UNE COMMANDE DE MOTEUR APPROUVÉE QUI CORRESPOND À L'ENTRÉE DE MOTEUR À PLEINE CHARGE.

DESCRIPTION

DESCRIPTION

Les pompes Myers ME et MW series sont offertes dans les modèles à joint simple ou à joint double avec détecteur de fuite. Les modèles ME50-ME150 sont conçus pour le dosage d'effluent, le pompage de réservoir de fausse sceptique, pour les puisards ou les opérations générales d'assèchement lorsqu'une forte pression est requise. Ces unités sont conçues pour traiter des particules solides sphériques de 2 cm. Les modèles MWH50-MW200 sont conçus pour les eaux usées et peuvent filtrer des particules sphériques solides de 51 mm. Ces unités peuvent aussi être utilisées pour les puisards et les opérations générales d'assèchement lorsqu'il est nécessaire de filtrer des particules solides plus larges.

Lors du dosage d'effluent, le pompage de réservoir de fausse sceptique, la pompe doit être installée dans un réservoir ou compartiment séparé sur le côté de rejet des eaux usées de la fausse sceptique. **N'installez jamais la pompe dans un réservoir où il y a accumulation de boue.**

Ces pompes sont offertes dans des modèles à phase simple ou triple, avec joint simple ou double et détecteur de fuite. Toutes les unités à phase triple, à joint double et toutes les installations duplex doivent être utilisées avec un boîtier de commande. Tous les cordons d'alimentation et du détecteur de fuite sont d'une longueur de 610 cm.

Les turbines du modèle ME sont jointes avec deux palettes pour filtrer des particules solides sphériques de 19,5 mm et sont construites en thermoplastique ou en bronze de qualité marine en option. Toutes les pompes sont munies d'une fente de décharge NPT de 51 mm.

Les turbines de modèles MW sont jointes avec deux palettes non-engorgeables conçues pour filtrer des particules solides sphériques de 19,5 mm. Les pompes MW sont offertes avec des turbines en fonte standard ou en bronze de qualité marine en option.

Ces pompes ne SONT PAS conçues pour les piscines ou les fontaines.

BLOCAGE D'AIR

Un blocage d'air se produit dans une pompe de puisard lorsque l'eau empêche l'air de sortir, ce qui empêche la pompe de bien fonctionner.

Lors d'une installation de ce type, un trou de 3 mm devrait être percé dans le tuyau d'évacuation au-dessus du débit de pompe et un clapet antiretour devrait être installé de 30 à 46 cm au-dessus du débit de pompe. N'installez pas le clapet antiretour directement dans l'ouverture du débit de pompe. Suivez le code local.

EMBALLAGE

Chaque pompe est emballée de manière séparée dans un carton identifié par un numéro de catalogue et la notation ingénieur de Myers.

COMMANDES DE NIVEAU

Toutes les pompes doivent utiliser un interrupteur de niveau de commande étanche pour l'utilisation automatique. Les commandes MLC et MFLC sont munies d'interrupteur de 1 CV et de 230 volts. Les commandes ALC et AWS-1 sont munies d'interrupteurs mécaniques étanches de 2 CV à 230 volts. Les pompes simplex à phase simple peuvent être automatisées si on y attache des commandes MFLC ou MF. Ces interrupteurs ont un niveau de tirage fixe de 20 à 25 cm et peuvent être utilisés à une puissance allant jusqu'à 1 CV. Pour plus de puissance, vous pouvez utiliser deux interrupteurs au mercure avec un démarreur magnétique. Les systèmes simplex peuvent aussi fonctionner avec des interrupteurs de contrôle au mercure (lorsque permis par le code) avec le boîtier de commande et un démarreur magnétique. Les commandes ALC et AWS-1 peuvent être utilisées pour les pompes simplex à phase simple avec des puissances allant jusqu'à 2 CV. Tous les systèmes duplex doivent utiliser des interrupteurs de contrôle au mercure avec un boîtier de commande et des démarreurs magnétiques.

Des cordons d'alimentation peuvent être utilisés avec les pompes à phase simple et à joint simple (sans détecteur de fuite). Ce cordon est muni d'une broche de TERRE qui se branche dans le réceptacle au sol. Le réceptacle au sol ne peut pas être utilisé dans le puisard ou bassin humide en raison du RISQUE de fuite de courant. Les boîtes de jonction étanches doivent être utilisées dans des puisards ou bassins humides pour établir des connexions avec le cordon du moteur. La commande AWS-1 sert aussi de boîte de jonction étanche pour connecter le cordon d'alimentation au cordon de la pompe.

POMPES À JOINT DOUBLE

Toutes les pompes ME-D ou MW-D series sont munies de deux joints avec une chambre d'huile entre les joints qui permet que les faces des joints inférieurs et supérieurs soient lubrifiées pour une durée de vie plus longue et une meilleure protection contre les fuites d'eau dans le bobinage du moteur. Ces unités à joint double sont conçues avec un détecteur de fuite.

Le détecteur de fuite dans la chambre d'huile étanche détecte toute fuite d'eau et fait apparaître une lumière rouge sur le panneau de commande. Les pompes devraient être retirées du puisard et les joints devraient être remplacés si la lumière rouge apparaît sur le panneau. Les panneaux de commande doivent être utilisés pour les pompes munies de détecteurs de fuite et les détecteurs doivent être branchés comme illustré dans ces instructions.

CONCEPTION DE SYSTÈMES D'ÉGOUTS À PRESSION

MYERS offre un LOGICIEL informatique complet pour la conception de SYSTÈMES D'ÉGOUTS À PRESSION. Ce logiciel indique les tailles de tuyau à utiliser et donne le débit exact de chaque pompe ou groupe de pompes dans le système lorsqu'elles fonctionnent de manière simultanée. Ce DISQUE de conception pour IBM ou les ordinateurs COMPATIBLES est offert sur demande aux ingénieurs.

INSTALLATION

TYPE DE MOTEUR

Les moteurs ont une armature $\frac{3}{4}$, de 1/2 à 2 CV pour les phases simples ou triples 60 Hertz, 3450 T.P.M. avec une isolation de classe B. Tous les moteurs à phase simple ont un condensateur auxiliaire avec une protection contre la surcharge intégrée et n'ont pas besoin d'interrupteur de démarrage ou de relais de démarrage. Les moteurs de pompe à phase triple doivent être utilisés avec un démarreur magnétique avec une protection contre la surcharge à trois jambes. Tous les moteurs sont munis de roulements à bille inférieurs et supérieurs et sont refroidis et lubrifiés à l'huile.

AVERTISSEMENT **Danger d'émanations toxiques.** Le bassin ou réservoir doit être aéré en conformité avec les codes de plomberie locaux. Ces pompes ne sont pas conçues et ne PEUVENT PAS être installées dans des endroits classés dangereux selon le National Electric Code ANSI/NFPA 70.

- ◆ N'entrez jamais dans la chambre de la pompe après que des eaux usées ou de l'effluent aient pénétré le bassin. Les eaux usées peuvent produire des émanations de méthane, de sulfure d'hydrogène et d'autres gaz qui sont hautement toxiques.

Myers recommande d'installer les pompes à effluent ME series avec un système d'élimination rapide. Ce système d'élimination rapide peut être un union ou un agencement d'élimination rapide si le tuyau de refoulement est à portée de la surface ou un système d'élimination rapide sur rails pour les installations plus en profondeur. Voir les dessins d'installation pour l'installation recommandée.

Le réservoir de dosage et la chambre de pompage doivent être faits de matériaux résistants à la corrosion et doivent pouvoir supporter toutes les charges internes et externes anticipées. Il doit être à l'épreuve des infiltrations et des exfiltrations. Le réservoir doit avoir un dispositif anti-flottabilité. Les trous d'accès ou les couvertures doivent être de taille appropriée et être accessibles de la surface pour permettre l'installation et l'entretien du système. Toutes les couvertures doivent être verrouillables et assez lourdes pour prévenir l'accès de personnel non autorisé. La capacité de rétention de la chambre de pompage doit être sélectionnée pour prévoir des conditions d'urgence.

La conduite d'évacuation doit être de la même taille que le débit de pompes (5 cm) ou plus large. Afin d'assurer une vitesse suffisante des liquides pour prévenir l'accumulation de particules solides résiduelles dans la conduite d'évacuation. Il est recommandé qu'un débit d'au moins 61 cm par seconde soit maintenu. (21 GPM par les conduites de 5 cm et 46 GPM par les conduites de 7,5 cm). Il est recommandé d'utiliser des conduites en PVC ou d'un matériau d'une résistance équivalente à la corrosion.

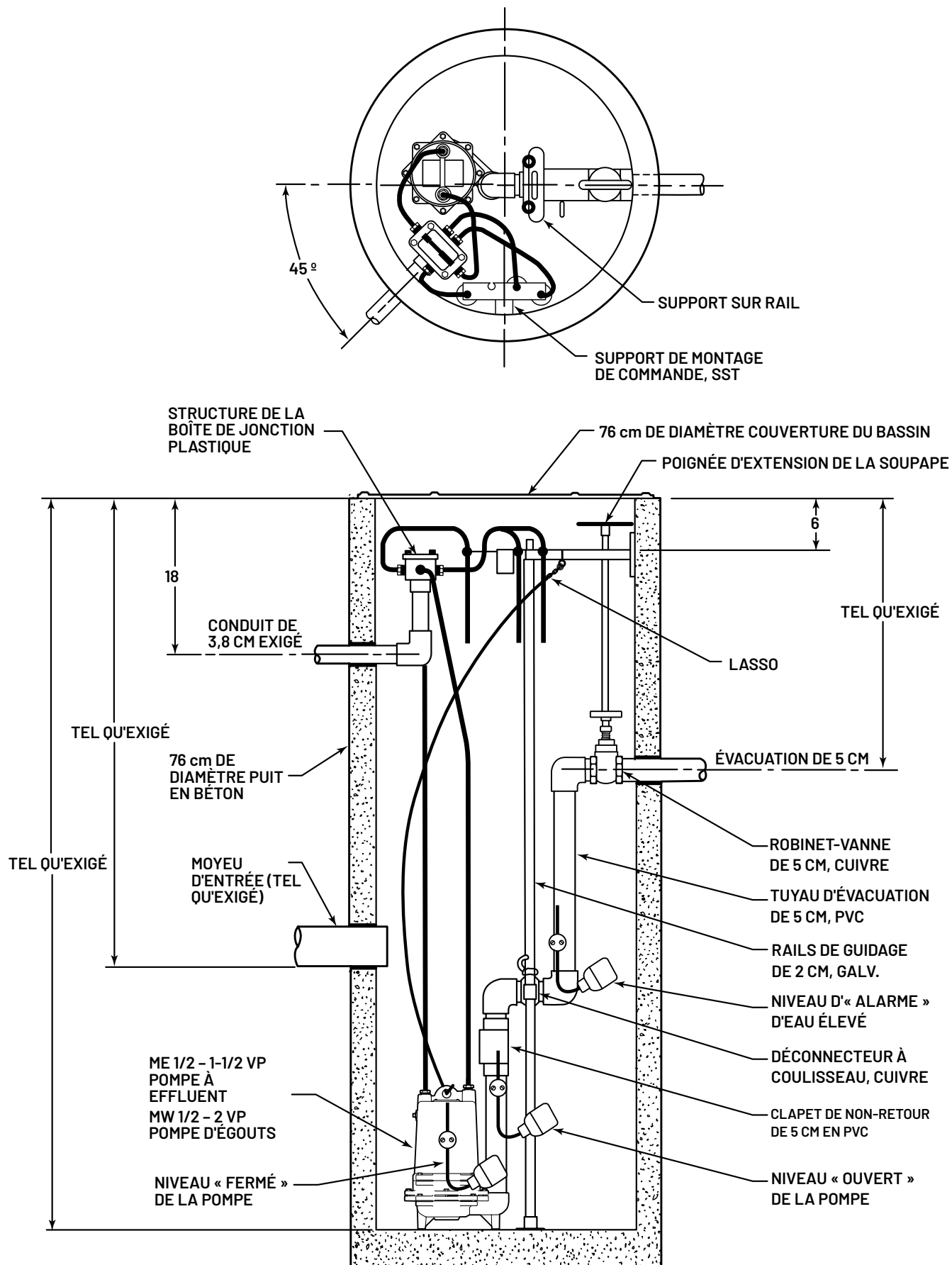
Une soupape de fermeture (à bille ou en robinet) de plein débit doit être installée pour prévenir le flux d'effluent dans la pompe doit être installée si la pompe doit être retirée pour utilisation. Un clapet antiretour doit être installé sur les systèmes d'égouts à pression et les autres systèmes où les conditions permettent de prévenir le reflux et réduire l'usure du système de pompe.

Une alarme de niveau d'eau élevé doit être installée sur un circuit séparé du circuit de pompe. L'alarme doit être testable pour s'assurer qu'elle fonctionne proprement.

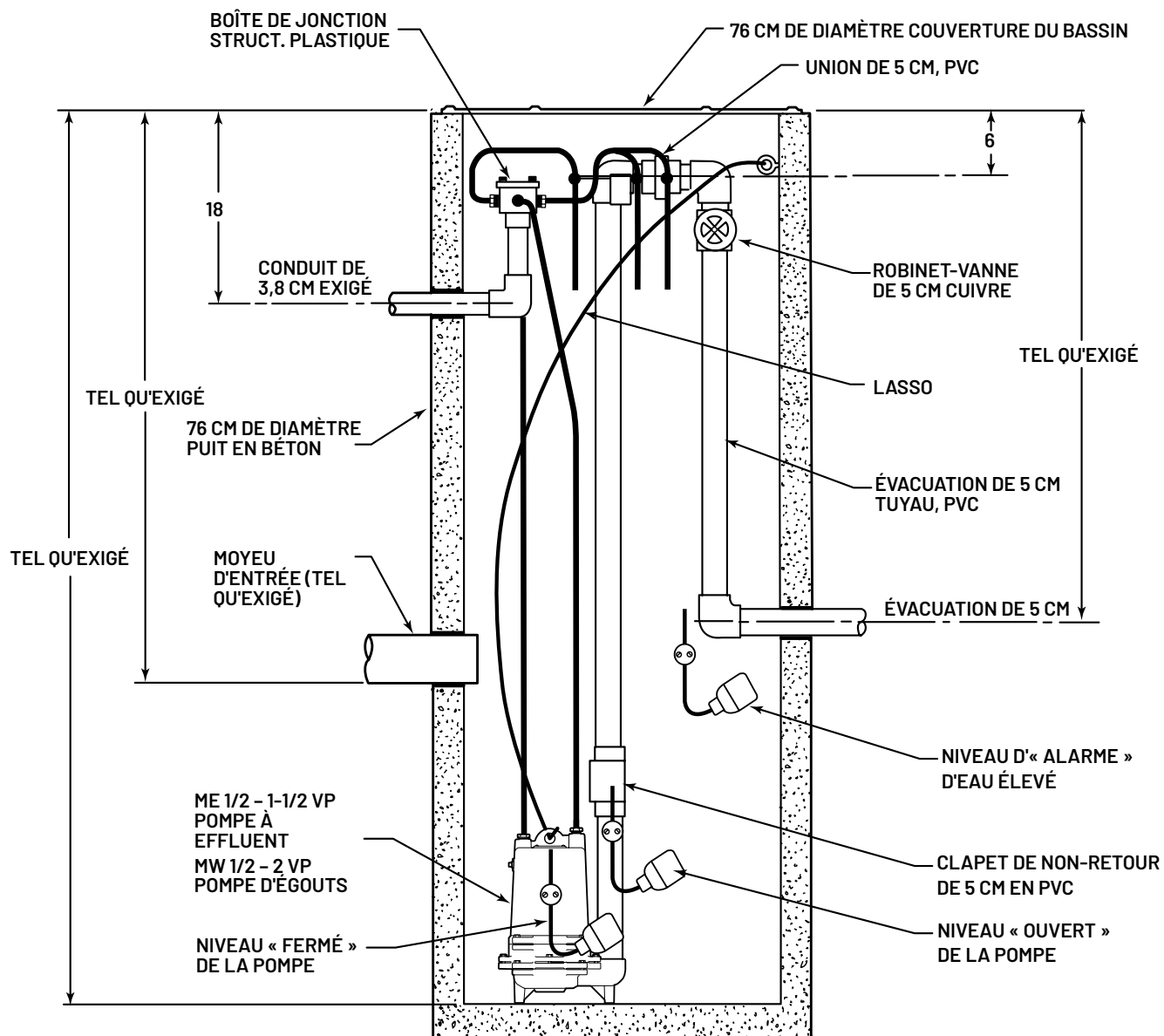
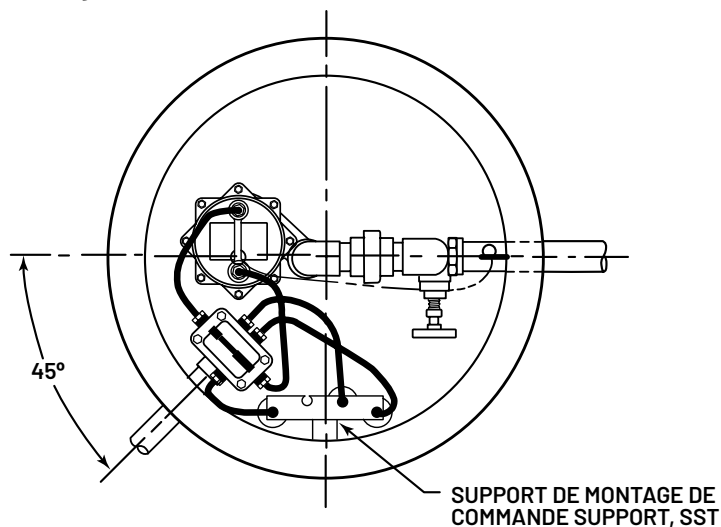
INSTRUCTIONS SPÉCIALES POUR LES POMPES À PHASE TRIPLE

1. Myers recommande que les pompes à phase triple soient installées par un personnel qualifié.
2. **AVERTISSEMENT** **Risque de choc électrique** Ne retirez pas le cordon ou la décharge de traction. Ne pas connecter le conduit à la pompe.
3. Ces pompes à phase triple sont toujours installées avec des boîtiers de commande à démarreurs magnétiques munis d'une protection contre la surcharge à trois jambes. **NE TENTEZ PAS DE FAIRE FONCTIONNER CES POMPES À PHASE TRIPLE DIRECTEMENT SUR LA LIGNE.**
4. **Pour connecter la pompe :** Faites passer un câble de la pompe vers le fond du boîtier de commande ou une boîte de jonction appropriée pour établir une connexion. Un trou doit être percé dans le boîtier de commande pour les câbles. Après avoir coupé le courant de la boîte de commande, connectez la ligne verte (de terre) à la prise de terre. Connectez les câbles noirs (d'alimentation) aux bornes d'alimentation. Note : pour un boîtier de commande de style CE, ces bornes sont identifiées de la manière suivante : M1, M2 et M3. Assurez-vous que tous les câbles soient à l'intérieur du boîtier de commande de manière à ce qu'ils ne soient pas écrasés ou coupés lorsque la porte est fermée.

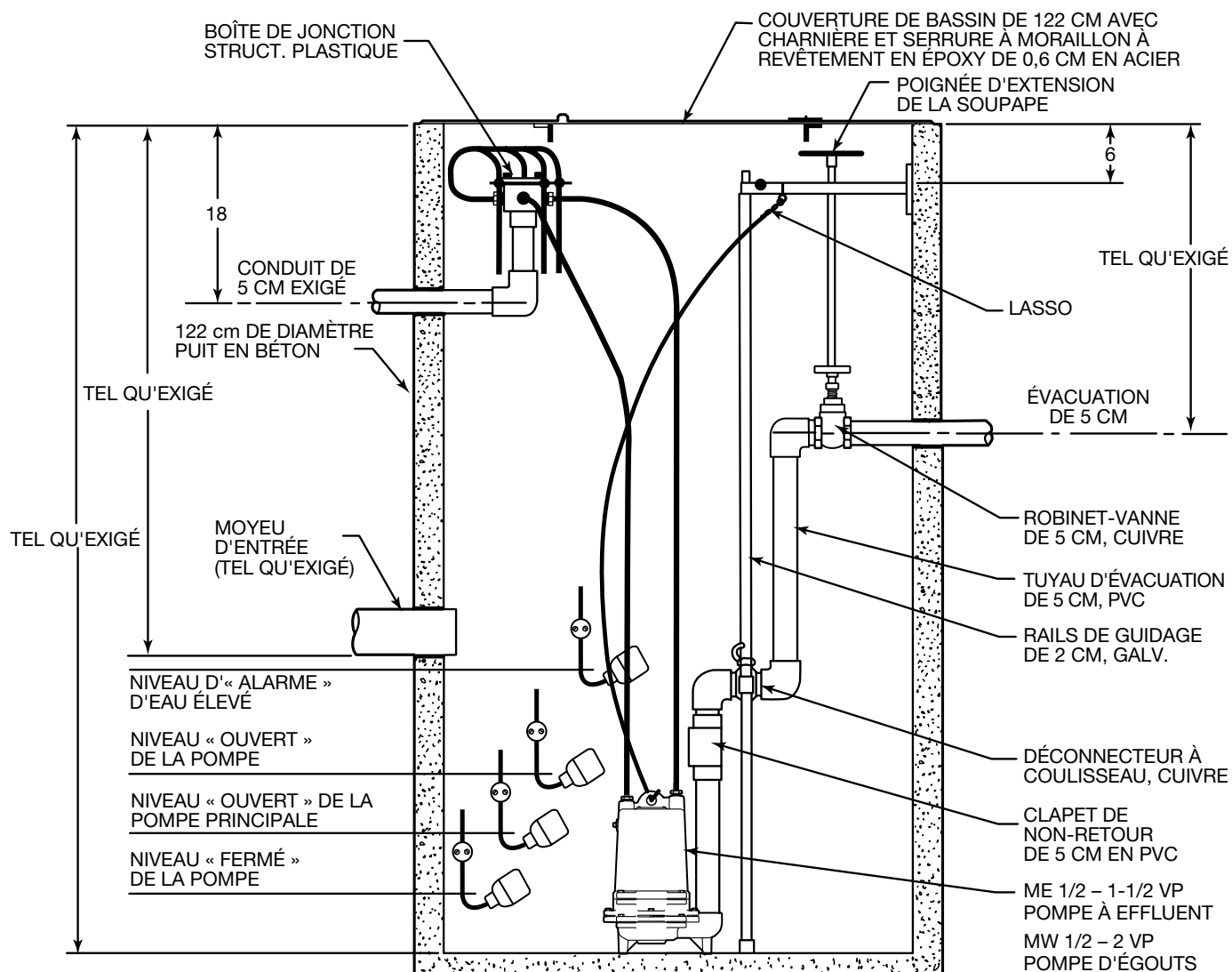
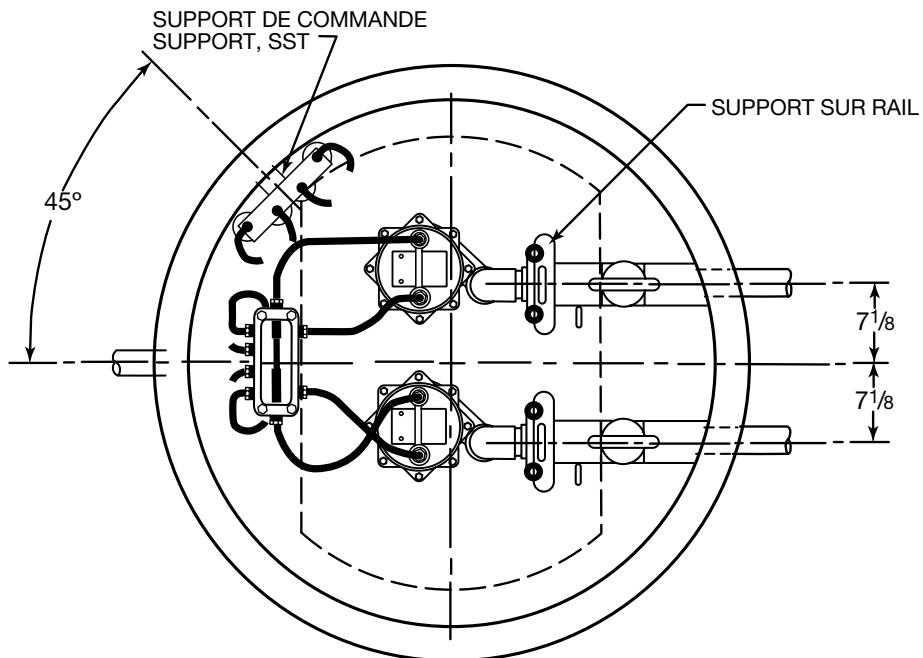
Simplex ME/MW 1/2 - 2 CV de 75 cm de diamètre



Simplex Union System ME/MW 1/2 - 2 CV de 75 cm de diamètre



Duplex ME/MW 1/2 - 2 CV de 122 cm de diamètre



ENTRETIEN

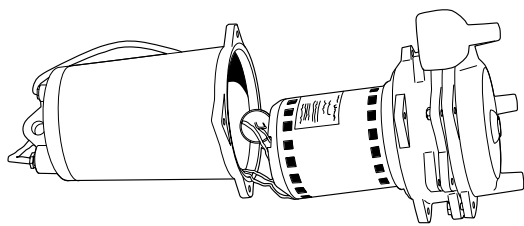
AVANT DE DÉMONTER LA POMPE POUR LE REMPLACEMENT DES PIÈCES

Nettoyez soigneusement la pompe. Éliminez tout le tartre et tous les dépôts. Utilisez une sableuse si possible. Plongez la pompe complète dans une solution désinfectante (faite d'eau de Javel) pendant au moins une heure avant de démonter la pompe.

SEULEMENT POUR LE REMPLACEMENT DES CONDENSATEURS

Tous les moteurs à phase simple sont à condensateur auxiliaire permanent avec une protection contre la surcharge irrégulière intégrée et n'ont pas besoin de commutateur de démarrage ou relais de démarrage. Ils sont munis d'un seul condensateur de démarrage situé dans le circuit pour le démarrage et l'utilisation.

1. Retirez le bouchon de l'évacuation et drainez l'huile hors de la chambre d'étanchéité.
2. Desserrez les écrous autour des cordons jusqu'à ce qu'ils soient assez louses pour pousser les cordons à l'intérieur du boîtier du moteur.
3. Retirez les quatre boulons du boîtier du moteur puis cognez sur le boîtier avec un marteau en plastique pour le desserrer. Étendez la pompe sur le côté.



4. Retirez le boîtier avec précaution afin de vous assurer que le cordon soit suffisamment poussé dans le boîtier pour qu'il n'y ait aucune tension sur les cordons.
5. Faites glisser le boîtier du moteur assez loin pour découvrir le condensateur et être en mesure d'étendre le boîtier.
6. Déconnectez le câblage du condensateur et desserrez sa pince, puis faites glisser le condensateur vers l'extérieur. Remplacez-le par un nouveau condensateur, resserrez, puis reconnectez. Un diagramme de câblage est fourni avec les instructions.
7. Vérifiez tous les connecteurs de câblage pour vous assurer qu'ils soient sécuritaires.
8. Assurez-vous que le joint tetraseal soit bien en place.
9. Faites glisser le boîtier du moteur vers l'intérieur de la pompe tout en tirant lentement les cordons vers l'extérieur. Assemblez le boîtier du moteur avec les quatre boulons.
10. Ré-assemblez les écrous des cordons. Assurez-vous que les joints soient solidement installés et que les cordons soient tirés vers le haut pour qu'ils s'arrêtent contre les joints. Serrez les écrous de manière sécuritaire.
11. Placez la pompe sur la verticale et remplissez le moteur avec une huile paraffinique pour transformateur, Shellflex™ 2210 ou un équivalent. NE PAS REMPLIR AVEC DE L'HUILE. Alors que la pompe est en position verticale, remplissez-la d'huile jusqu'à ce que vous ayez vidé le distributeur d'huile. Remplacez la prise de remplissage d'huile. Shell Oil Company, Texas
12. Assurez-vous que la pompe tourne librement avant de la connecter à une source d'énergie. Tournez la pompe sur le côté, puis faites tourner la turbine à l'aide d'un tournevis dans l'arbre rainuré. Branchez la pompe dans le réceptacle pour tester son fonctionnement. Lorsqu'elle est en marche, la pompe ne doit produire aucun bruit et aucune vibration.

POUR REMPLACER LE CORDON D'ALIMENTATION OU POUR SCELLER UNE FUITE CORDON DÉTECTEUR

Retirez le boîtier du moteur comme c'est indiqué plus haut. Déconnectez les terminaux emboîtés et retirez les vis de terre du cordon d'alimentation si ce dernier doit être remplacé.

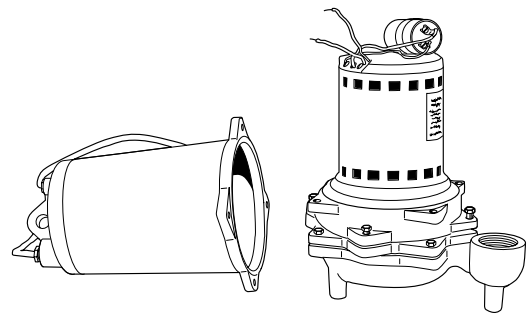
Dévissez complètement la bague du cordon qui doit être remplacé puis retirez l'ensemble de cordons du boîtier. Assurez-vous que les terminaux restants soient placés de manière sécuritaire sur les câbles.

Remplacez avec un cordon approprié et des raccords. Poussez le cordon dans le boîtier du moteur assez loin pour établir les connexions appropriées. Reconnectez le câble de terre si vous remplacez le cordon d'alimentation puis connectez les câbles de manière appropriée et sécuritaire. Consultez le diagramme de câblage dans ces instructions.

Assemblez les cordons et le boîtier de moteur tel que décrit dans **Remplacement du condensateur**. Remplissez-le avec de l'huile comme indiqué et assurez-vous que la pompe tourne librement avant de la connecter à une source d'énergie.

POUR REMPLACER LE STATOR ET L'ENVELOPPE DU MOTEUR

1. Retirez le boîtier du moteur comme c'est indiqué plus haut.
2. Retirez tous les fils de la source d'énergie et scellez les cordons de fuite et le câble de terre, puis placez la pompe à la verticale.
3. Desserrez les quatre longues vis qui maintiennent le moteur en place, puis retirez lentement. Si l'unité est munie de sondes de fuite, assurez-vous de brancher les fils par les fentes lorsque vous retirez le moteur.
4. Retirez le condensateur précédent et la pince de l'ancien moteur et montez-le à un nouveau stator et une nouvelle enveloppe ou remplacez-le par un nouveau condensateur, puis montez les deux fils du condensateur selon ce qui est indiqué dans le diagramme de câblage.
5. Positionnez la rondelle à ressorts de suspension sur le dessus du roulement à billes supérieur.
6. Resserrez les vis de serrage des sondes de fuite puis branchez les câbles en les faisant passer par les fentes du moteur.



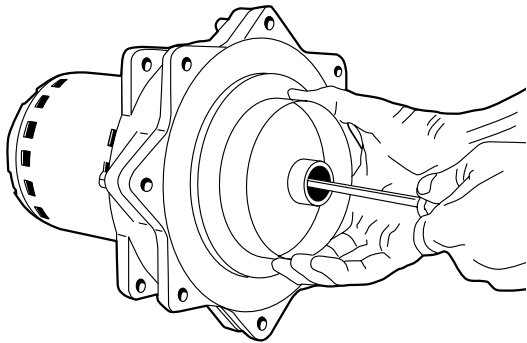
7. Positionnez le « stator et l'enveloppe » puis alignez les vis avec les bosses puis resserrez les (4) longues vis. Étendez les câbles de la sonde vers l'extérieur en les faisant passer par les fentes. Étendez l'unité pour qu'elle soit en lignée avec le boîtier du moteur.
8. Assurez-vous que la pompe tourne librement avec un tournevis dans la turbine au bout de l'arbre.
9. Reconnectez tous les terminaux de manière sécuritaire en suivant le diagramme de câblage.
10. Assurez-vous que le joint tetraseal soit bien en place.
11. Ré-assemblez le boîtier du moteur puis remplissez-le d'huile comme indiqué ci-dessus dans le remplacement du condensateur.

AVERTISSEMENT Sur les moteurs à phase triple, vérifiez toujours que l'unité effectue une rotation adéquate. Lorsque la pompe est sur le côté, mettez-la en marche en la démarrant et en l'éteignant rapidement. La turbine doit tourner dans le sens contraire des aiguilles d'une montre lorsque vous regardez dans l'entrée de la turbine. Si ce n'est pas le cas, échangez n'importe lequel des deux fils dans le boîtier de commande.

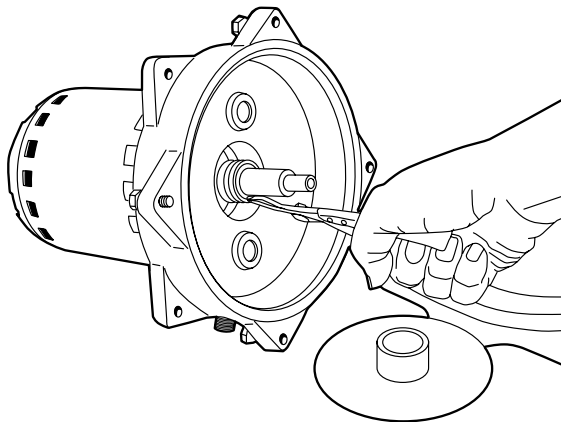
ENTRETIEN

REPLACEMENT DU JOINT D'ARBRE

1. Retirez les prises dans le boîtier du moteur et dans le boîtier de joints (pour les unités à joint double), puis drainez l'huile.
2. Retirez les quatre boulons qui maintiennent l'étui de la veloute, puis cognez dessus avec un marteau en plastique pour le desserrer, puis retirez l'étui.
3. Tenez le turbine puis dévissez les vis de serrage de ce dernier. Faites-le tourner dans le sens contraire des aiguilles d'une montre pour le desserrer.
4. Ouvrez les soufflets d'étanchéité et le siège en céramique. Brisez les sièges si nécessaire pour le faire sortir puisqu'il doit être remplacé par de nouvelles pièces.
5. **NE JAMAIS UTILISER DE VIEILLES PIÈCES DE JOINT - UTILISER DES JOINTS ENTIÈREMENT NEUFS.** (N'utilisez pas de plaque d'étanchéité à ressort sur une pompe à joint simple ou à joint double.)
6. Pour les pompes à joint simple ou si vous ne remplacez que le joint inférieur d'une pompe à joint double, il n'est pas nécessaire de démonter d'avantage. Sur une pompe à joint double, il n'est pas nécessaire de drainer l'huile du boîtier du moteur, seulement celle dans le boîtier du joint.



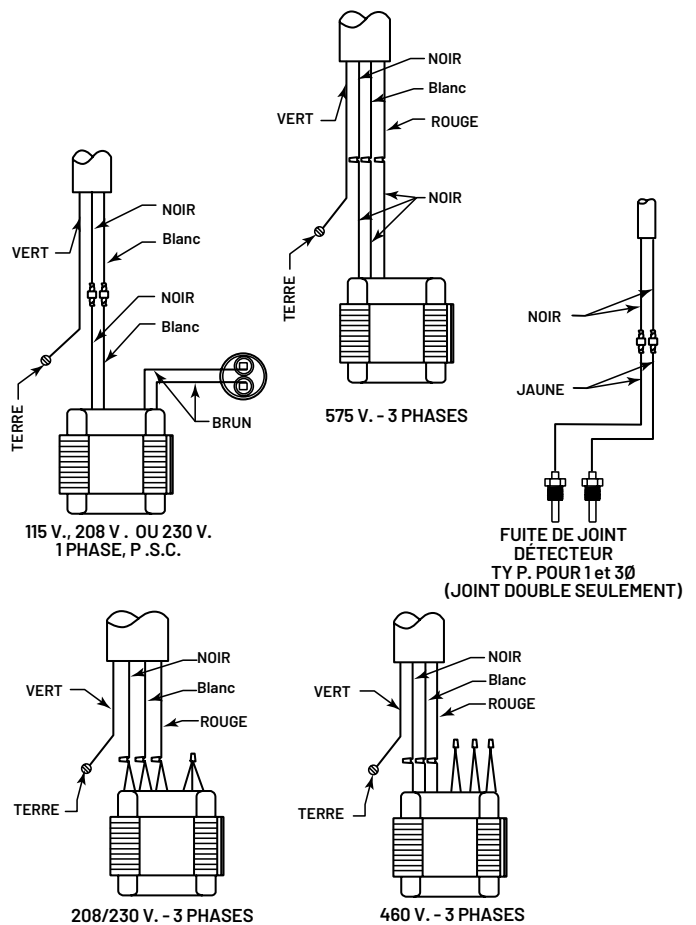
7. Sur une pompe à joint double, ne retirez pas le joint supérieur, retirez les quatre boulons qui maintiennent la plaque puis retirez-la.
8. Retirez l'anneau élastique avec les pinces conçues à cet effet. Ouvrez les soufflets d'étanchéité et le siège en céramique.
9. S'il n'y a pas d'eau qui a pénétré dans le boîtier du moteur (vérifiez le bobinage avec un ohmmètre ou un multimètre) lavez soigneusement les chambres étanches puis remplacez les joints. (N'utilisez une



plaque de retenue d'étanchéité que sur le joint supérieur et jamais sur le joint inférieur.) Nettoyez les faces du joint et utilisez une lumière sur le joint avant d'installer les soufflets du joint.

10. Vérifiez le joint cuvette HUCA dans l'entrée de la volute. S'il est usé, remplacez-le.
11. Assurez-vous que le joint tetraseal soit en place (remplacez-le s'il est usé), puis remontez.
12. Remplacez l'huile dans le boîtier du moteur et dans la chambre étanche. N'utilisez que de l'huile submersible Myers.
13. Assurez-vous que la pompe tourne librement avant de la connecter à une source d'énergie. Après la connexion, vérifiez la rotation appropriée comme indiqué dans la section **Remplacement du stator.**

DIAGRAMME DE CÂBLAGE

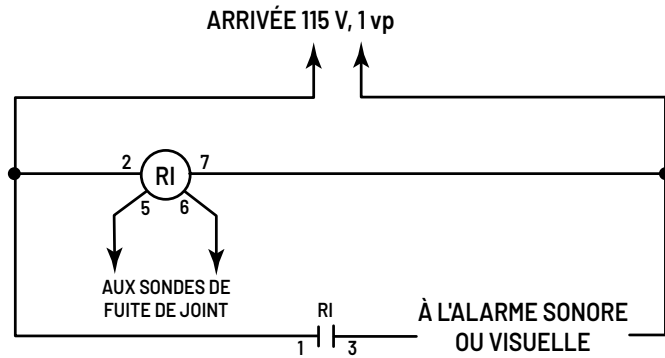


CÂBLAGE À TENSION DOUBLE À PHASE TRIPLE

Tension	Fils			
	Noir	Blanc	Rouge	Ensemble
208 et 230	1 et 7	2 et 8	3 et 9	4 et 5 et 6
460	1	2	3	4 et 7, 5 et 8, 6 et 9

SPÉCIFICATIONS

CIRCUIT DE SONDE DE JOINT DE CAPTEUR D'HUMIDITÉ



Relais : SSAC Inc. #LLC44A5A

Prise : Type de prise standard à 8 broches

Si un panneau Myers est utilisé, voir ci-dessous.

Pompes : ME50D-11,
ME75D-11

Panneau requis :

CMEP(SL)-11S, -11SW, -11D, ou -11DW

Pompes : ME50D-01, ME50D-21,

ME75D-01, ME75D-21,

ME100D-01, ME100D-21,

ME150D-01, ME150D-21,

MWH50D-01, MWH50D-21,

MW100D-01, MW100D-21,

MW150D-01, MW150D-21,

MW200D-01, MW200D-21

Panneau requis :

CMEP(SL)-21S, -21SW, -21D, ou -21DW

Pompes : ME50D-03, ME50D-23,

ME75D-03, ME75D-23,

ME100D-03, ME100D-23,

ME150D-03, ME150D-23,

MWH50D-03, MWH50D-23,

MW100D-03, MW100D-23,

MW150D-03, MW150D-23,

MW200D-03, MW200D-23

Panneau requis :

CMEP(SL)-23S, -23SW, -23D, ou -23DW

Pompes : ME50D-43,

ME75D-43

ME100D-43,

ME150D-43,

MWH50D-43,

MW100D-43,

MW150D-43,

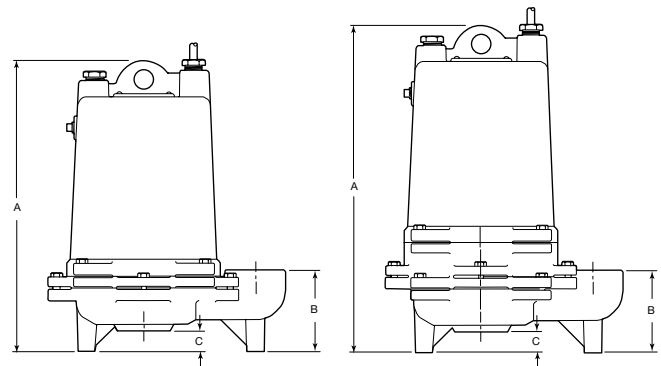
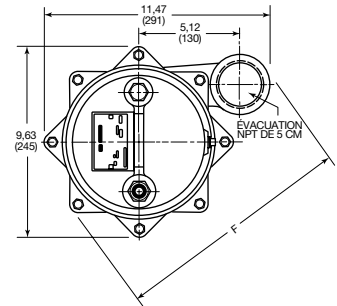
MW200D-43

Panneau requis :

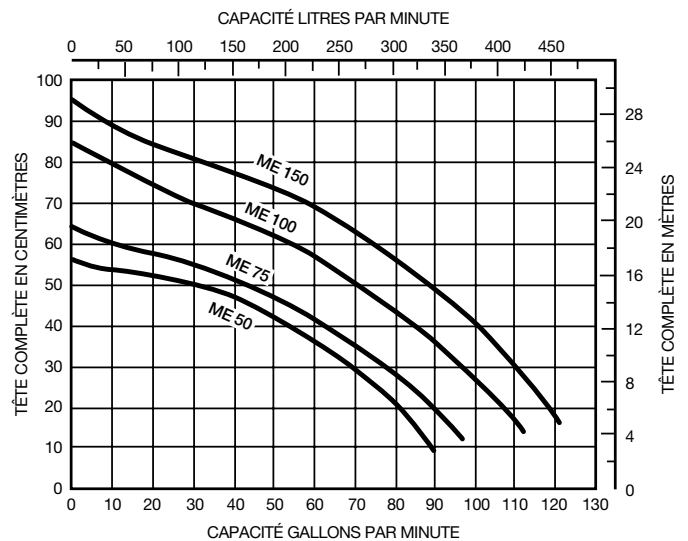
CMEP(SL)-43S, -43SW, -43D, ou -43DW

DIMENSIONS DES ME SERIES

Série de modèle	Millimètres (pouces)			
	A	B	C	F
ME50S	427 (16,8)	104	26	308
ME50D	472 (18,6)	(4,09)	(1,03)	(12,13)
ME75S, ME100S, ME150S	427 (16,8)	(102)	27	318
ME75D, ME100D, ME150D	472 (18,6)	4,0	(1,06)	(12,5)

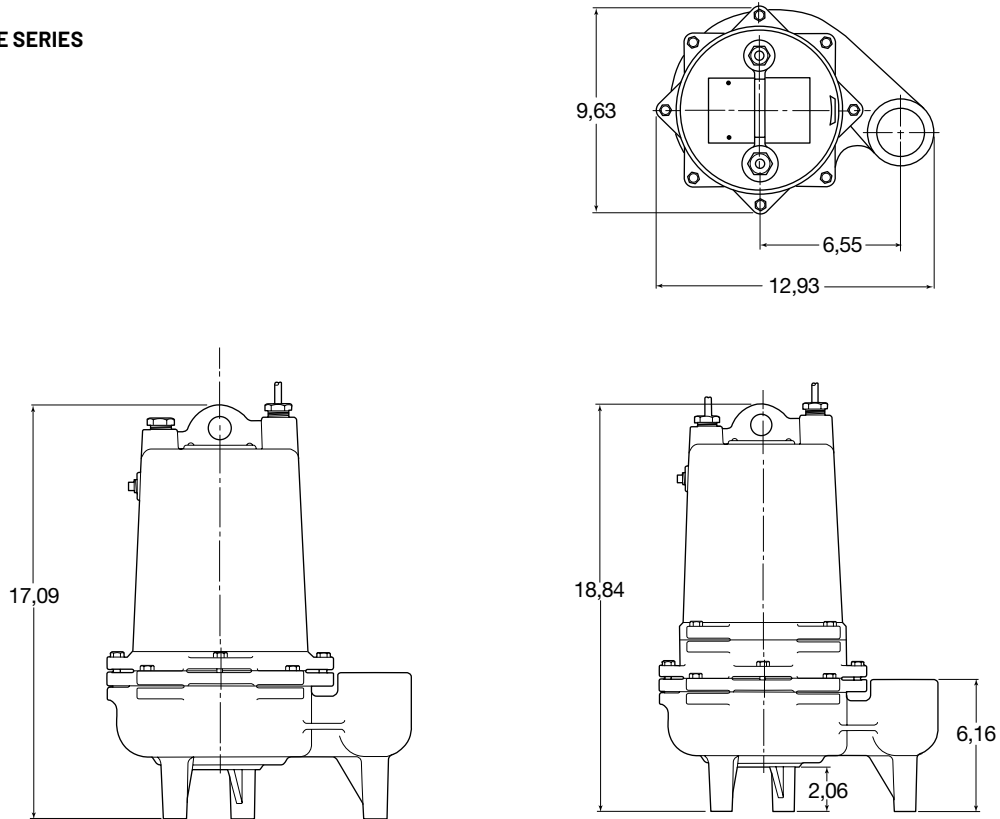


COURBE DE RENDEMENT ME

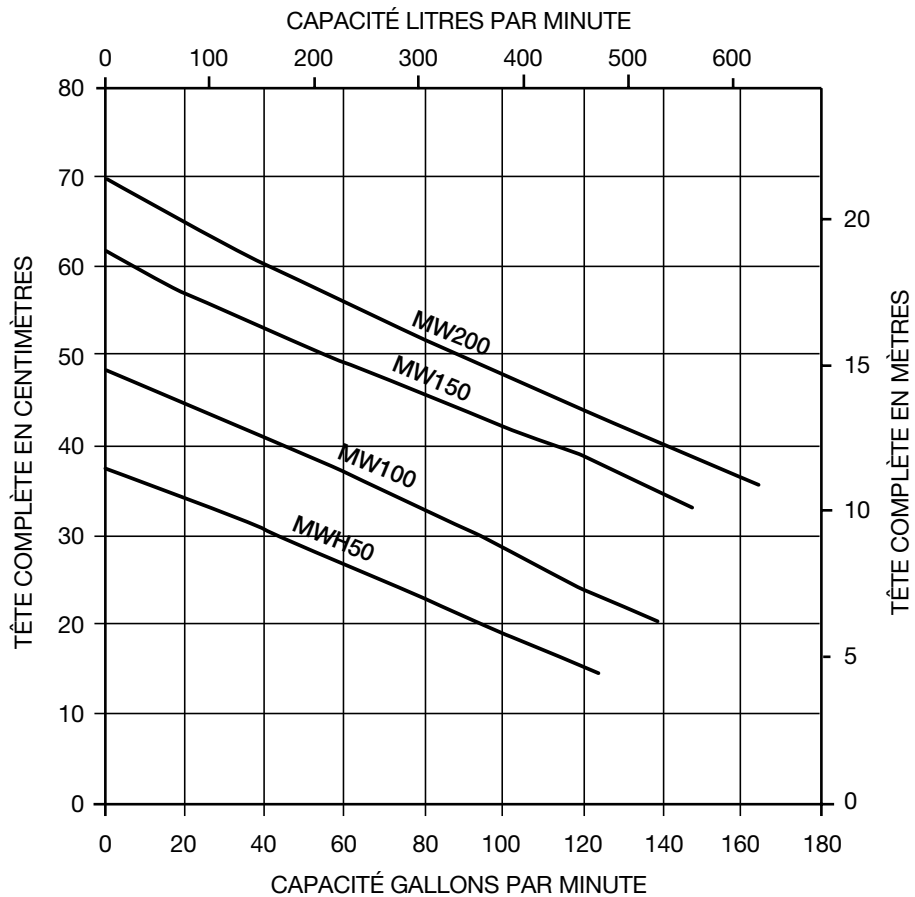


TABLEAUX DE DIMENSIONS

DIMENSIONS DES ME SERIES



COURBE DE RENDEMENT MW



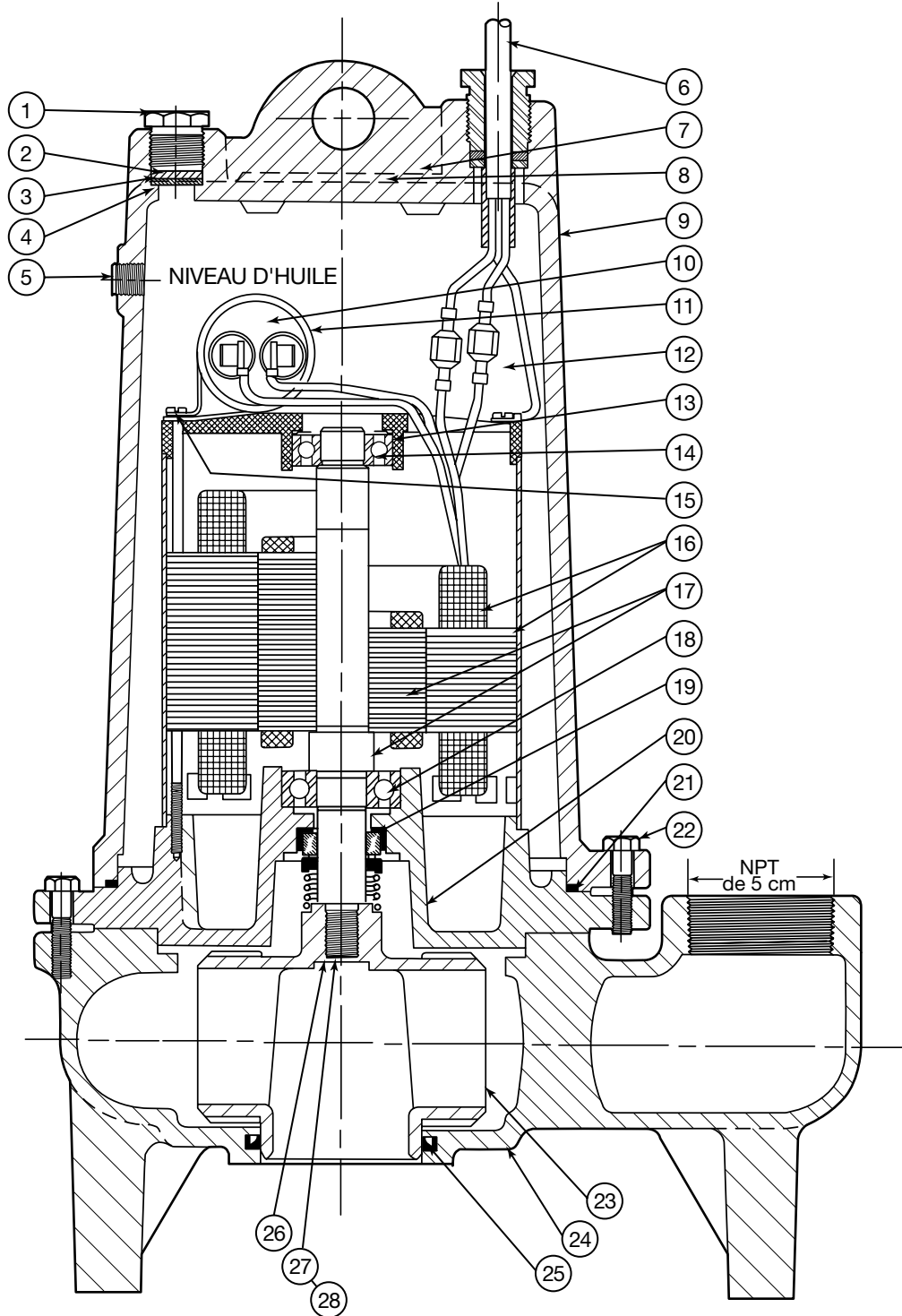
TABLEAUX DE DIMENSIONS

TABLEAU DE DONNÉES MOTEUR

CV	Vitesse	Volts	Phase	Hauteur de cheminée	Résistance du bobinage en ohms			Ampères maximaux	Ampérage du rotor bloqué	
					Principal De noir à blanc	Démarrage - 1Ø	Blanc à rouge			
						Brn. À Brn. Ou mauve				
					Noir à rouge - 3Ø					
ME Series										
1/2	3 450	115	1	1-5/8	,9/8	14,7	-	12,1	29,6	
		208				6,7		16,5		
		230			9,8	19,7		6,0	15,0	
		208/230	3		11,3	11,3	11,3	3,5/3,2	12,8	
		460			45,4	45,4	45,4	1,6	6,4	
		575			71,0	71,0	71,0	1,3	5,1	
3/4	3 450	115	1	2-1/4	,85	4,9	-	13,8	30,4	
		208/230			4,5	12,0		7,6/6,9	16,2	
		208/230	3	2	7,6	7,6	7,6	5,2/4,7	20,2	
		460			30,1	30,1	30,1	2,3	10,1	
		575			47,0	47,0	47,0	1,9	8,1	
1	3 450	208	1	2-3/4			-	10,3	21,0	
		230			3,0/2,6	16/14		9,3	19,0	
		208/230	3	2-1/2	5,3	5,3	5,3	6,6/6,0	29,0	
		460			21,2	21,2	21,2	3,0	14,5	
		575			33,1	33,1	33,1	2,4	11,6	
1-1/2	3 450	208	1	2-3/4			-	14,1		
		230			2,4	12,0		12,8	23,0	
		208/230	3		4,5	4,5	4,5	8,8/8,0	30,0	
		460			16,0	16,0	16,0	4,0	15,0	
		575			25,0	25,0	25,0	3,2	12,0	
MW Series										
1/2	3 450	208	1	2-1/4	4,5	12,0	-	7,6	16,2	
		230			6,9					
		208	3	2	7,6	7,6	7,6	5,2	20,2	
		230			4,7					
		460			30,1	30,1	30,1	2,3		10,1
1	3 450	575	1	2-3/4	47,0	47,0	47,0	1,9	8,1	
		208			2,2	11,5	-	10,3	21,0	
		230	2,8	15,0	9,3	19,0				
		208	3	2-1/2	5,3	5,3	5,3	6,6	29,0	
		230			6,0					
460	21,2	21,2			21,2	3,0	14,5			
1-1/2	3 450	575	1	2-3/4	33,1	33,1	33,1	2,4	11,6	
		208			2,1	9,3	-	14,8	39,9	
		230	1,6		7,4	12,8		33,4		
		208	3		2-3/4	4,5	4,5	4,5	7,7	30,0
		230				7,0				
460	18,0	18,0		18,0		3,5	15,0			
2	3 450	575	1	2-3/4	28,0	28,0	28,0	2,8	12,0	
		208			2,1	9,3	-	15,3	39,9	
		230	1,6		7,4	13,1		33,4		
		208	3		2-3/4	4,5	4,5	4,5	8,5	30,0
		230				4,5	4,5		7,7	
460	18,0	18,0		18,0		3,9	15,0			
575	28,0	28,0	28,0	3,1	12,0					

SPÉCIFICATIONS POUR LES POMPES À JOINT SIMPLE

DESSIN TYPE DE SECTION POUR LES POMPES À JOINT SIMPLE ME/MW50-200



SPÉCIFICATIONS POUR LES POMPES À JOINT SIMPLE

LISTE DE PIÈCES DE RECHANGE À JOINT SIMPLE

Réf.	Description	Qté.	Numéros de pièce
1	Écrou, prise de cordon, solide	1	25341A002
2	Rondelle, 25,5/813 mm d'épaisseur	1	05030A234
3	Joint de couvercle, caoutchouc	1	05014A193
4	Rondelle, 76/813 mm d'épaisseur	1	05030A235
5	Prise, tuyau de 8 mm	1	05022A009
6	Cordon, alimentation	1	Voir le tableau
7	Vis, transmission	2	05160A004
8	Plaque signalétique	1	ND
9	Boîtier, moteur	1	25327D000
10	Condensateur (1P h seulement)	1	Voir le tableau
11	Pince, condensateur (1P h seulement)	1	Voir le tableau
12	Huile, transformateur	3 à 4 litres	11009A006
12A	Connecteurs (3 Ph seulement)	3-6	15781A001
13	Rondelle, port	1	19331A005
14	Port, bille, supérieur	1	08565A013
15	Vis, st, #10 x 3/8	2	09822A032

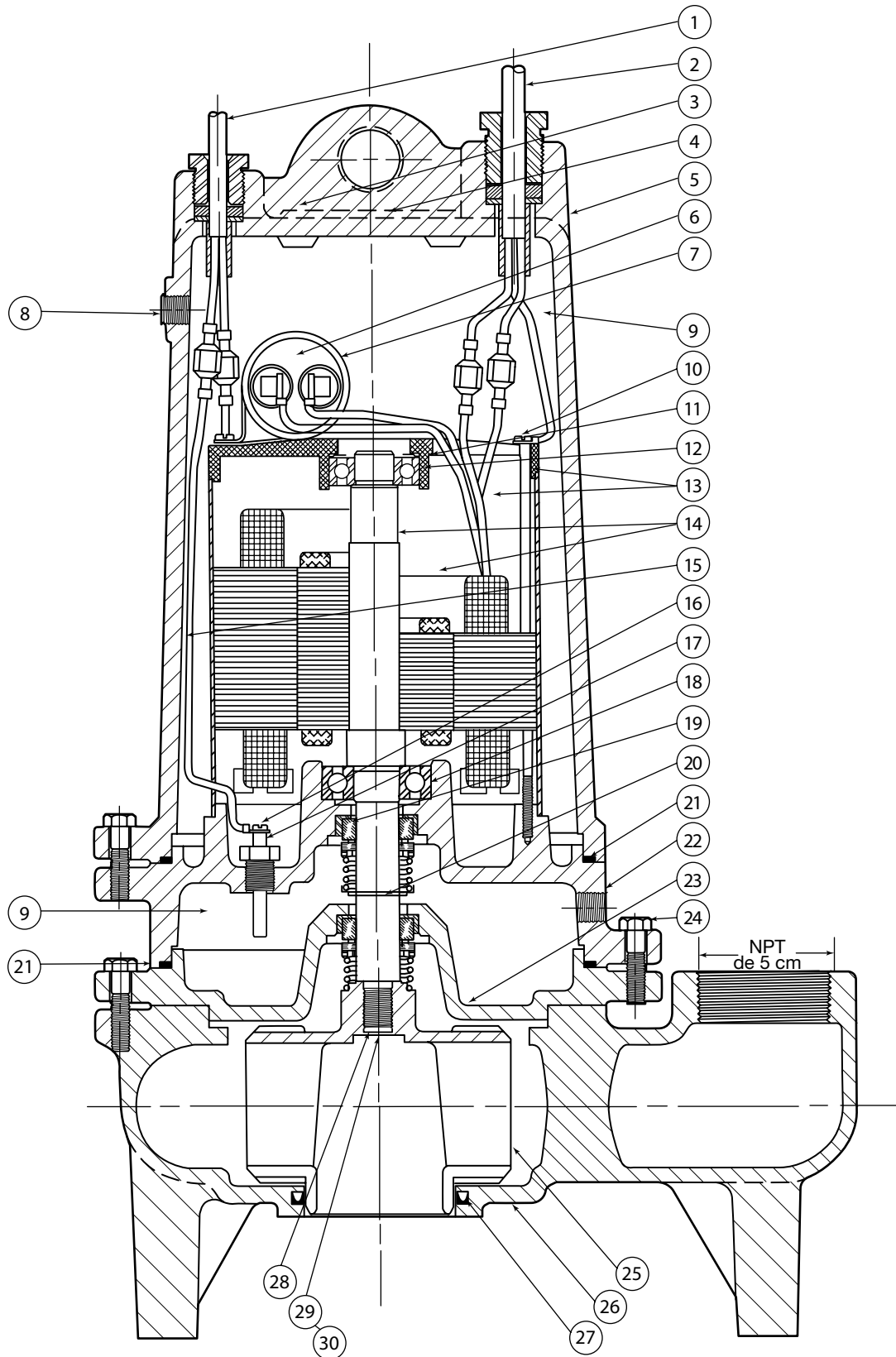
Réf.	Description	Qté.	Numéro de pièce
16 et 17	Stator, rotor, arbre avec enveloppe	1	Voir le tableau
18	Port, bille, inférieur	1	08565A022
19	Joint, arbre	1	25370A000
20	Plaque, port et joint	1	25367D000
21	Joint, tetraseal, 7x6-3/4x1/8	1	05014A181
22	Vis, bouchon, cap, 5/16 x 1-1/4	8	19100A012
23	Turbine	1	Voir le tableau
24	Boîtier, volute (ME50)	1	25357D000
	Boîtier, volute (ME75)	1	25331D000
	Boîtier, volute (MWH5-200)	1	26057D000
25	Cuvette, U, HUVA (ME50-150)	1	22835A005
	Cuvette, U, HUVA (MWH50-200)	1	22835A009
26	Rondelle, turbine, retenue	1	05030A242
27	Vis, machine #10 x 3/8	1	06106A042
28	Scellant	1	14550A001

Unité fabriquée avant août 2007, contactez l'usine pour des pièces de rechange.

Numéro d'article			6		10	11	16 et 17	23			
CV	Volts	PH	Cordon d'alimentation avec prise	Cordon d'alimentation sans prise	Condensateur	Pince du condensateur	Ensemble du stator, rotor et arbre	ME Turbine en plastique	ME Turbine en bronze de qualité marine en option	MW Turbine DI	Turbine MWH en bronze de qualité marine en option
1/2	115	1	25338B004	25338B006	23839A000	20333A006	25484D100	25333B025	25348B121	26029B013	26029B113
	208						25484D101				
	230		25338B005				25484D102				
	208	3					25484D103				
	230										
	460										
575											
3/4	115	1	25338B000	25338B002	23839A000	20333A006	25484D100	25348B020	25348B120		
	208						25484D101				
	230		25338B001				25484D102				
	208	3					25484D103				
	230						25484D103				
	460						25484D103				
575			25484D103								
1	208	1		25338A002	23838A000	20333A004	25484D104	25348B010	25348B110	26029B012	26029B112
	230		25338B001				25484D105				
	208						25484D106				
	230	3					25484D107				
	460						25484D107				
	575						25484D107				
1-1/2	208	1		25338B002	23838A000	20333A004	25484D104	25348B000	25348B100	26029B011	26029B111
	230		25338B001				25484D105				
	208						25484D106				
	230	3					25484D106				
	460						25484D106				
	575						25484D106				
2	208	1		25338B009	23839A000	20333A006	25484D108			26029B000	26029B100
	230				26520A000		25484D109				
	208						25484D110				
	230	3			25484D111						
	460				25484D111						
	575				25484D112						

SPÉCIFICATIONS POUR LES POMPES À JOINT DOUBLE

DESSIN TYPE DE SECTION POUR LES POMPES À JOINT DOUBLE ME/MW50-200



SPÉCIFICATIONS POUR LES POMPES À JOINT DOUBLE

LISTE DE PIÈCES DE RECHANGE À JOINT DOUBLE

Réf.	Description	Qté.	Numéro de pièce
1	Cordon, capteur	1	25339B000
2	Cordon, alimentation	1	Voir le tableau
3	Vis, transmission	2	05160A004
4	Plaque signalétique	1	ND
5	Boîtier, moteur	1	25327D000
6	Condensateur (1P h seulement)	1	Voir le tableau
7	Pince, condensateur (1P h seulement)	1	Voir le tableau
8	Prise, tuyau de 8 mm	1	05022A009
9	Huile, transformateur	4,3 litres	11009A006
9A	Connecteurs (3 Ph seulement)	3-6	15781A001
10	Vis, st, #10 x 3/8	2	09822A032
11	Rondelle, port	1	19331A005
12	Port, bille, supérieur	1	08565A013
13 et 14	Stator, rotor, arbre avec enveloppe	1	Voir le tableau
15	Câble, électrode	2	21792A004
16	Vis, #6 x 1/4	2	05434A025
17	Sonde de joint	2	25343A000

Réf.	Description	Qté.	Numéro de pièce
18	Port, bille, inférieur	1	08565A022
19	Joint, arbre	1	25370A000
20	Anneau, retenue	2	12558A021
	Anneau, retenue	1	12558A033
21	Joint, tetraseal, 7x6-3/4x1/8	2	05014A181
22	Joint du boîtier	1	25369D000
23	Plaque, fond	1	25368D000
24	Vis, bouchon, cap, 5/16 x 1-1/4	12	19100A012
25	Turbine	1	Voir le tableau
26	Boîtier, volute (ME50)	1	25357D000
	Boîtier, volute (ME75-150)	1	25331D000
	Boîtier, volute (MWH50-200)	1	26057D000
27	Cuvette, U, HUVA (ME50-150)	1	22835A005
	Cuvette, U, HUVA (MWH50-200)	1	22835A009
28	Rondelle, turbine, retenue	1	05030A242
29	Vis, machine #10 x 3/8	1	06106A042
30	Scellant	1	14550A001

Unité fabriquée avant août 2007, contactez l'usine pour des pièces de rechange.

Numéro d'article		2		6	7	13 et 14	25				
CV	Volts	PH	Cordon d'alimentation avec prise	Cordon d'alimentation Sans prise	Condensateur	Pince du condensateur	Ensemble du stator, rotor et arbre	ME Turbine en plastique	ME Turbine en bronze de qualité marine en option	MW DI de turbine	Turbine MWH en bronze de qualité marine en option
1/2	208	1	25338B005	25338B006	23839A000	20333A006	25484D201	25333B025	25348B121	26029B013	26029B113
	230										
	208	3	25338B003	25484D202							
	230										
460											
575	25484D203										
3/4	208	1	25338B001	25338B002	23839A000	20333A006	25484D201	25348B020	25348B120		
	230										
	208	3	25338B003	25484D202							
	230										
	460										
575	25484D203										
1	208	1	25338B001	25338B002	23838A000	20333A004	25484D205	25348B010	25348B110	26029B012	26029B112
	230										
	208	3	25338B003	25484D206							
	230										
	460										
575	25484D207										
1-1/2	208	1	25338B001	25338B002	23838A000	20333A004	25484D205	25348B000	25348B100	26029B011	26029B111
	230										
	208	3	25338B003	25484D206							
	230										
	460										
575	25484D207										
2	208	1	25338B001	25338B002	26520A002		25484D209			26029B000	26029B100
	230										
	208	3	25338B003	25484D211							
	230										
	460										
575	25484D212										

GARANTIE LIMITÉE STANDARD

Pentair Myers® garantit que ses produits ne présentent aucun défaut matériel ou de main d'œuvre pour une période de 12 mois à partir de la date de livraison des bureaux de Pentair Myers ou de 18 mois après la date de fabrication, selon ce qui s'est produit en premier, à condition que ces produits soient utilisés en conformité avec les exigences présentées dans le catalogue et les manuels techniques de Pentair Myers pour le pompage d'eaux usées, des eaux usées municipales ou des opérations similaires de liquides non-abrasifs et non corrosifs.

Durant le période de garantie et sous réserve des conditions énoncées, Pentair Myers, à sa discrétion, réparera ou remplacera pour l'utilisateur original les pièces jugées défectueuses au niveau matériel ou de la main d'œuvre. Pentair Myers se réserve le droit de changer ou d'améliorer ses productions ou toutes portions de ces dernier sans être obligé d'appliquer ces changements ou améliorations aux unités précédemment vendues ou livrées.

Des rapports de démarrage ou des schémas électriques pourraient être exigés pour soutenir les demandes de garantie. Soumettre au moment du démarrage par le site Web de Pentair Myers : <http://forms.pentairliterature.com/startupform/startupform.asp?type=m>. La garantie ne s'applique que si les panneaux de commande de Pentair Myers sont utilisés. Tous les joints et les capteurs thermiques doivent être installés, fonctionnels et surveillés, sans quoi la garantie ne s'applique pas. Pentair Myers ne couvrira que le joint inférieur et le travail impliqué pour toutes les pompes à joint double. Pentair Myers n'est responsable en aucun cas des coûts de main d'œuvre, des dépenses de déplacement, de l'équipement loué, de l'élimination et de la ré-installation ou des dépenses de transport à partir de et vers l'usine ou d'une autre installation de service de Pentair Myers.

Cette garantie limitée ne s'applique pas : (a) aux défauts ou mauvais fonctionnement liés à une installation ou un entretien inappropriés de l'unité selon ce qui est indiqué dans les instructions fournies; (b) aux défauts causés par un abus, un accident ou de la négligence; (c) aux services d'entretien et des pièces utilisées en connexion avec de tels services; (d) aux unités qui ne sont pas installées en conformité avec les codes locaux applicables, les consignes ou aux bonnes pratiques; (e) si l'unité est déplacée de son emplacement d'installation original; (f) si l'unité est utilisée pour des fonctions autres que celles pour lesquelles elle a été conçue et fabriquée; (g) à toute unité qui a été réparée ou modifiée par une personne autre que Pentair Myers ou un fournisseur de service autorisé par Pentair Myers; (h) à toute unité qui a été réparée par des pièces non autorisées.

Exclusions de garantie : PENTAIR MYERS NE SE PORTE AUCUNEMENT GARANT, DE MANIÈRE IMPLICITE OU EXPRESSE, DE CE QUI SORT DU CADRE DE CE QUI EST MENTIONNÉ PLUS HAUT. PENTAIR MYERS DÉSAVOUE EN PARTICULIER LES GARANTIES EXPLICITES DE POSSIBILITÉ DE COMMERCIALISATION POUR TOUT USAGE PARTICULIER.

Limitation de responsabilité: PENTAIR MYERS N'EST RESPONSABLE EN AUCUN CAS DES DOMMAGES INDIRECTS, ACCIDENTELS OU SPÉCIAUX RÉSULTANT DE OU LIÉS D'AUCUNE MANIÈRE QUE CE SOIT À TOUT PRODUIT OU PIÈCE DE PENTAIR MYERS MENTIONNÉ PLUS HAUT. DES BLESSURES PERSONNELLES OU DES DOMMAGES MATÉRIELS POURRAIENT ÊTRE CAUSÉS PAR UNE INSTALLATION INADÉQUATE. PENTAIR MYERS NIE TOUTE RESPONSABILITÉ, INCLUANT LA RESPONSABILITÉ DANS LE CADRE DE CETTE GARANTIE, DANS LE CAS D'UNE INSTALLATION INADÉQUATE. PENTAIR MYERS RECOMMANDE QUE L'INSTALLATION SOIT FAITE PAR DES PROFESSIONNELS.

Certains États n'autorisent pas certaines ou l'ensemble des limitations de garantie ou l'exclusion ou la limitation de dommages accidentels ou indirects, dans quel cas ces limitations pourraient ne pas s'appliquer. Aucune garantie ou représentation à aucun moment faite par aucun représentant de Pentair Myers ne pourrait élargir la provision ci-dessus.

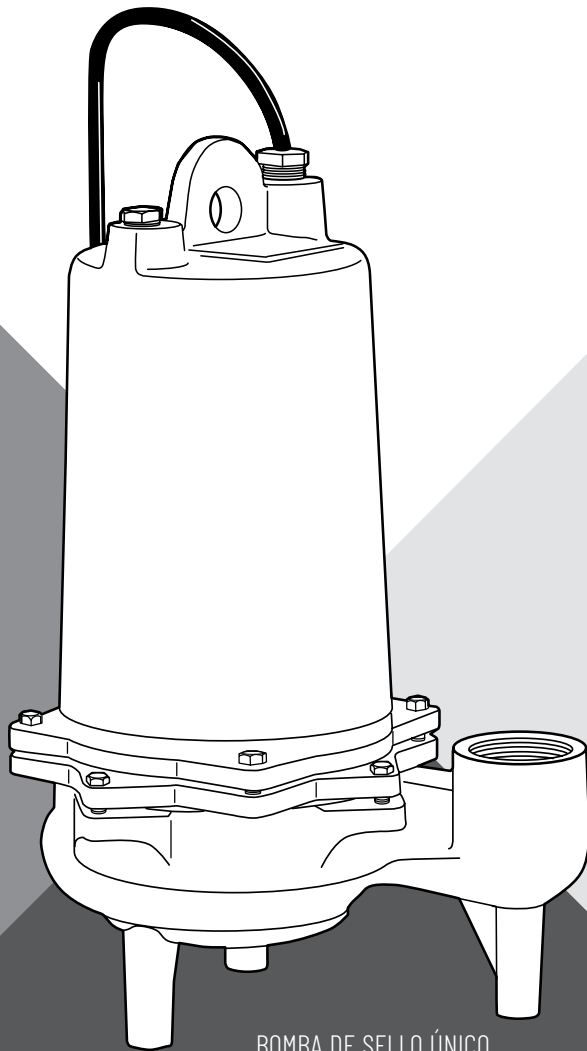
NOTES



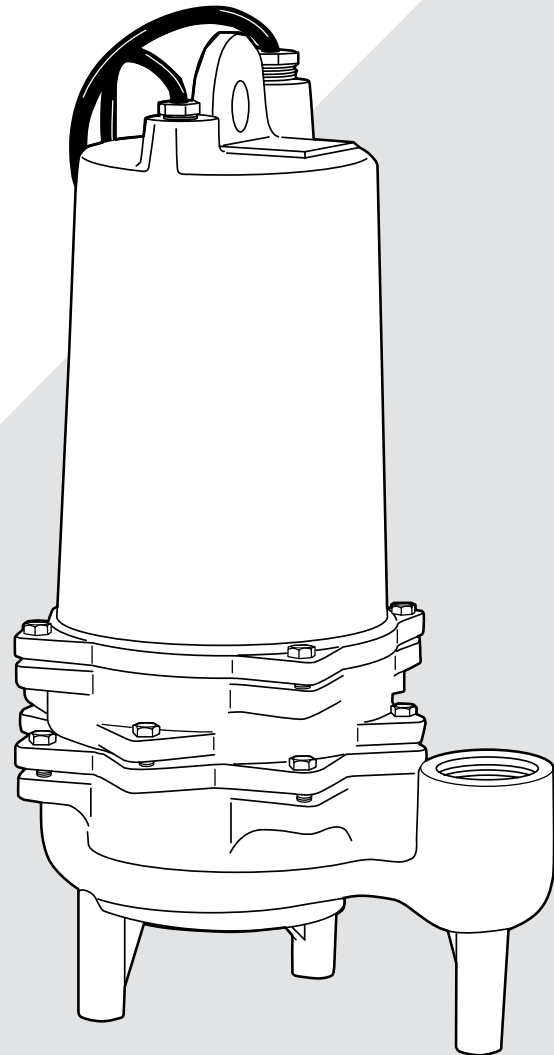
LAS BOMBAS DE SUMIDERO, EFLUENTE Y AGUAS RESIDUALES SUMERGIBLES

SERIE MWH50 ♦ MW200

SERIE ME50 ♦ ME150



BOMBA DE SELLO ÚNICO



BOMBA DE SELLO DOBLE


MANUAL DE INSTALACIÓN Y FUNCIONAMIENTO


pentair.com


INSTRUCCIONES DE SEGURIDAD


INSTRUCCIONES IMPORTANTES DE SEGURIDAD

GUARDE ESTAS INSTRUCCIONES: en este manual, se incluyen instrucciones importantes que se deben seguir durante la instalación, el funcionamiento y el mantenimiento del producto. Guarde este manual para futura referencia.

 Este es el símbolo de alerta de seguridad. Cuando vea este símbolo en su bomba o en este manual, busque una de las siguientes palabras de advertencia y esté atento a la posibilidad de sufrir lesiones personales.


 **PELIGRO** indica un peligro que, si no se evita, *provocará* la muerte o lesiones graves.

 **ADVERTENCIA** indica un peligro que, si no se evita, *podría* provocar la muerte o lesiones graves.

 **PRECAUCIÓN** indica un peligro que, si no se evita, *podría* provocar lesiones leves o moderadas.

AVISO incluye las prácticas no relacionadas con las lesiones personales.

ADVERTENCIA SOBRE LA PROPOSICIÓN 65 DE CALIFORNIA

 **ADVERTENCIA** Este producto, su embalaje y sus componentes contienen sustancias químicas que según el Estado de California provocan cáncer, defectos de nacimiento o afectan a la fecundidad.

RIESGOS ELÉCTRICOS

Las bombas con un sello único se proporcionan con un conductor de conexión a tierra y un enchufe de accesorio de tipo de conexión a tierra en el cable de alimentación. Para reducir el riesgo de descarga eléctrica:

- ◆ Asegúrese de que esté conectado solo a un receptáculo de tipo de conexión a tierra correctamente conectado a tierra.
- ◆ NO corte la patilla de conexión a tierra ni use un conector adaptador.
- ◆ NO use un cable de extensión con esta bomba.
- ◆ El enchufe entero se puede cortar si se usa un panel de control.
- ◆ Cuando cablee esta bomba, siga todos los códigos eléctricos y de seguridad y ordenanzas locales, además del Código Eléctrico Nacional (NEC-ANSI/NFPA 70) más reciente.

Todas las bombas tienen un CABLE DE CONEXIÓN A TIERRA que está conectado a un tornillo en la carcasa del motor. Este cable

va al receptáculo o a la caja de control que debe estar conectada a una buena TIERRA exterior, como una tubería de agua metálica o una ESTACA PARA SUELO enterrada al menos 8 pies en el suelo.

DESCRIPCIÓN

CUANDO LA PROTECCIÓN CONTRA SOBRECARGA DE CORRIENTE ES PROPORCIONADA POR EL INSTALADOR:

USAR CON CONTROL DE MOTOR APROBADO QUE COINCIDA CON LA ENTRADA DEL MOTOR EN AMPERES DE CARGA COMPLETA CON ELEMENTOS DE SOBRECARGA SELECCIONADOS O AJUSTADOS EN CONCORDANCIA CON LAS INSTRUCCIONES DE CONTROL.

CUANDO EL MOTOR CUENTA CON UNA PROTECCIÓN CONTRA SOBRECARGA INCORPORADA:

USAR CON CONTROL DE MOTOR APROBADO QUE COINCIDA CON LA ENTRADA DEL MOTOR EN AMPERES DE CARGA COMPLETA.

INSTALACIÓN

DESCRIPCIÓN

Las bombas de la serie Myers ME y MW están disponibles en un diseño de sello único y también de sello doble con detector de fugas. Los modelos ME50-ME150 están diseñados para dosis de efluente, Bombeo de efluente de tanque séptico (S.T.E.P.) o aplicaciones de sumidero y eliminación de aguas general donde se requiera una mayor presión. Estas unidades están diseñadas para manejar sólidos esféricos de 3/4". Los modelos MWH50-MW200 están diseñados para aplicaciones de aguas residuales y puede pasar sólidos esféricos de 2". Estas unidades también se pueden usar para sumideros y aplicaciones de eliminación de agua generales donde también se requieran capacidades para sólidos más grandes.

Cuando se use en aplicaciones de dosificación de efluente o S.T.E.P., la bomba se debe instalar en un tanque o compartimiento por separado en el lado de descarga del tanque séptico. **Nunca instale una bomba en un tanque que recolecte fango.**

Estas bombas están disponibles en fase única y trifásica, y en sello único o doble sello con detector de fugas de sello. Las tres unidades de fase, todas las unidades de sello doble y todas las instalaciones dúplex se debe usar con una caja de control. Todos los cables de alimentación y los cables del detector de fugas son de 20 pies de longitud.

Los impulsores de modelo ME incluyen dos palas para manejar sólidos esféricos de 3/4" y están disponibles fabricados en plástico térmico diseñado o en bronce naval opcional. Todas las bombas tienen una toma de descarga NTP de 2".

Los impulsores de modelo MW incluyen dos palas de estilo a prueba de obstrucciones, diseñados para manejar sólidos esféricos de 2". Las bombas MW están disponibles en hierro fundido estándar o impulsores de bronce naval opcional.

Estas bombas NO son para su uso en piscinas o fuentes.

BLOQUEO POR AIRE

Una bomba de sumidero está bloqueada por aire si el agua atrapa aire en la bomba y este no puede salir, lo que impide que la bomba funcione.

Al instalar este tipo, se debe taladrar un orificio de 1/8" en la tubería de descarga justo sobre la bomba de descarga y una válvula de retención se debe instalar 12 o 18 pulgadas sobre la descarga de la bomba. No coloque la válvula de retención directamente en la apertura de descarga de la bomba, siga el código local.

EMPAQUETADO

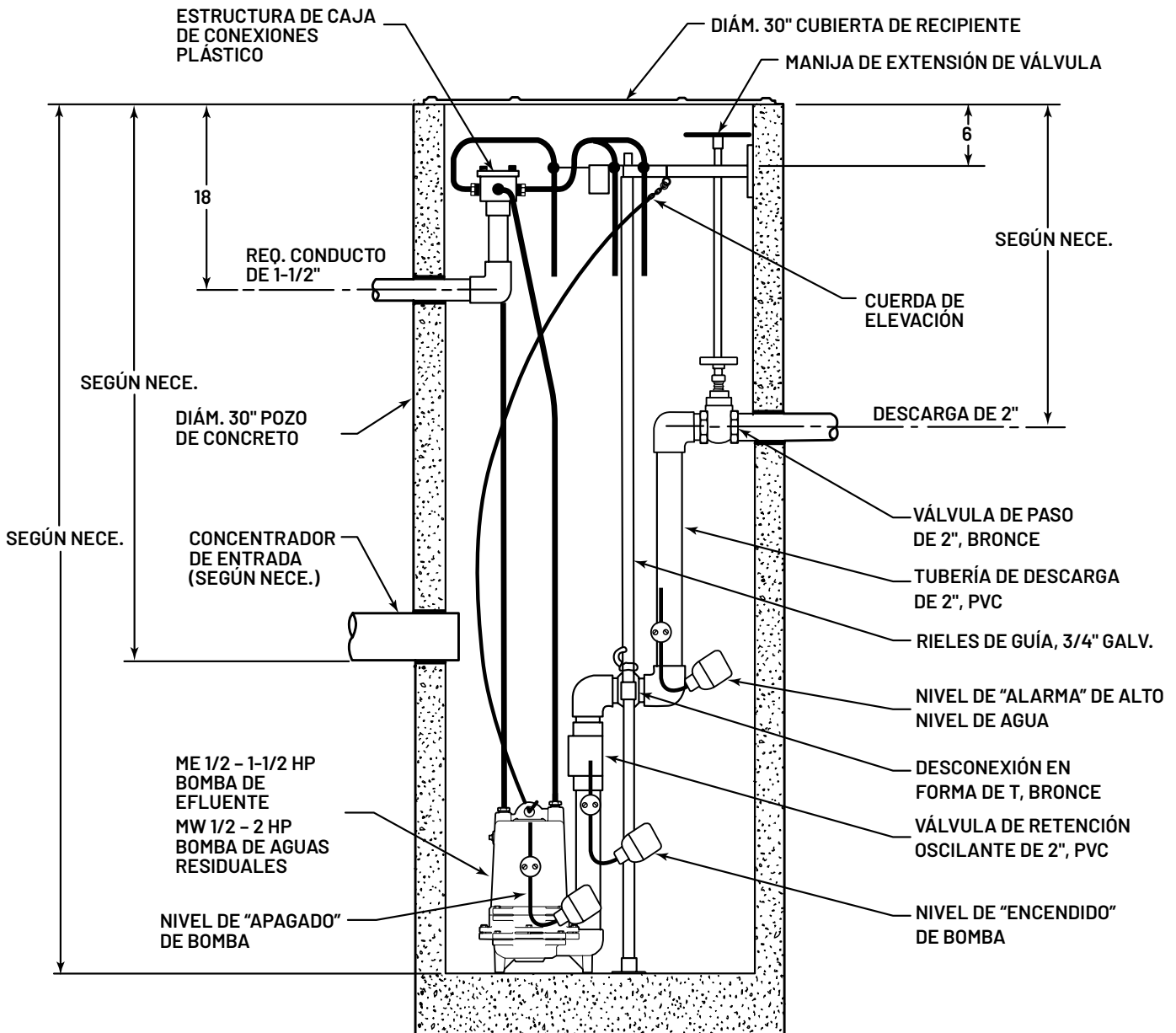
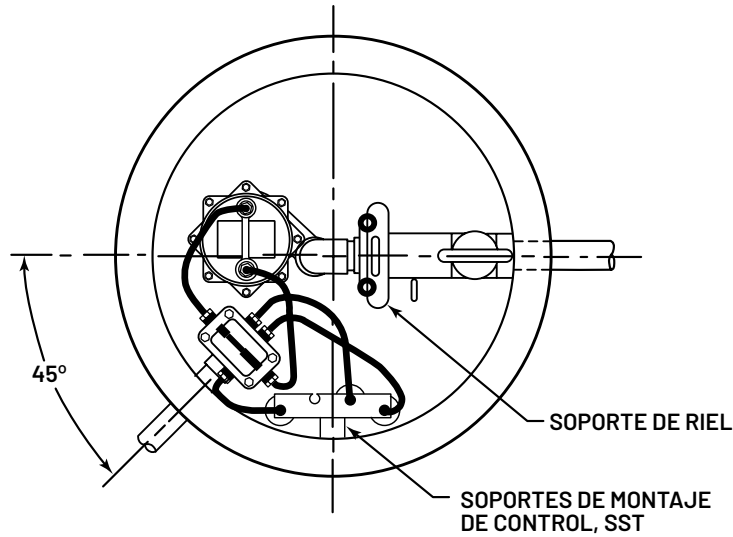
Cada bomba está empaquetada por separado en un cartón marcado con un número de catálogo y el número de ingeniería Myers.

CONTROLES DE NIVEL

Todas las bombas deben usar interruptores de control de nivel sellados para operación automática. Los controles MLC y MFLC tienen interruptores sellados con una calificación de 1 HP a 230 voltios. Los controles ALC y AWS-1 tienen interruptores mecánicos sellados con calificación de 2 HP a 230 voltios. Las bombas de fase única simple se pueden convertir en automáticas al agregar controles MFLC o MFS a la bomba. Estos interruptores tienen un nivel de extracción de 8 a 10 pulgadas y se puede usar en hasta 1 HP. Para calificaciones mayores de caballos de fuerza, se pueden usar dos interruptores de mercurio (o SMNO) con un arrancador magnético. También se pueden usar sistemas simples en interruptores de control de mercurio piloto de encendido/apagado (cuando lo permite el código) con la caja de control y el arrancador magnético. Los controles ALC y AWS-1 se pueden usar para bombas de fase única simples con calificaciones de hasta 2 HP. Todos los sistemas duplex deben usar interruptores de control de mercurio piloto con caja de control y arrancadores magnéticos.

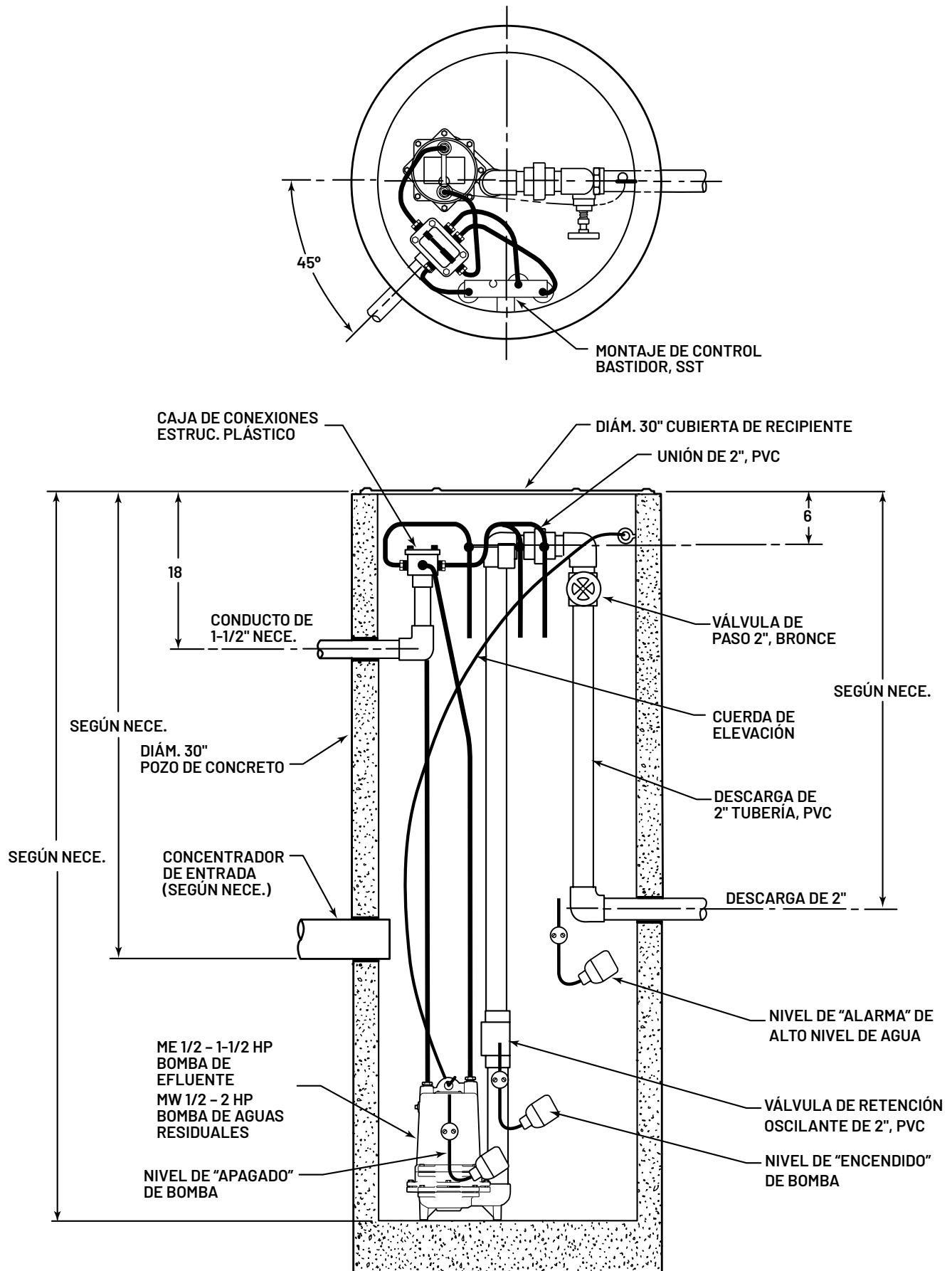
Los cables de conexión se pueden usar en todas las bombas de fase única con un solo sello (no tiene un detector de fuga de sello). Este cable tiene una patilla de CONEXIÓN A TIERRA que se

Simple de diámetro de 30" ME/MW 1/2 - 2 HP

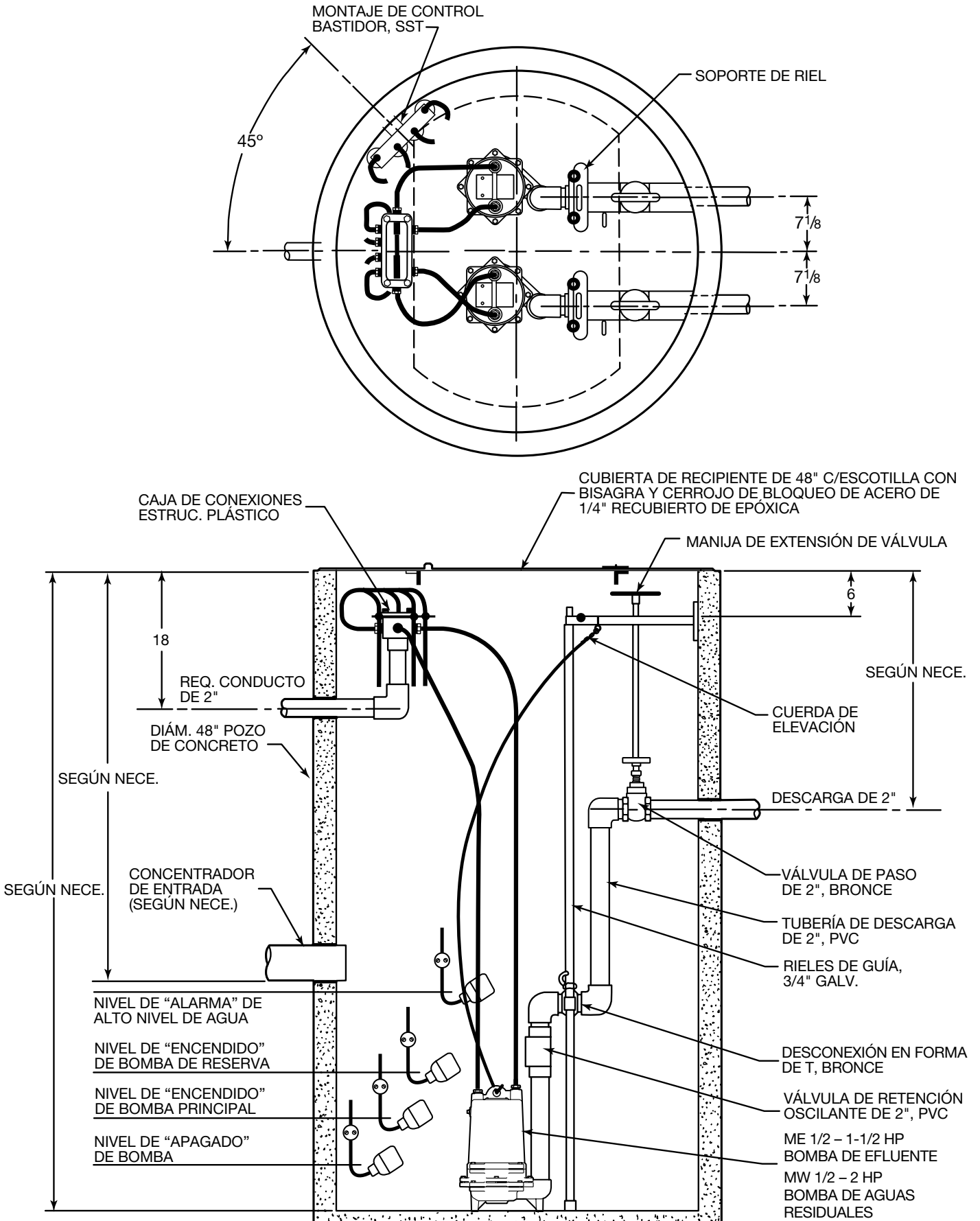


DIAGRAMAS

Sistema de unión simple de diámetro de 30" ME/MW 1/2 - 2 HP



Dúplex de diámetro de 48" ME/MW 1/2 - 2 HP



MANTENIMIENTO

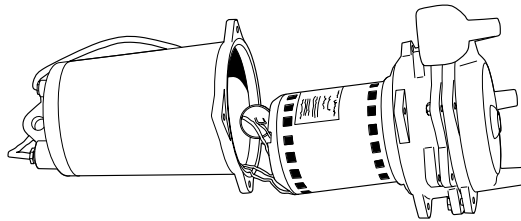
ANTES DE DESMANTELAR LA BOMBA PARA LA SUSTITUCIÓN DE PIEZAS

Limpie la bomba minuciosamente. Quite todo el sarro y los depósitos. Use esmerilado con arena, de ser posible. Sumerja la unidad completa en una solución desinfectante de cloro por al menos una hora antes de desensamblarla.

SOLO PARA SUSTITUIR CONDENSADORES

Todos los motores de fase única son de tipo de condensador dividido permanente y no tienen relés o un interruptor de arranque. Solo tienen un condensador de arranque que está en el circuito para condiciones de arranque y de funcionamiento.

1. Quite el tapón de llenado de aceite cerca de la parte superior del motor y drene el aceite.
2. Suelte las tuercas alrededor de los cables hasta que estén suficientemente sueltas para empujar los cables hacia el interior del alojamiento del motor.



3. Quite los cuatro pernos del alojamiento del motor y golpee el alojamiento con un martillo plástico para soltarlo. Coloque la bomba de lado.
4. Quite el alojamiento con cuidado para asegurarse de empujar suficiente cable hacia el interior del alojamiento para que no haya tensión en los cables.
5. Deslice el alojamiento del motor lo suficiente para exponer el condensador y para poder colocar el alojamiento.
6. Desconecte el cableado del condensador y suelte la abrazadera del condensador hacia fuera del condensador. Sustituya con el condensador nuevo, apriételo y vuelva a conectarlo. El diagrama de cableado se incluye con estas instrucciones.
7. Compruebe todos los conectores de cableado para asegurarse de que estén firmes.
8. Asegúrese de que la empaquetadura de tetrasello esté en su lugar.
9. Deslice el alojamiento del motor de vuelta a la bomba mientras tira de los cables hacia fuera lentamente. Ensamble el alojamiento del motor con los cuatro pernos.
10. Vuelva a armar los pernos de cable. Asegúrese de que las arandelas estén colocadas y los cables estén arriba para que queden firmes contra las arandelas. Apriete las tuercas hasta que queden fijos.
11. Coloque la bomba derecha y vuelva a llenar el motor con aceite transformador parafínico refinado, ¹Shellflex™ 2210 o equivalente. NUNCA LO LLENE CON ACEITE. Con la bomba en posición derecha, llene de aceite hasta el fondo de la toma de aceite. Vuelva a colocar el tapón de llenado de

aceite.

¹ Shell Oil Company, Texas

12. Asegúrese de que la bomba gire libremente antes de conectarla a la alimentación. Gire la bomba a su lado y gire el impulsor, usando el destornillador en el eje con ranura. Enchufe la bomba en el receptáculo para probar la operación. La bomba debe funcionar de forma silenciosa y sin vibraciones.

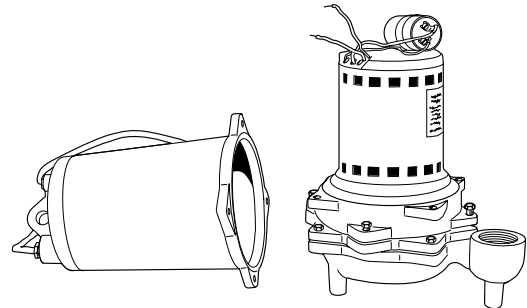
PARA REEMPLAZAR EL CABLE DE ALIMENTACIÓN Y/O LA FUGA DE SELLO CABLE DEL DETECTOR

Quite el alojamiento del motor, según lo indicado anteriormente. Desconecte las terminales de unión y quite el tornillo de tierra del cable de alimentación, si se reemplaza.

Desatornille completamente el cable que reemplazará y quite el conjunto de cable del alojamiento. Asegúrese de que las terminales estén fijadas en los cables.

Reemplace con el cable correcto con acoples. Presione el cable hacia el alojamiento del motor lo suficiente para realizar las conexiones correctas. Vuelva a conectar el cable de tierra si está reemplazando el cable de alimentación y conecte los cables correctamente. Consulte el diagrama de cableado de estas instrucciones.

Arme los cables y el alojamiento del motor según se indica en **Sustitución de condensador**. Llène con aceite, como se indica, y asegúrese de que la bomba gire libremente antes de conectarla a la alimentación.



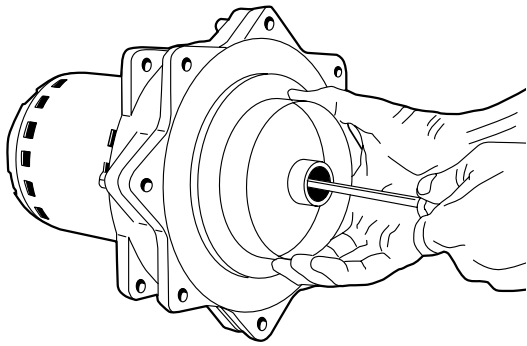
PARA SUSTITUIR EL ESTATOR DEL MOTOR Y LA CUBIERTA

1. Quite el alojamiento del motor, según lo indicado anteriormente.
2. Desconecte todas las conexiones de los cables de alimentación y de fuga de sello y el cable de conexión a tierra y coloque la bomba derecha.
3. Suelte los cuatro tornillos largos que sostienen el motor y quítelos lentamente. Si la unidad tiene sondas de fuga de sello, asegúrese de ingresar los cables a través de las ranuras a medida que extrae el motor.
4. Quite el condensador y abrazadera anteriores del motor antiguo y ensámblelos en el nuevo estator y cubierta o reemplácelos con un nuevo condensador y ensamble los dos conectores de condensador según el diagrama de cableado.
5. Posicione la arandela del resorte del cojinete sobre el rodamiento superior.

MANTENIMIENTO

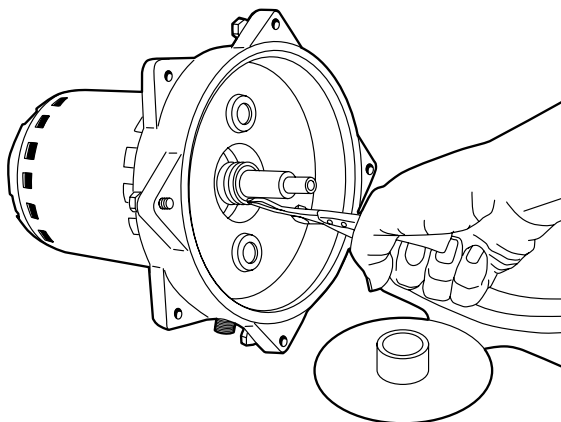
- Apriete los tornillos de terminal de las sondas de fuga de sello e ingrese los cables a través de las ranuras del motor.
- Posicione el "estator con cubierta" en su lugar y alinee los tornillos con la tubuladura y apriete los (4) tornillos largos. Extienda los cables de sonda a través de las ranuras. Coloque la unidad en línea con el alojamiento del motor.
- Asegúrese de que la bomba gire libremente con el destornillador en el extremo del impulsor del eje.
- Vuelva a conectar todas las terminales de forma segura, según el diagrama.
- Asegúrese de que la empaquetadura de tetrasello esté en su lugar.
- Vuelva a ensamblar el alojamiento del motor y llénelo con aceite, como se indica en la sustitución del condensador.

AVISO En motores trifásicos, siempre revise que la unidad



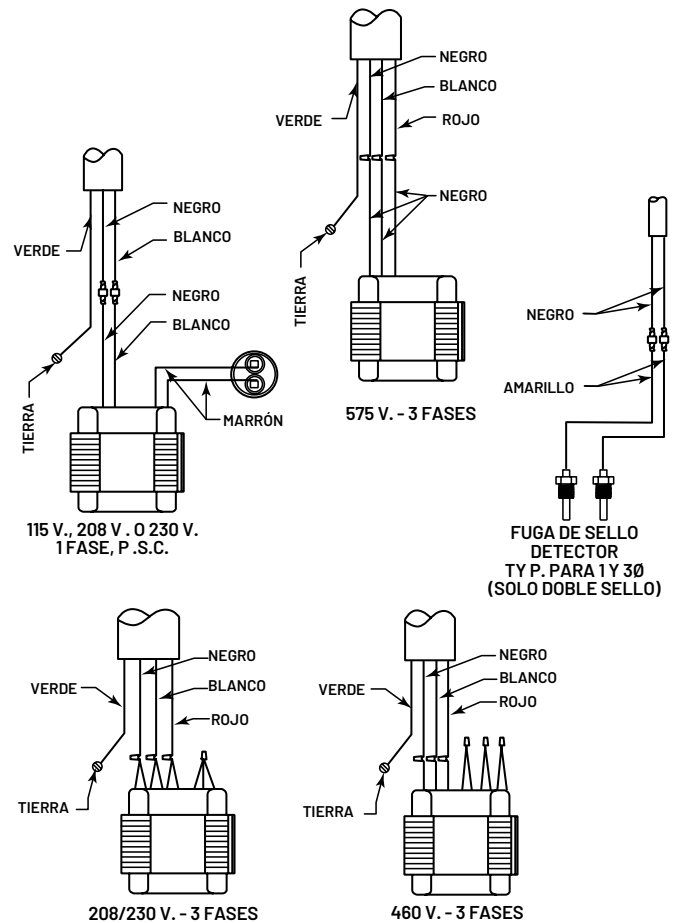
gire correctamente. Con la bomba de lado, aplique energía encendiéndola y luego apagándola rápidamente. El impulsor debe girar a la derecha cuando mire a la entrada del impulsor. De lo contrario, intercambie cualquiera de los dos conectores en la caja de control.

SUSTITUCIÓN DEL SELLO DEL EJE



- Extraiga los enchufes del alojamiento del motor y del alojamiento del sello (para unidades de sello doble) y drene el aceite.
- Quite los cuatro pernos que sostienen la carcasa de voluta y golpee la carcasa con un martillo plástico para soltarla.
- Sostenga el impulsor y desatornille el tornillo de bloqueo del impulsor. Gire a la derecha para soltar.
- Quite los fuelles de sello y el asiento cerámico. Si es necesario, rompa los asientos para sacarlos, ya que se deben reemplazar con piezas nuevas.
- NUNCA USE PIEZAS DE SELLO ANTIGUAS: USE SOLO SELLOS COMPLETAMENTE NUEVOS.** (No use la placa de retención de resorte del sello en una bomba de sello único o a bomba de sello doble.)

DIAGRAMA DE CABLEADO

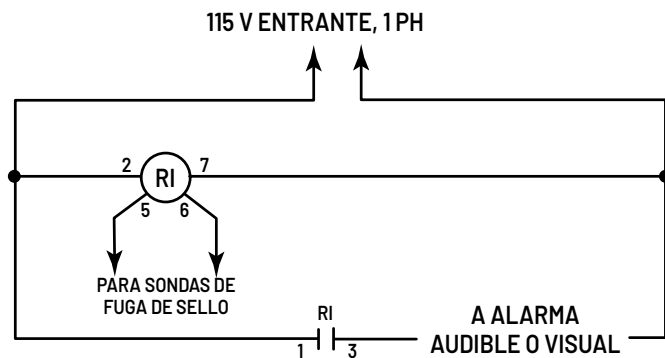


BOBINA DE VOLTAJE DOBLE TRIFÁSICA

Voltaje	Conectores			
	Negro	Blanco	Rojo	Juntos
208 y 230	1 y 7	2 y 8	3 y 9	4 y 5 y 6
460	1	2	3	4 y 7, 5 y 8, 6 y 9

ESPECIFICACIONES

CIRCUITO DE Sonda DE SELLO DE SENSOR DE HUMEDAD



Relé: SSAC Inc. #LLC44A5A

Zócalo: Tipo de enchufe de 8 pines estándar

Si se usa el panel Myers, consulte a continuación.

Bombas: ME50D-11,
ME75D-11

Panel requerido:

CMEP(SL)-11S, -11SW, -11D, o -11DW

Bombas: ME50D-01, ME50D-21,
ME75D-01, ME75D-21,
ME100D-01, ME100D-21,
ME150D-01, ME150D-21,
MWH50D-01, MWH50D-21,
MW100D-01, MW100D-21,
MW150D-01, MW150D-21,
MW200D-01, MW200D-21

Panel requerido:

CMEP(SL)-21S, -21SW, -21D, o -21DW

Bombas: ME50D-03, ME50D-23,
ME75D-03, ME75D-23,
ME100D-03, ME100D-23,
ME150D-03, ME150D-23,
MWH50D-03, MWH50D-23,
MW100D-03, MW100D-23,
MW150D-03, MW150D-23,
MW200D-03, MW200D-23

Panel requerido:

CMEP(SL)-23S, -23SW, -23D, o -23DW

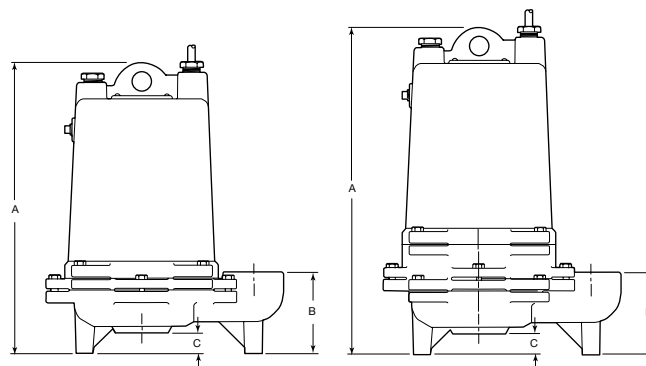
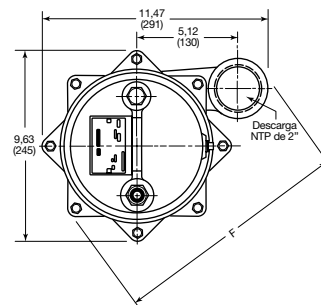
Bombas: ME50D-43,
ME75D-43,
ME100D-43,
ME150D-43,
MWH50D-43,
MW100D-43,
MW150D-43,
MW200D-43

Panel requerido:

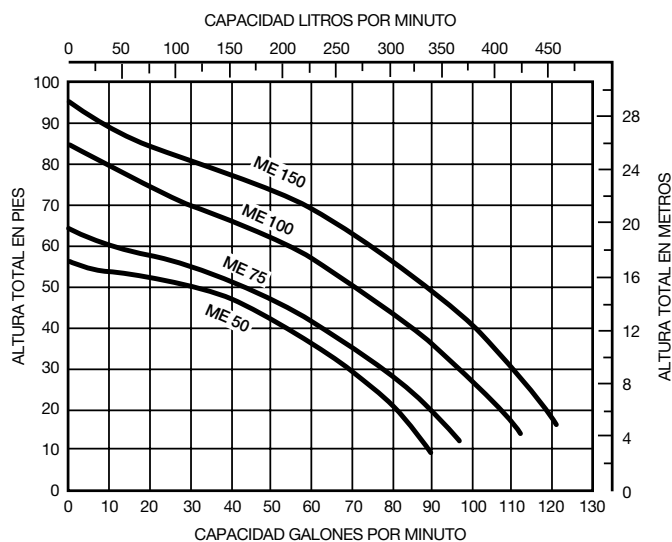
CMEP(SL)-43S, -43SW, -43D, o -43DW

DIMENSIONES DE LA SERIE ME

Serie modelo	Pulgadas (milímetros)			
	A	B	C	F
ME50S	16,8 (427)	4,09	1,03	12,13
ME50D	18,6 (472)	(104)	(26)	(308)
ME75S, ME100S, ME150S	16,8 (427)	4,0	1,06	12,5
ME75D, ME100D, ME150D	18,6 (472)	(102)	(27)	(318)

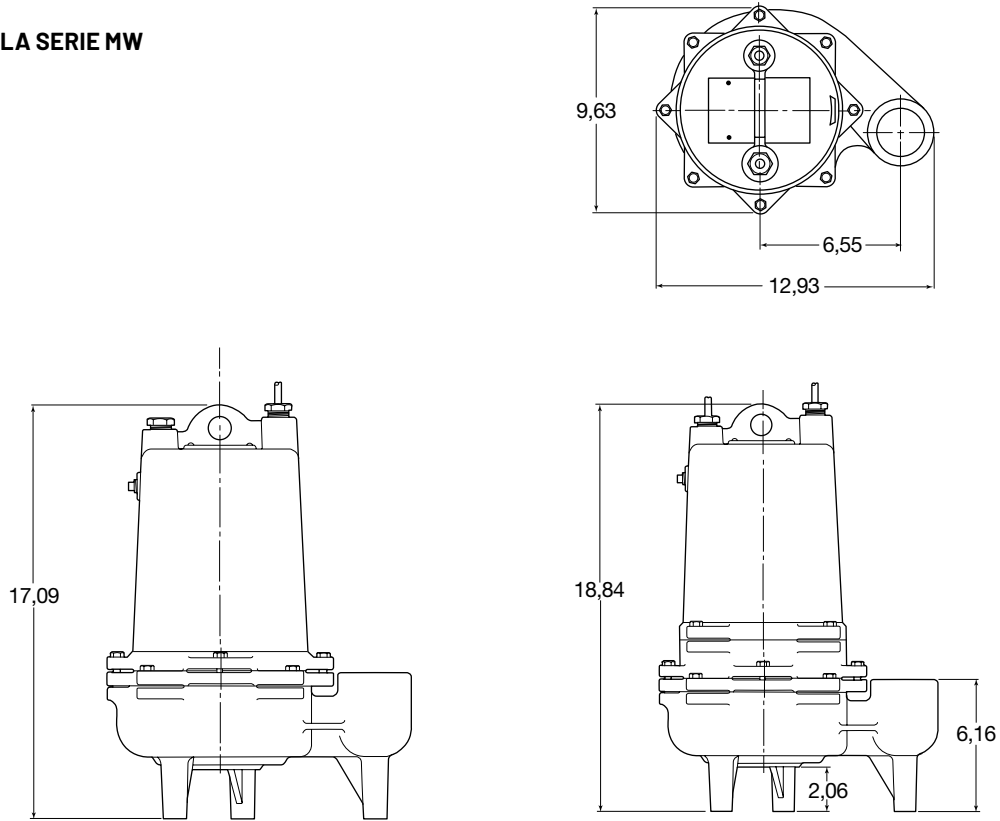


CURVA DE RENDIMIENTO ME

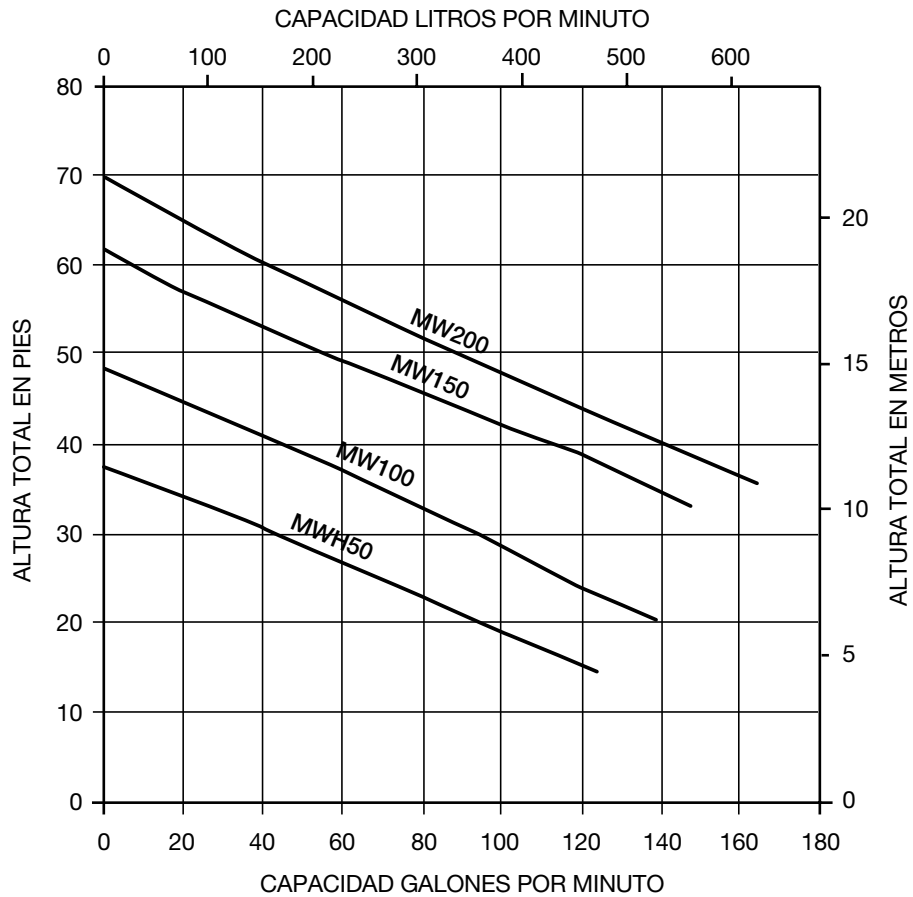


TABLAS DE DIMENSIONES

DIMENSIONES DE LA SERIE MW



CURVA DE RENDIMIENTO MW



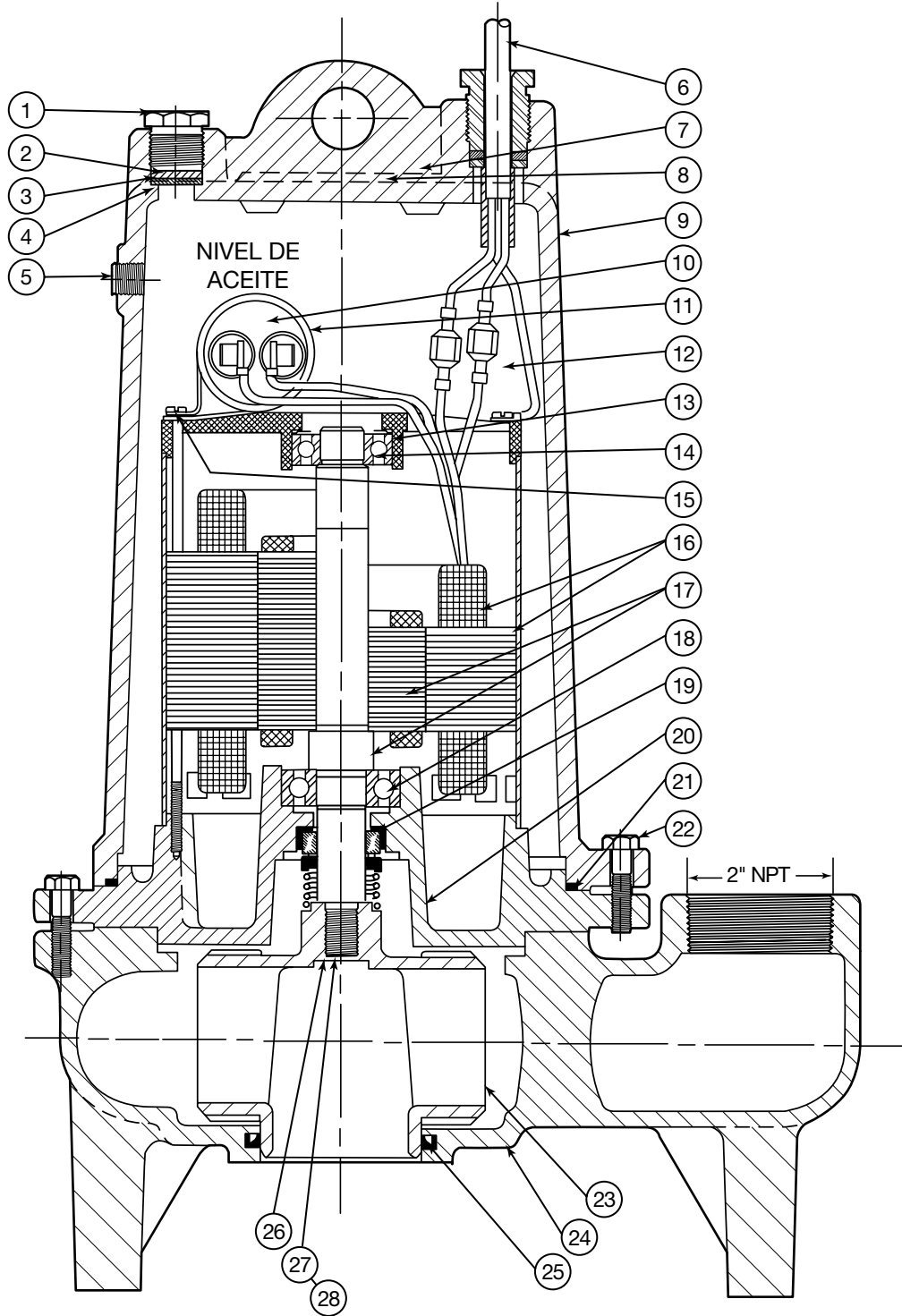
TABLAS DE DIMENSIONES

TABLA DE DATOS DE MOTOR

H.P.	Velocidad	Voltios	Fase	Altura de pila	Resistencia de bobina en ohmios			Amperios máx.	Amperios de rotor bloqueado			
					Principal Blanco a negro	Inicio: 1Ø	Blanco a rojo					
						Marrón a Marrón 0 morado						
Serie ME												
1/2	3450	115	1	1-5/8	0,9/0,8	14,7	-	12,1	29,6			
		208				6,7		16,5				
		230				6,0		15,0				
		208/230	3		11,3	11,3	11,3	3,5/3,2	12,8			
		460			45,4	45,4	45,4	1,6	6,4			
		575			71,0	71,0	71,0	1,3	5,1			
3/4	3450	115	1	2-1/4	0,85	4,9	-	13,8	30,4			
		208/230			4,5	12,0		7,6/6,9	16,2			
		208/230	3	2	7,6	7,6	7,6	5,2/4,7	20,2			
		460			30,1	30,1	30,1	2,3	10,1			
		575			47,0	47,0	47,0	1,9	8,1			
1	3450	208	1	2-3/4			-	10,3	21,0			
		230			3,0/2,6	16/14		9,3	19,0			
		208/230	3	2-1/2	5,3	5,3	5,3	6,6/6,0	29,0			
		460			21,2	21,2	21,2	3,0	14,5			
		575			33,1	33,1	33,1	2,4	11,6			
1-1/2	3450	208	1	2-3/4			-	14,1				
		230			2,4	12,0		12,8	23,0			
		208/230	3		4,5	4,5	4,5	8,8/8,0	30			
		460			16,0	16,0	16,0	4,0	15,0			
		575			25,0	25,0	25,0	3,2	12,0			
Serie MW												
1/2	3450	208	1	2-1/4	2	7,6	7,6	-	7,6	16,2		
		230							6,9			
		208	3	2				7,6	7,6	7,6	5,2	20,2
		230						30,1	30,1	30,1	4,7	
		460						47,0	47,0	47,0	2,3	
1	3450	575	1	2-3/4	2-1/2	33,1	33,1	-	1,9	8,1		
		208							2,2		11,5	10,3
		230	2,8	15,0				9,3	19,0			
		208	3	2-1/2				5,3	5,3	5,3	6,6	29,0
		230						21,2	21,2	21,2	6,0	
460	33,1	33,1			33,1	3,0	14,5					
1-1/2	3450	575	1	2-3/4	28,0	28,0	-	2,4	11,6			
		208						2,1		9,3	14,8	39,9
		230	1,6				7,4	12,8	33,4			
		208	3				2-3/4	4,5	4,5	4,5	7,7	30
		230						18,0	18,0	18,0	7,0	
460	28,0	28,0		28,0	3,5	15,0						
2	3450	575	1	2-3/4	28,0	28,0	-	2,8	12,0			
		208						2,1		9,3	15,3	39,9
		230	1,6				7,4	13,1	33,4			
		208	3				2-3/4	4,5	4,5	4,5	8,5	30
		230						4,5	4,5	4,5	7,7	
460	18,0	18,0		18,0	3,9	15,0						
575	28,0	28,0	28,0	3,1	12,0							

ESPECIFICACIONES DE BOMBA DE SELLO ÚNICO

DIAGRAMA DE SECCIÓN TÍPICO PARA BOMBAS DE SELLO ÚNICO ME/MW50-200



ESPECIFICACIONES DE BOMBA DE SELLO ÚNICO

LISTA DE PIEZAS DE REPARACIÓN DE SELLO ÚNICO

Ref.	Descripción	Cant.	Numeración de partes
1	Tuerca, enchufe de cable, sólido	1	25341A002
2	Arandela, 1/32" Thk.	1	05030A234
3	Empaquetadura, caucho	1	05014A193
4	Arandela, 3/32" Espesor.	1	05030A235
5	Enchufe, tubería de 1/4"	1	05022A009
6	Cable, alimentación	1	Ver tabla
7	Tornillo, destornillador	2	05160A004
8	Placa de nombre	1	N/C
9	Alojamiento, motor	1	25327D000
10	Condensador (solo 1 PH)	1	Ver tabla
11	Clip, condensador (solo 1 PH)	1	Ver tabla
12	Aceite, transformador	0,8-1 gal	11009A006
12A	Conectores (solo 3 PH)	3-6	15781A001
13	Arandela, cojinete	1	19331A005
14	Rodamiento, superior	1	08565A013
15	Tornillo, estándar, n.º 10 x 3/8	2	09822A032

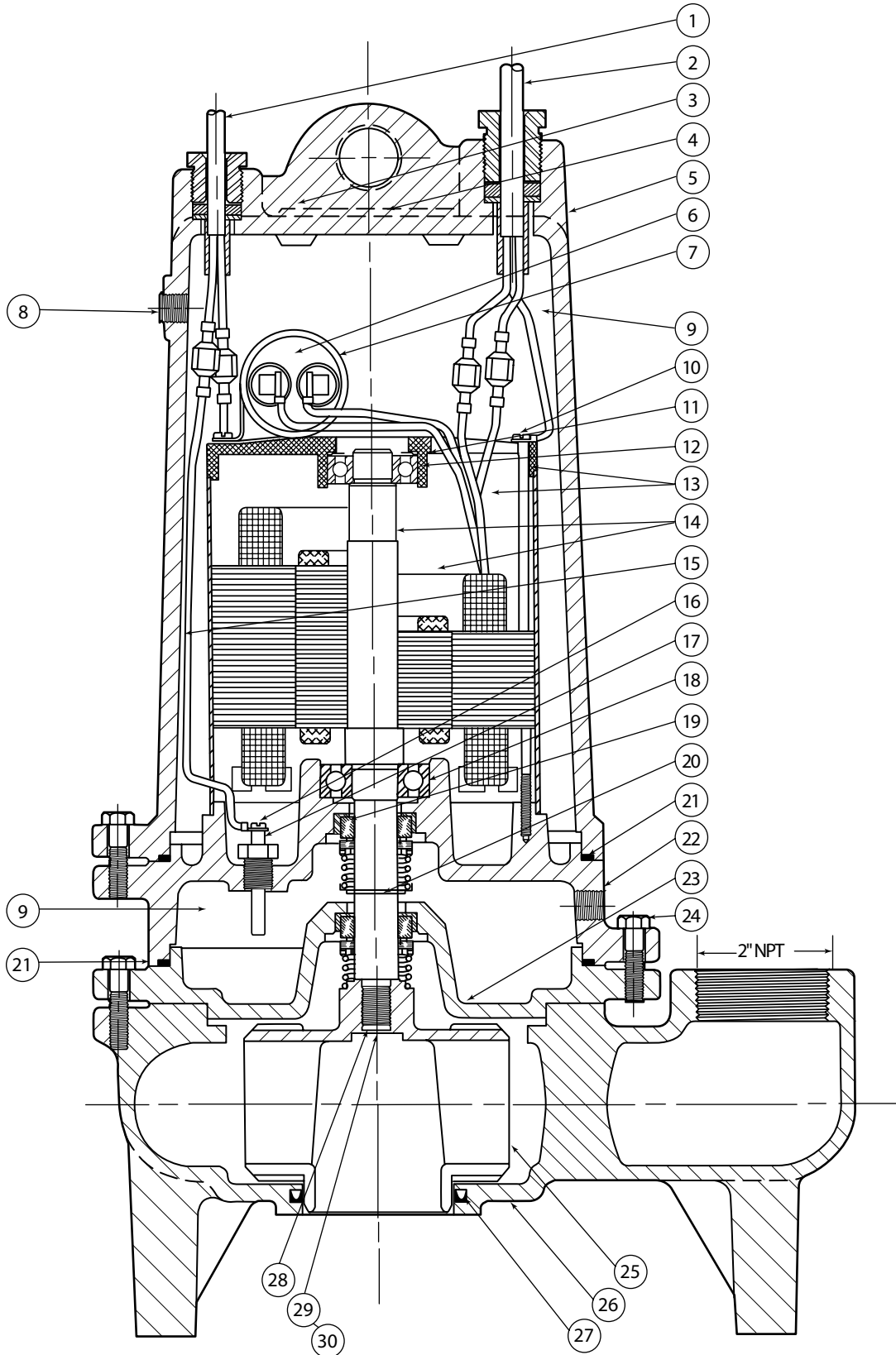
Ref.	Descripción	Cant.	Número de boquilla
16 y 17	Estator, eje rotor con cubierta	1	Ver tabla
18	Rodamiento, inferior	1	08565A022
19	Sello, eje	1	25370A000
20	Placa, cojinete y sello	1	25367D000
21	Empaquetadura, tetrasello, 7x6-3/4x1/8	1	05014A181
22	Tornillo, tapa, 5/16 x 1-1/4	8	19100A012
23	Impulsor	1	Ver tabla
24	Carcasa, voluta (ME50)	1	25357D000
	Carcasa, voluta (ME75-150)	1	25331D000
	Carcasa, voluta (MWH5-200)	1	26057D000
25	Copa, U, HUVA (ME50-150)	1	22835A005
	Copa, U, HUVA (MWH50-200)	1	22835A009
26	Arandela, placa de retención de impulsor	1	05030A242
27	Tornillo, máquina n.º 10 x 3/8	1	06106A042
28	Sellante	1	14550A001

Unidad fabricada antes de agosto de 2007 póngase en contacto con la fábrica para piezas de reparación.

Número de artículo			6		10	11	16 y 17	23			
Hp	Voltios	PH	Cable de alimentación con enchufe	Cable de alimentación sin enchufe	Condensador	Clip de condensador	Rotor estator y conjunto de eje	ME Impulsor Plastico	ME Impulsor opcional de bronce naval	MW Impulsor DI	MWH Impulsor opcional de bronce naval
1/2	115	1	25338B004	25338B006	23839A000	20333A006	25484D100	25333B025	25348B121	26029B013	26029B113
	208										
	230										
	230										
	460										
	575										
3/4	115	3	25338B000	25338B002	23839A000	20333A006	25484D100	25348B020	25348B120		
	208										
	230										
	208										
	230										
	460										
575											
1	208	1		25338A002	23838A000	20333A004	25484D104	25348B010	25348B110	26029B012	26029B112
	230										
	25338B001										
	208										
	230										
	460										
575											
1-1/2	208	1		25338B002	23838A000	20333A004	25484D104	25348B000	25348B100	26029B011	26029B111
	230										
	25338B001										
	208										
	230										
	460										
575											
2	208	1		25338B009	23839A000	20333A006	25484D108	26029B000		26029B000	26029B100
	230										
	26520A000										
	208										
	230										
	460										
575											
	208	3		25338B008			25484D110				
	230										
	25338B003										
	208										
	230										
	460										
575											
	208	3		25338B003			25484D111				
	230										
	25338B003										
	208										
	230										
	460										
575											

ESPECIFICACIONES DE BOMBA DE SELLO DOBLE

DIAGRAMA DE SECCIÓN TÍPICO PARA BOMBAS DE SELLO DOBLE ME/MW50-200



ESPECIFICACIONES DE BOMBA DE SELLO DOBLE

LISTA DE PIEZAS DE REPARACIÓN DE SELLO DOBLE

Ref.	Descripción	Cant.	Número de boquilla
1	Cable, sensor	1	25339B000
2	Cable, alimentación	1	Ver tabla
3	Tornillo, destornillador	2	05160A004
4	Placa de nombre	1	N/C
5	Alojamiento, motor	1	25327D000
6	Condensador (solo 1PH)	1	Ver tabla
7	Clip, condensador (solo 1PH)	1	Ver tabla
8	Enchufe, tubería de 1/4"	1	05022A009
9	Aceite, transformador	1,12 gal	11009A006
9A	Conectores (solo 3 PH)	3-6	15781A001
10	Tornillo, estándar, n.º 10 x 3/8	2	09822A032
11	Arandela, cojinete	1	19331A005
12	Rodamiento, superior	1	08565A013
13 y 14	Estator, eje rotor con cubierta	1	Ver tabla
15	Cable, electrodo	2	21792A004
16	Tornillo, n.º 6 x 1/4	2	05434A025
17	Sonda de sello	2	25343A000

Unidad fabricada antes de agosto de 2007 póngase en contacto con la fábrica para piezas de reparación.

Ref.	Descripción	Cant.	Número de boquilla
18	Rodamiento, inferior	1	08565A022
19	Sello, eje	1	25370A000
20	Anillo, retención	2	12558A021
	Anillo, retención	1	12558A033
21	Empaquetadura, tetrasello, 7x6-3/4x1/8	2	05014A181
22	Sello de alojamiento	1	25369D000
23	Placa, fondo	1	25368D000
24	Tornillo, tapa 5/16 x 1-1/4	12	19100A012
25	Impulsor	1	Ver tabla
26	Carcasa, voluta (ME50)	1	25357D000
	Carcasa, voluta (ME75-150)	1	25331D000
	Carcasa, voluta (MWH50-200)	1	26057D000
27	Copa, U, HUVA (ME50-150)	1	22835A005
	Copa, U, HUVA (MWH50-200)	1	22835A009
28	Arandela, placa de retención de impulsor	1	05030A242
29	Tornillo, máquina n.º 10 x 3/8	1	06106A042
30	Sellante	1	14550A001

Número de artículo			2		6	7	13 y 14	25			
Hp	Voltios	PH	Cable de alimentación con enchufe	Cable de alimentación sin enchufe	Condensador	Clip de condensador	Rotor estator y conjunto de eje	ME Impulsor Plástico	ME Impulsor opcional de bronce naval	MW Impulsor DI	MWH Impulsor opcional de bronce naval
1/2	208	1	25338B005	25338B006	23839A000	20333A006	25484D201	25333B025	25348B121	26029B013	26029B113
	230										
	3	25484D202									
		460									
		575									
25484D203											
3/4	208	1	25338B001	25338B002	23839A000	20333A006	25484D201	25348B020	25348B120		
	230										
	3	25484D202									
		460									
		575									
25484D203											
1	208	1	25338B001	25338B002	23838A000	20333A004	25484D205	25348B010	25348B110	26029B012	26029B112
	230										
	3	25484D206									
		460									
		575									
25484D207											
1-1/2	208	1	25338B001	25338B002	23838A000	20333A004	25484D205	25348B000	25348B100	26029B011	26029B111
	230										
	3	25484D206									
		460									
		575									
25484D207											
2	208	1	25338B001	25338B002	26520A002		25484D209			26029B000	26029B100
	230										
	3	25484D211									
		460									
		575									
25484D212											

GARANTÍA LIMITADA ESTÁNDAR

Pentair Myers® garantiza sus productos contra defectos de materiales y de fabricación por un período de 12 meses desde la fecha de envío por Pentair Myers o 18 desde la fecha de fabricación, lo que ocurra primero, siempre que estos productos se usen en cumplimiento con los requisitos y manuales técnicos de Pentair Myers para su uso en bombas de aguas residuales, aguas de desechos municipales o líquidos similares, no corrosivos y libres de materiales abrasivos.

Durante el periodo de garantía y sujeto a las condiciones establecidas, Pentair Myers, a su discreción, reparará o reemplazará al usuario original, las piezas que se prueben que presentaban materiales y fabricación defectuosas. Pentair Myers se reserva el derecho de cambiar o mejorar sus productos o cualquier porción de ellos sin estar obligado a proporcionar tales cambios o mejoras para unidades vendidas o enviadas anteriormente.

Se pueden requerir informes de arranque y esquemas eléctricos para apoyar los reclamos de garantía. Envíe al momento del arranque mediante el sitio web de Pentair Myers: <http://forms.pentairliterature.com/startupform/startupform.asp?type=m>. La garantía solo entra en vigencia si se usan paneles de control Pentair Myers. Todos los dispositivos de detección de falla de sello y de calor deben estar conectados, en funcionamiento y vigilados o se anulará esta garantía. Pentair Myers cubrirá solo el sello inferior y el trabajo correspondiente para todas las bombas de sello doble. En ningún caso Pentair Myers será responsable del costo del trabajo en terreno, los gastos de viaje, el equipo alquilado, los costos de extracción/reinstalación o los costos de transporte hacia y desde la fábrica o una instalación de servicio autorizada de Pentair Myers.

Esta garantía limitada no se aplicará: (a) a defectos o funcionamientos incorrectos resultantes de la instalación, uso o mantenimiento incorrectos de la unidad en concordancia con las instrucciones proporcionadas; (b) a fallas causadas por abuso, accidentes o negligencia; (c) a servicios de mantenimiento normales y piezas utilizadas en relación con tal servicio; (d) a unidades que no se instalen en concordancia con los códigos, ordenanzas y prácticas óptimas de negocios locales aplicables; (e) si la unidad se mueve de su ubicación de instalación original; (f) si la unidad se usa para propósitos distintos de para los que fue diseñada y fabricada; (g) a cualquier unidad que haya sido reparada o alterada por alguien que no sea Pentair Myers o un proveedor de servicios autorizado de Pentair Myers; (h) a cualquier unidad que haya sido reparada usando piezas no especificadas por fábrica/OEM.

Exclusiones de garantía: PENTAIR MYERS NO REALIZA GARANTÍAS EXPRESAS O IMPLÍCITAS QUE SE EXTIENDAN MÁS ALLÁ DE LA DESCRIPCIÓN EN LA PRESENTE. PENTAIR MYERS RENUNCIA ESPECÍFICAMENTE A LAS GARANTÍAS IMPLÍCITAS DE COMERCIABILIDAD E IDONEIDAD PARA CUALQUIER PROPÓSITO EN PARTICULAR.

Limitación de responsabilidad: EN NINGÚN CASO PENTAIR MYERS SERÁ RESPONSABLE DE DAÑOS DERIVADOS, ACCIDENTALES O ESPECIALES RESULTANTES DE O DE ALGÚN MODO RELACIONADOS CON ALGÚN PRODUCTO PENTAIR MYERS O LAS PIEZAS DE UNO.

NOTAS



AMERICAS
1101 Myers Parkway
Ashland, Ohio 44805
PH: 855-274-8947

CANADA
490 Pinebush Road,
Unit 4
Cambridge, Ontario,
Canada N1T 0A5
PH: 800-363-7867

www.pentair.com



For a detailed list of where Pentair trademarks are registered, please visit www.pentair.com/en/registrations.html. Pentair trademarks and logos are owned by Pentair plc or its affiliates. Third party registered and unregistered trademarks and logos are the property of their respective owners. Because we are continuously improving our products and services, Pentair reserves the right to change specifications without prior notice. Pentair is an equal opportunity employer.

23833A278 (02-13-20) ©2020 Pentair. All Rights Reserved.