

EFFLUENT AND DRAIN WATER PUMPS

ME45 SERIES

The Myers ME45 Series Effluent and Drain Water Pumps are designed to meet the demand of residential septic tanks or sump applications. This powerful 1/2 HP pump featuring a cast iron impeller provides flow and head required for demanding dosing systems and drainage applications.

APPLICATIONS

Effluent removal, sump drainage, water transfer, and flood control.



FEATURES

- ◆ **Powerful Torque:** High-torque, permanent split capacitor (PSC) motor; no starting switches or relays to wear out.
- ◆ **Rugged and Cool:** Rugged-built, oil-filled motor for continuous bearing lubrication and maximum heat dissipation.
- ◆ **Seal Protection:** Upper and lower ball bearing and heavy duty Type 6 seal for added pump life.
- ◆ **Thermal Protection:** Heat sensor overload protection with automatic reset when motor cools to a safe operating temperature.

SPECIFICATIONS

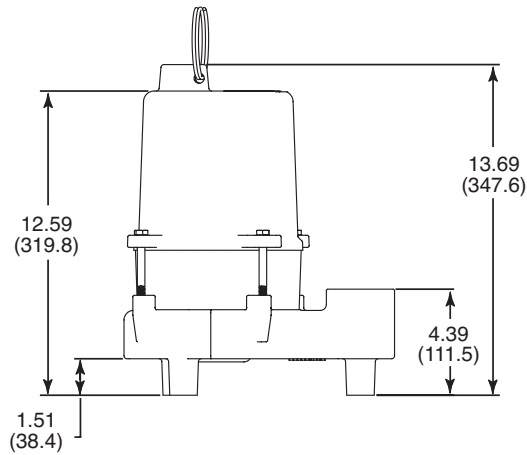
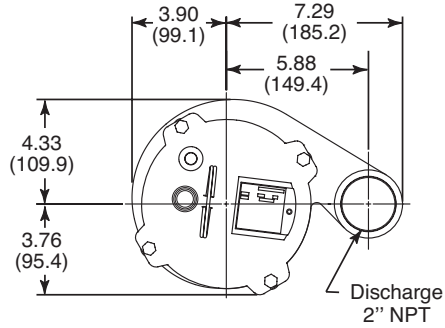
- ◆ **Capacities:** 87 GPM (329 LPM)
- ◆ **Shut-Off Head:** 44' (13.41 m)
- ◆ **Operation:** Manual or Automatic when purchased with piggyback switch
- ◆ **Max. Spherical Solids:** 3/4" (19 mm)
- ◆ **Liquids Handling:** Domestic effluent and drain water
- ◆ **Intermittent Liquid Temp.:** Up to 140°F (60°C)
- ◆ **Motor/Electrical Data:** 1/2 HP, 3450 RPM, oil-filled, permanent split capacitor type, 115V, 8.6A, 1Ø, 60Hz; 230V, 4.3A, 1Ø, 60Hz
- ◆ **Acceptable pH Range:** 5-9
- ◆ **Specific Gravity:** .9-1.1
- ◆ **Viscosity:** 28-35 SSU
- ◆ **Discharge NPT:** 2"
- ◆ **Housing:** Cast iron
- ◆ **Minimum Sump Diameter:** Simplex: 24" (61.0 cm)
Duplex: 36" (91.4 cm)
- ◆ **Power Cord:** 20', 16/3, SJTOW



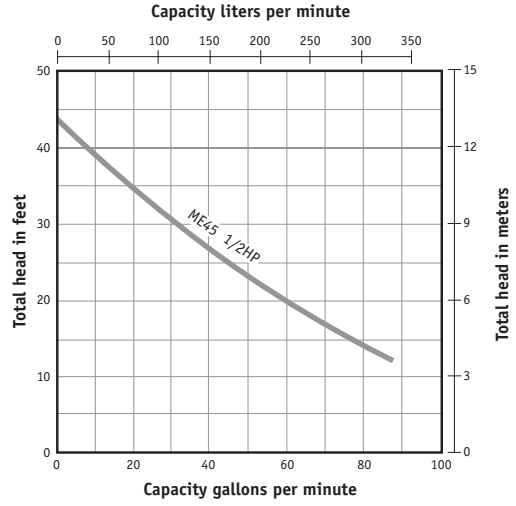
Tested & Certified to UL778
and CSA 108.

3 Year Warranty

DIMENSIONS



PUMP PERFORMANCE



ORDERING INFORMATION

CATALOG NUMBER	HP	VOLTS	PHASE	AMPS	DISCHARGE NPT	SWITCH TYPE	CORD LENGTH	APPROX WT. LBS
ME45MC-11	1/2	115	1	8.6	2"	Manual	20'	58
ME45MC-21	1/2	230	1	4.3	2"	Manual	20'	58



293 Wright St
 Delavan, WI 53115
 Ph: 888.987.8677
 Fx: 800.426.9446

490 Pinebush Rd, Unit 4
 Cambridge, Ontario N1T 0A5, Canada
 Ph: 800.363.7867
 Fx: 888.606.5484

pentair.com

All indicated Pentair trademarks and logos are property of Pentair. Third party registered and unregistered trademarks and logos are the property of their respective owners. Because we are continuously improving our products and services, Pentair reserves the right to change specifications without prior notice. Pentair is an equal opportunity employer.