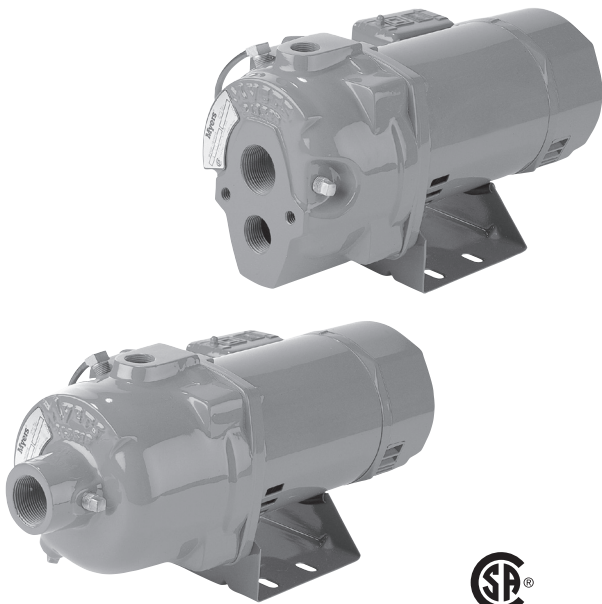


SHALLOW WELL AND CONVERTIBLE PUMP

HR SERIES



Myers HR Series jet pumps provide reliable service for many residential homes and farms, as well as commercial and industrial applications.

APPLICATIONS

Supply water systems and sprinkling systems for homes, farms, and industry.

FEATURES

- ◆ **Quality Construction:** Durable machined heavy-duty construction pump body provides long product life.
- ◆ **Impellers:** Precision molded impellers and diffuser provide smooth, balanced performance and efficiency.
- ◆ **Pressure Switch:** High quality proven pressure switch with adjustable on/off pressure settings. 20 PSI differential.
- ◆ **Motor:** Heavy-duty motor with double ball bearing design and voltage selection device.
- ◆ **Shaft Seal:** Mechanical shaft seal with ceramic face and stainless steel construction for long seal life.

SPECIFICATIONS

- ◆ Cast iron pump case.
- ◆ Dual compartment, 115/230 Volt double-ball bearing motor with voltage selector switch.
- ◆ Priming screen.
- ◆ Diffuser with stainless steel wear ring.
- ◆ Square D pressure switch.

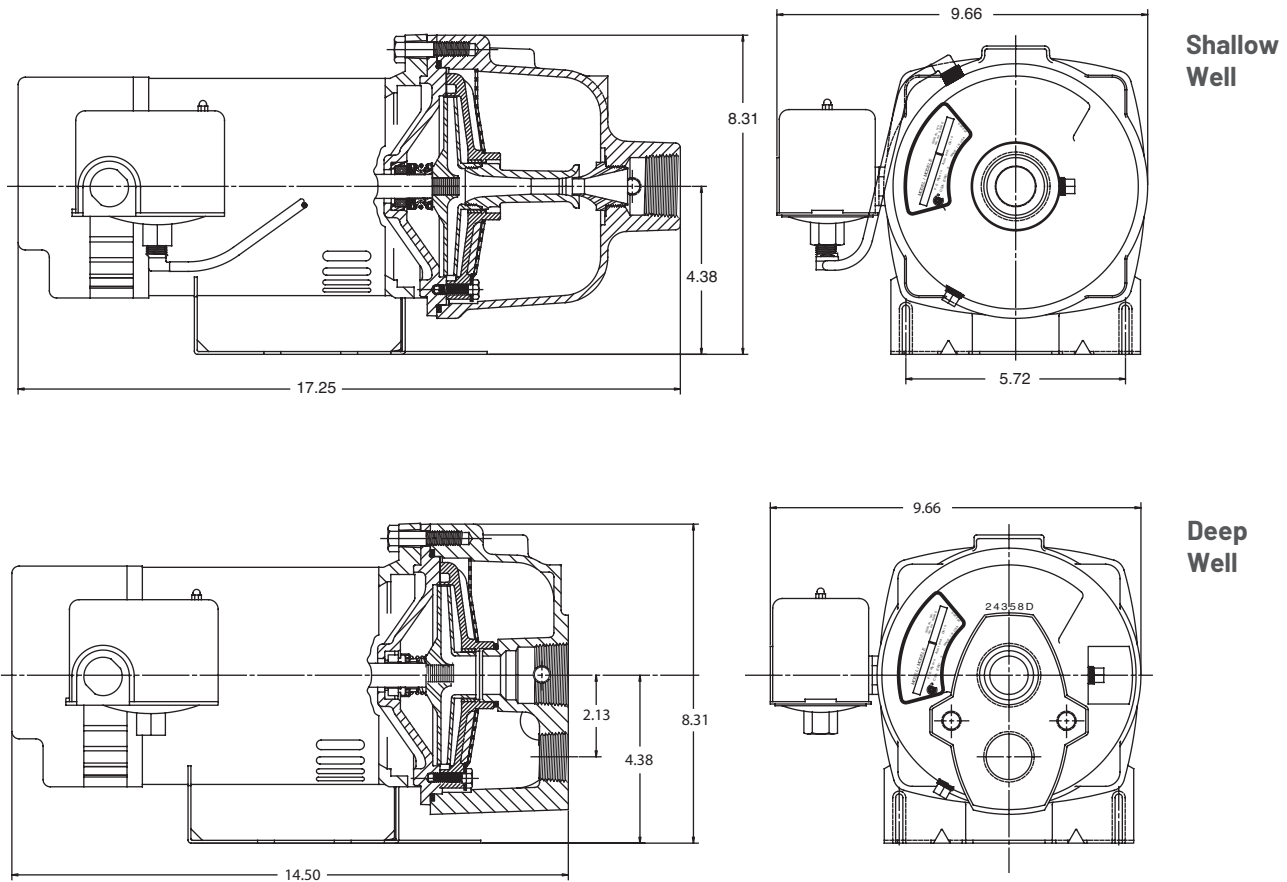
ORDERING INFORMATION

CATALOG NUMBER	HP	DISCHARGE PRESSURE IN LBS.	CAPACITY IN U.S. GALLONS PER MINUTE SUCTION LIFT IN FEET			SHUT-OFF PSI
			5	15	20	
HR50S	1/2	20	11.5	9	6	70
		30	11.5	9	6	
		40	10.5	7.5	5	
		50	5.5	3.5	2	

CATALOG NUMBER	HP	PRESSURE SWITCH SETTING	AVERAGE REGULATOR SETTING	JET PACKAGE CAT. NUMBER			CAPACITY IN U.S. GALLONS PER MINUTE DISTANCE TO LOW WATER LEVEL IN FEET					
				CAST IRON	BRONZE	PACKER FOR 2" WELL	30	40	50	60	70	80
HR50D	1/2	20/40	22	DW50-1	DW50	P50	10	8	7	5.5	4.5	3.5
		30/50	22	DW50-1	DW50	P50	9.5	7.5	6.5	5	4	3.5

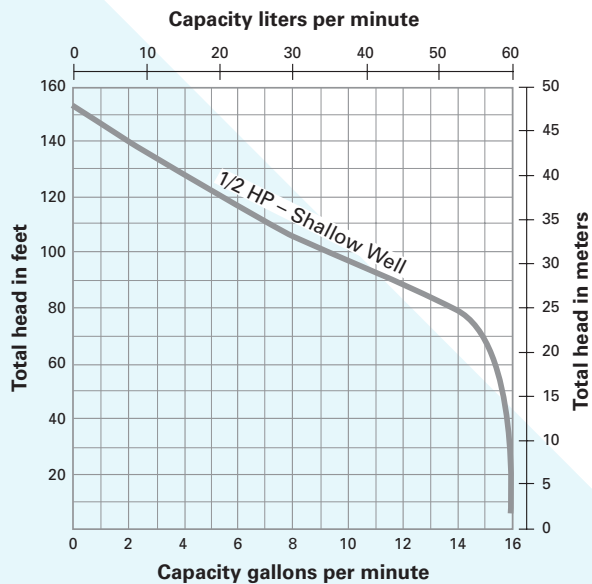
MYERS HR SERIES SHALLOW WELL AND CONVERTIBLE

OUTLINE DIMENSIONS



Dimensions (in inches) are for estimating purposes only.

PUMP PERFORMANCE



REPAIR PARTS KIT FOR HR SERIES

Kit	Includes
PK50	Shaft seal, impeller, diffuser, gasket, O-ring, venturi, and nozzle

MYERS HR SERIES SHALLOW WELL AND CONVERTIBLE



293 Wright Street
Delavan, WI 53115
Ph: 866.973.6835
Fx: 800.426.9446

490 Pinebush Rd., Unit 4
Cambridge, Ontario
Canada N1T 0A5
Ph: 800.363.7867
Fx: 888.606.5484

pentair.com

All indicated Pentair trademarks and logos are property of Pentair. Third party registered and unregistered trademarks and logos are the property of their respective owners. Because we are continuously improving our products and services, Pentair reserves the right to change specifications without prior notice. Pentair is an equal opportunity employer.

©2022 Pentair. All Rights Reserved.

M9129WS (12-15-22)