

SEWAGE PUMPS

WHR SERIES

The Myers WHR Series Sewage Pumps feature all cast iron construction to withstand the most extreme conditions. Available in single seal, and double seal models for additional protection against water leakage. The enclosed two-vane impeller provides high-efficiency pumping and will handle stringy, trashy 2" solids without clogging. Designed for sewage and effluent and can be used for applications requiring high heads.

APPLICATIONS

Residential and Commercial sewage, domestic wastewater, and septic systems.



Tested & Certified to UL778
and CSA 108.

3 Year Warranty

FEATURES

- ◆ **Non-Clog Design:** Recessed impeller provides maximum efficiency and eliminates jamming between volute case.
- ◆ **Leak Detection:** Optional leak probe senses water leakage past seal (dual seal motors only).
- ◆ **Cool Running:** Durable, oil-filled motor for continuous bearing lubrication and maximum heat dissipation.
- ◆ **Powerful Starts:** High-torque, permanent split capacitor (PSC) motor; no starting switches or relays to wear out.
- ◆ **Thermal Protection:** Heat sensor overload protection with automatic reset when motor cools to a safe operating temperature.
- ◆ **High Capacity Handling:** Passes full 2" solids.

SPECIFICATIONS

- ◆ **Capacities:** 176 GPM (666 LPM)
- ◆ **Shut-Off Head:** 33' (10.1 m)
- ◆ **Solids Handling:** 2" (50.8 mm)
- ◆ **Liquids Handling:** Drain water and domestic sewage
- ◆ **Intermittent Liquid Temp.:** Up to 140°F (60°C)
- ◆ **Motor/Electrical Data:** 1/2 HP, 115V; 1Ø, 60Hz, permanent split capacitor type; 1/2, 3/4, 1 HP, 230V, 1Ø, 60 Hz, permanent split capacitor type; 208/230/460/575V, 3Ø, 60Hz
- ◆ **Acceptable pH Range:** 5-9
- ◆ **Discharge NPT:** 2"; 3"
- ◆ **Housing:** Cast iron
- ◆ **Power Cord:** WHR-SJOW/SJOW-A 20', 16/3, 1Ø; 20', 16/4, 3Ø; WHR-DS - 20', 14/4, 1Ø; 20', 14/3, 1Ø, L/D; 20', 16/4, 3Ø, L/D
- ◆ **Impeller:** Cast iron, vortex
- ◆ **Volute Case:** Cast iron
- ◆ **Shaft Seal:** Single type 21, carbon/ceramic, double tandem carbon/ceramic
- ◆ **Minimum Sump Diameter:** Simplex: 24" (61 cm); Duplex: 30" (76 cm)

SEWAGE PUMPS WHR SERIES

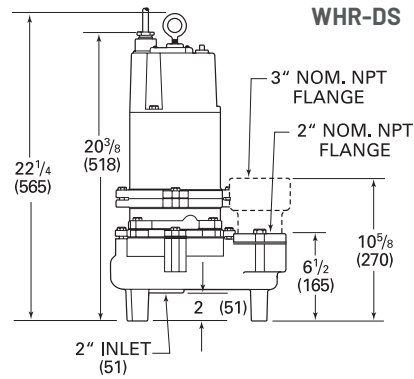
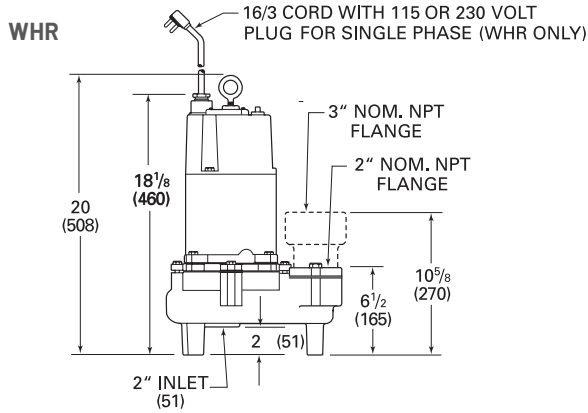
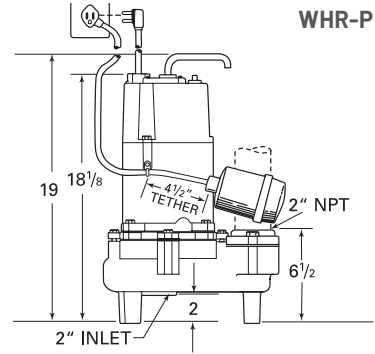
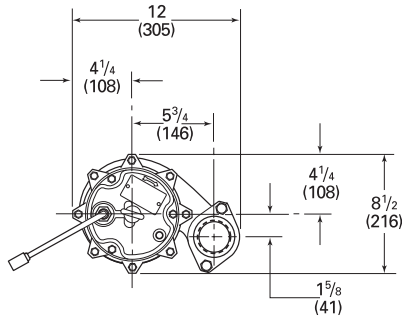
ORDERING INFORMATION

CATALOG NUMBER	ENGINEERING #	HP	VOLTS	PHASE	DISCHARGE NPT	SWITCH TYPE	APPROX. CORD LENGTH	WT. LBS
WHR SERIES (Single Seal)								
WHR5-11C	21639D001	1/2	115	1	2"	Manual	20'	75
WHR5-21C	21639D004	1/2	230	1	2"	Manual	20'	75
WHR5P-1*	21639D902	1/2	115	1	2"	Automatic*	20'	76
WHR5P-2*	21639D903	1/2	230	1	2"	Automatic*	20'	76
WHR5-03	21646D000	1/2	200	3	2"	Manual	20'	75
WHR5-23	21646D001	1/2	230	3	2"	Manual	20'	75
WHR5-43	21646D002	1/2	460	3	2"	Manual	20'	75
WHR5-53	21646D003	1/2	575	3	2"	Manual	20'	75
WHR7-21C	21641D002	3/4	230	1	2"	Manual	20'	79
WHR7P-2*	21640D900	3/4	230	1	2"	Automatic*	20'	80
WHR7-03	21646D000	3/4	200	3	2"	Manual	20'	79
WHR7-23	21646D001	3/4	230	3	2"	Manual	20'	79
WHR7-43	21646D002	3/4	460	3	2"	Manual	20'	79
WHR7-53	21646D003	3/4	575	3	2"	Manual	20'	79
WHR10-21C	21641D002	1	230	1	2"	Manual	20'	85
WHR10P-2*	21641D900	1	230	1	2"	Automatic*	20'	86
WHR10-03	21647D000	1	200	3	2"	Manual	20'	85
WHR10-23	21647D001	1	230	3	2"	Manual	20'	85
WHR10-43	21647D002	1	460	3	2"	Manual	20'	85
WHR10-53	21647D003	1	575	3	2"	Manual	20'	85

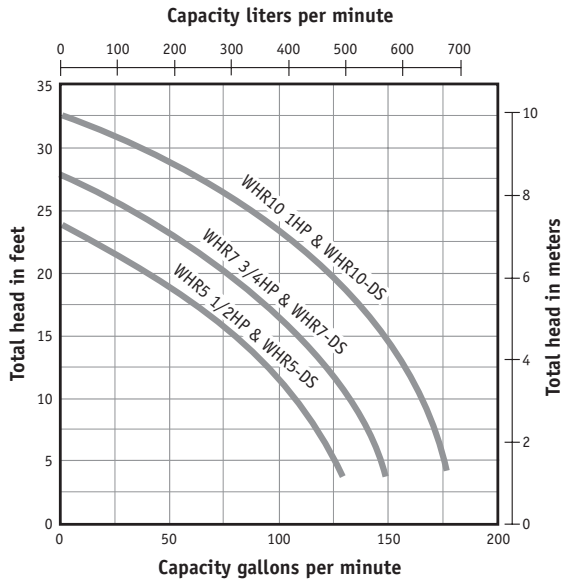
CATALOG NUMBER	ENGINEERING #	HP	VOLTS	PHASE	WIRE SIZE	DISCHARGE NPT	SWITCH TYPE	CORD LENGTH	APPROX. WT. LBS
WHR SERIES (Double Seal)									
WHR5-11-DS	21639D020	1/2	115	1	14/4	2"	Manual	20'	80
WHR5-01-DS	21639D021	1/2	208	1	14/4	2"	Manual	20'	80
WHR5-21-DS	21639D022	1/2	230	1	14/4	2"	Manual	20'	80
WHR5-11-DS-L/D	21639D023	1/2	115	1	16/3	2"	Manual	20'	80
WHR5-21-DS-L/D	21639D024	1/2	230	1	16/4	2"	Manual	20'	80
WHR5-03-DS-L/D	21639D025	1/2	208	3	16/4	2"	Manual	20'	80
WHR5-23-DS-L/D	21645D020	1/2	230	3	16/4	2"	Manual	20'	80
WHR5-43-DS-L/D	21645D021	1/2	460	3	16/4	2"	Manual	20'	80
WHR5-53-DS-L/D	21645D022	1/2	575	3	16/4	2"	Manual	20'	80
WHR7-21-DS-L/D	21640D021	3/4	230	1	16/3	2"	Manual	20'	85
WHR7-43-DS-L/D	21646D022	3/4	460	3	16/4	2"	Manual	20'	85
WHR7-53-DS-L/D	21646D023	3/4	575	3	16/4	2"	Manual	20'	85
WHR10-21-DS	21641D020	1	230	1	14/4	2"	Manual	20'	90
WHR10-21-DS-L/D	21641D021	1	230	1	16/3	2"	Manual	20'	90
WHR10-03-DS-L/D	21647D020	1	208	3	18/4	2"	Manual	20'	90
WHR10-43-DS-L/D	21647D022	1	460	3	18/4	2"	Manual	20'	90
WHR10-53-DS-L/D	21647D023	1	575	3	18/4	2"	Manual	20'	90

SEWAGE PUMPS WHR SERIES

DIMENSIONAL DATA



PUMP PERFORMANCE



PUMP DATA - FULL LOAD AMP

SINGLE SEAL	DUAL SEAL	FLA
WHR5-11	WHR5-11-DS	10.5
WHR5-01	WHR5-01-DS	8
WHR5-21	WHR5-21-DS	5.25
WHR5-03	WHR5-03-DS	3.6
WHR5-23	WHR5-23-DS	3.2
WHR5-43	WHR5-43-DS	1.6
WHR5-43	WHR5-43-DS	1.3
WHR7-01	WHR7-01-DS	7
WHR7-21	WHR7-21-DS	7
WHR7-03	WHR7-03-DS	5.1
WHR7-23	WHR7-23-DS	4.1
WHR7-43	WHR7-43-DS	2
WHR7-53	WHR7-53-DS	1.6
WHR10-01	--	10.8
WHR10-21	WHR10-21-DS	9.4
WHR10-03	--	6
WHR10-23	WHR10-23-DS	5.2
WHR10-43	WHR10-43-DS	2.6
WHR10-53	WHR10-53-DS	2.4



293 Wright St
Delavan, WI 53115
Ph: 888.987.8677
Fx: 800.426.9446

490 Pinebush Rd, Unit 4
Cambridge, Ontario N1T 0A5, Canada
Ph: 800.363.7867
Fx: 888.606.5484

pentair.com

All indicated Pentair trademarks and logos are property of Pentair. Third party registered and unregistered trademarks and logos are the property of their respective owners. Because we are continuously improving our products and services, Pentair reserves the right to change specifications without prior notice. Pentair is an equal opportunity employer.

©2023 Pentair. All Rights Reserved.

M9033SSE (08-01-23)