

MYERS® SX SERIES SUBMERSIBLE SUMP PUMPS FOR HAZARDOUS ENVIRONMENTS

Classified as Class 1, Division 1, Group D

**NOW AVAILABLE IN 1/2 HP, 1-1/2 HP
AND 2 HP CONFIGURATIONS**

**RECESSED IMPELLER HANDLES
SLURRY WITHOUT BINDING**

**SEAL LEAK PROBES REDUCE
COSTLY MAINTENANCE**

HEAT SENSOR EXTENDS PUMP LIFE



MYERS® SX SERIES SUBMERSIBLE SUMP PUMPS

Designed To Pump Contaminated Water
in Hazardous Environments

The Myers SX Series are heavy-duty cast iron submersible sump pumps engineered for commercial and industrial dewatering applications in hazardous environments.. These pumps are designed to reduce the risk of vapor igniting the pump in hazardous environments classified as Class 1, Division 1, Group D.



Recessed Impeller Handles Slurry Without Binding

Ductile iron recessed impeller provides unobstructed flow and great return on investment with less downtime.

Seal Leak Probes Reduce Costly Maintenance

Alert customers ahead of time by detecting water in seal housing and activating a warning at the control panel.

Heat Sensor Extends Pump Life

Protecting the motor from burning out due to excessive heat from overload conditions.

Product Capabilities

Capacities To	SX50 SX50H SX150H SX200H	95 gpm 74 gpm 69 gpm 78 gpm	359.6 lpm 280.1 lpm 261.2 lpm 295.3 lpm
Heads To	SX50 SX50H SX150H SX200H	26 ft. 35 ft. 62 ft. 70 ft.	7.925 m 10.67 m 18.90 m 21.34 m
Solids Handling	SX50 SX50H/SX150H/SX200H	2 in. 3/4 in.	50 mm 19 mm
Liquids Handling		Water Runoff, Effluent, Storm Water	
Intermittent Liquid Temp.		up to 140° F	up to 60° C
Winding Insulation Temp. (Class B)		266° F	130° C
Motor Electrical Data (Single phase motors are capacitor start type. Myers control panels or capacitor kits are recommended for proper operation and warranty.)	1/2 HP 1-1/2 HP 2 HP	1750 rpm 1Ø – capacitor start, 208V/230V; 60 Hz 3Ø – 208/230/460/575V 3450 rpm 1Ø – Start/Run Cap, 208V/230V; 60 Hz 3Ø – 208/230/460/575V 3450 rpm 1Ø – Start/Run Cap, 208V/230V; 60 Hz 3Ø – 208/230/460/575V	
Std. Third Party Approvals		CSA	
Specific Gravity		.9 – 1.1	
Viscosity		28 – 35 SSU	
Discharge, NPT	SX50 SX50H, SX150H, SX200H	2 in. 1-1/2 in.	50 mm 38.1 mm
Min. Sump Dia.	(Simplex) (Duplex)	24 in. 36 in.	61.0 cm 91.4 cm

Construction Materials

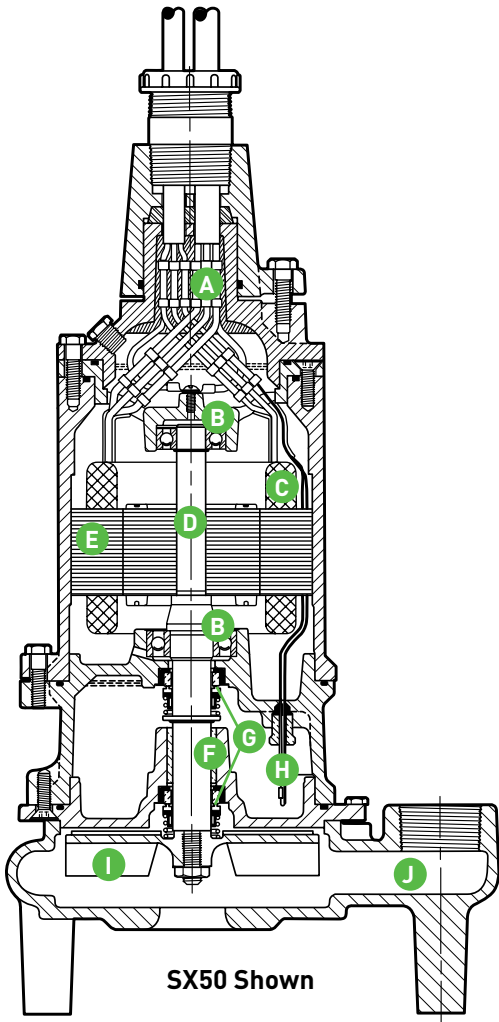
Motor Housing, Seal Housing, Cord Cap and Volute Case		Cast iron, Class 30, ASTM A48
Impeller		Recessed, cast iron, Class 20, A48
Power Cord		14/4 SOOW
Control Cord		18/5 SOOW
Mechanical Seals	Standard Optional	Double tandem carbon & ceramic lower tungsten carbide
Pump, Motor Shaft		416 SST
Fasteners		300 Series SST

Note: Consult factory for applications outside these recommendations.

To meet Class 1, Division 1 Groups D, F-M requires explosion-proof sump pumps be connected to a control panel meeting UL 698A specifications.



PUMP FEATURES AND APPLICATIONS



A. Cable Entry System

Provides double seal protection. Cable jacket sealed by compression grommet. Individual wires sealed by epoxy potting.

B. Ball Bearings

Upper and lower ball bearings support shaft and rotor and reduce axial and radial loads.

C. Heat Sensor

Protects motor from burn-out due to excessive heat from any overload condition. Automatically resets when motor has cooled.

D. Heavy 416 SST Shaft

Corrosion resistant. Reduces shaft deflection due to grinding loads.

E. Stator

Press fit for perfect alignment and best heat transfer. Oil-filled motor conducts heat and lubricates bearings.

F. Sleeve Bearing

Takes radial load; provides flame path.

G. Shaft Seals

Double tandem mechanical shaft seals protect motor. Oil-

filled seal chamber provides continuous lubrication.

H. Seal Leak Probes

Provides advance notification of seal leak allowing preventative maintenance before motor damage

I. Impeller

Ductile iron recessed impeller handles ground slurry without clogging or binding. Provides unobstructed flow passage. Reduces radial loads. Pump-out vanes help keep trash from seal, reduces pressure at seal faces.

J. Volute Case

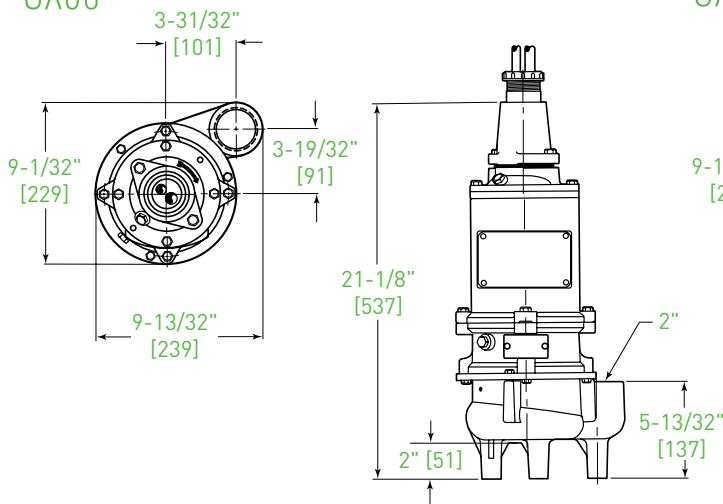
Cast iron 1½" – 2" vertical discharge.

Applications include:

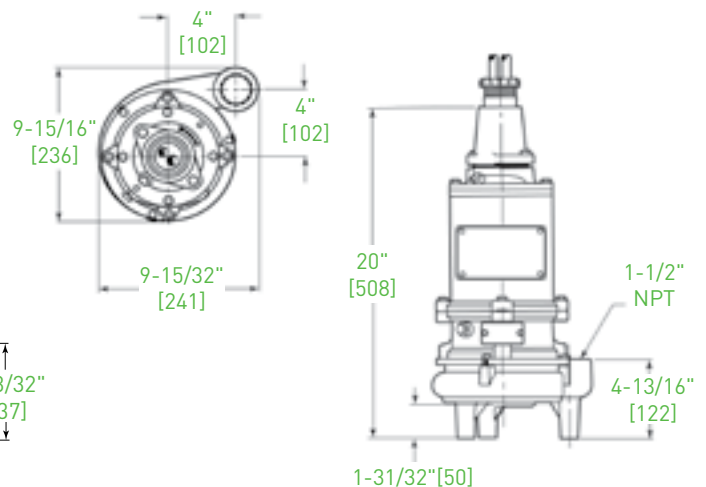
- Service stations
- "Quick-lube" stations
- Car/truck washes
- Truck docks
- Military base

DIMENSIONS

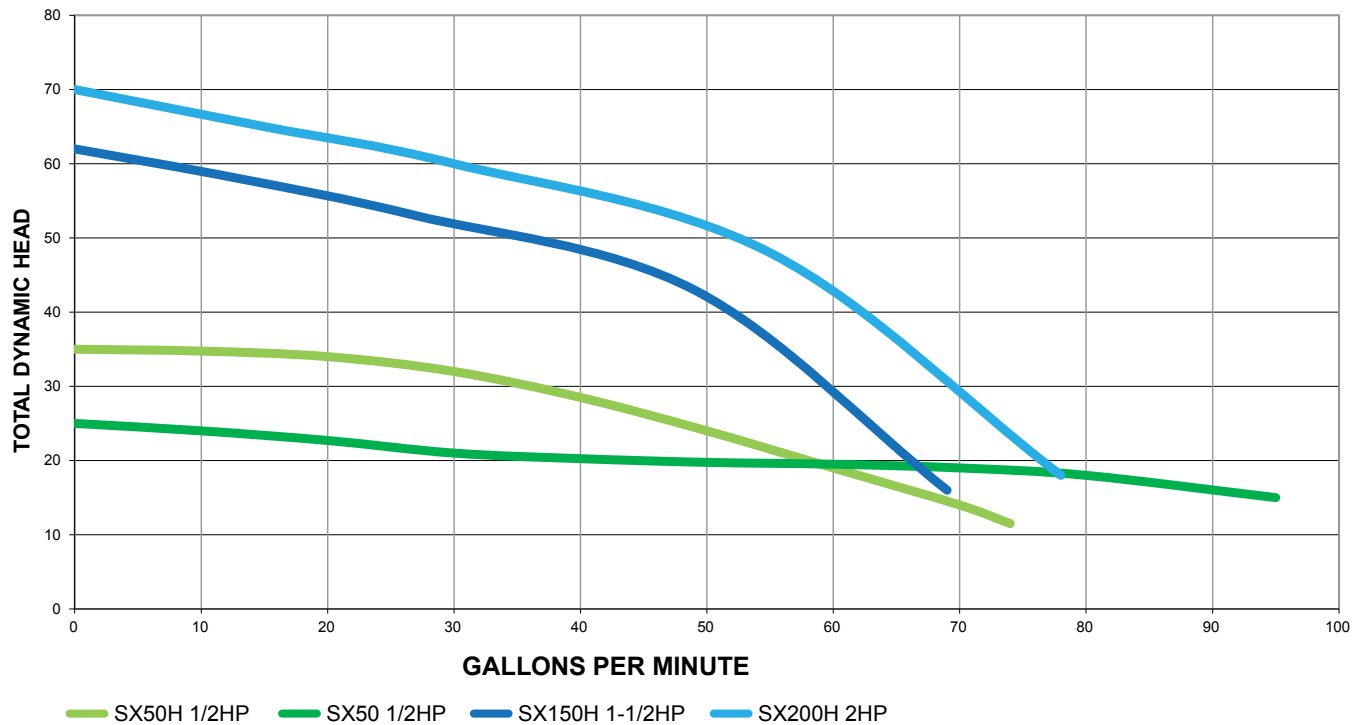
SX50



SX50H, SX50H, SX150H, SX200H



PERFORMANCE DATA



Motor Electrical Data									
Available Models	HP	Volts	Phase	Hertz	Full Load Amps	Service Factor	NEC Code Letter	Start Amps	Start KW
SX50-01	1/2HP	208	1	60	4.5	1.2	F	13.4	2.3
SX50-21	1/2HP	230	1	60	4.9	1.2	H	14.9	2.6
SX50-03	1/2HP	208	3	60	3.6	1.2	M	14.8	4
SX50-23	1/2HP	230	3	60	3.2	1.2	M	12.6	3.9
SX50-43	1/2HP	460	3	60	1.6	1.2	M	6.3	3.9
SX50-53	1/2HP	575	3	60	1.3	1.2	M	5.1	4
SX50H-01	1/2HP	208	1	60	4.5	1.2	F	13.4	2.3
SX50H-21	1/2HP	230	1	60	4.9	1.2	H	14.9	2.6
SX50H-03	1/2HP	208	3	60	3.6	1.2	M	14.8	4
SX50H-23	1/2HP	230	3	60	3.2	1.2	M	12.6	3.9
SX50H-43	1/2HP	460	3	60	1.6	1.2	M	6.3	3.9
SX50H-53	1/2HP	575	3	60	1.3	1.2	M	5.1	4
SX150H-01	1-1/2HP	208	1	60	12	1.25	G	54.0	11.2
SX150H-21	1-1/2HP	230	1	60	9.5	1.25	F	45.0	10.4
SX150H-03	1-1/2HP	208	3	60	6.7	1.25	G	33.0	11.9
SX150H-23	1-1/2HP	230	3	60	5.4	1.25	G	30.8	12.3
SX150H-43	1-1/2HP	460	3	60	2.2	1.25	G	15.4	12.3
SX150H-53	1-1/2HP	575	3	60	1.4	1.25	J	15.7	15.6
SX200H-01	2HP	208	1	60	15.0	1.25	G	54.0	11.2
SX200H-21	2HP	230	1	60	12.5	1.25	F	45.0	10.4
SX200H-03	2HP	208	3	60	9.7	1.25	G	33.0	11.9
SX200H-23	2HP	230	3	60	8.4	1.25	G	30.0	12.3
SX200H-43	2HP	460	3	60	4.2	1.25	G	15.4	15.6
SX200H-53	2HP	575	3	60	3.4	1.25	J	15.4	4



1101 MYERS PARKWAY, ASHLAND, OHIO 44805
WWW.FEMYERS.COM

490 PINEBUSH ROAD, UNIT 4
CAMBRIDGE, ONTARIO N1T 0A5

Because we are continuously improving our products and services, Pentair reserves the right to change specifications without prior notice.
© 2016 Pentair plc. All Rights Reserved.

K4017 (11/22/16)