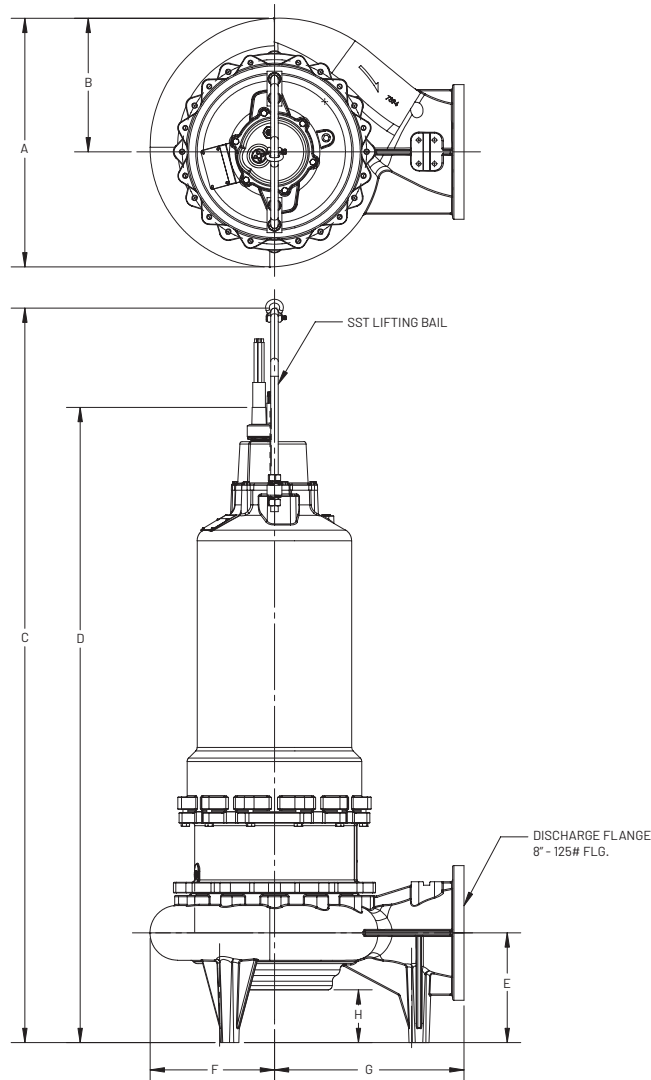


# SUBMERSIBLE SOLIDS HANDLING PUMPS

8SM(X)P FRAME SIZE: 320



MODEL	A	B	C	D	E	F	G	H
8SM(X)P	24-15/16	13-7/16	73-5/8	63-3/4	11	12-1/2	19	5-3/16

All measurements in inches.

NOTE: CASTING DIMENSIONS MAY VARY ± 1/8"

1101 Myers Parkway  
Ashland, OH 44805  
Ph: 855.274.8947  
Fx: 800.426.9446

490 Pinebush Rd., Unit 4  
Cambridge, Ontario N1T 0A5, Canada  
Ph: 800.363.7867  
Fx: 888.606.5484

[pentair.com](http://pentair.com)