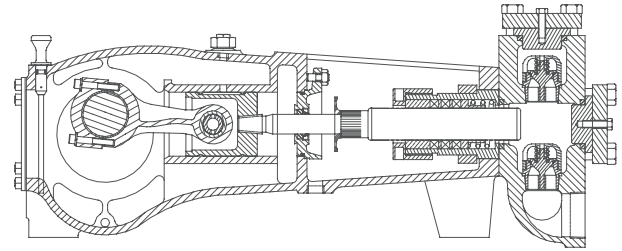


APLEX SERIES QUINTUPLEX PLUNGER PUMP

SC-115 (H)(L)



INTERMITTENT DUTY ONLY

NO. OF PLUNGERS	3
MAXIMUM RATED SPEED	550 RPM
STROKE LENGTH	2.75 in.(69.85 mm)
MAXIMUM RATED POWER	154 hp (114.7 kW)
MAXIMUM ROD LOAD	7216 lbs(32.04 KN)
WEIGHT SC-115, SC-115H, SC-115L	1240 lbs., 1325 lbs., 1520 lbs.

ENGLISH UNITS SC-115

PLUNGER SIZE IN.	STUFFING BOX BORE IN.	MAX PSI"	*GALLON PER/ REV.	350 RPM US GPM	400 RPM US GPM	450 RPM US GPM	500 RPM US GPM	550 RPM US GPM
2.250	2.875	1815	0.237	82.8	94.7	106.5	118.3	130.2
2.125	2.875	2035	0.211	73.9	84.4	95.0	105.6	116.1
2.000	2.875	2297	0.187	65.5	74.8	84.2	93.5	102.8
1.875	2.875	2613	0.164	57.5	65.7	74.0	82.2	90.4
1.750	2.875	3000	0.143	50.1	57.3	64.4	71.6	78.7
hp REQUIRED @ RPM				97.5	111.4	125.4	139.3	154.0

ENGLISH UNITS SC-115H

PLUNGER SIZE IN.	STUFFING BOX BORE IN.	MAX PSI"	*GALLON PER/ REV.	350 RPM US GPM	400 RPM US GPM	450 RPM US GPM	500 RPM US GPM	550 RPM US GPM
1.625	2.500	3479	0.1234	24.7	37.0	49.4	61.7	67.9
1.500	2.500	4083	0.1052	21.0	31.6	42.1	52.6	57.9
1.375	2.250	4858	0.0884	17.7	26.5	35.4	44.2	48.6
1.250	2.250	5878	0.0730	14.6	21.9	29.2	36.5	40.2
"EQUIRED @ RPM"				55.7	83.6	111.4	139.3	154.0

ENGLISH UNITS SC-115L

PLUNGER SIZE IN.	STUFFING BOX BORE IN.	MAX PSI"	*GALLON PER/ REV.	350 RPM US GPM	400 RPM US GPM	450 RPM US GPM	500 RPM US GPM	550 RPM US GPM
3.000	"PISTON"	1020	0.4208	84.2	105.2	147.3	189.3	231.4
2.750	3.500	1215	0.3535	70.7	88.4	123.7	159.1	194.5
2.625	3.500	1333	0.3221	64.4	80.5	112.7	145.0	177.2
2.500	3.250	1470	0.2922	58.4	73.0	102.3	131.5	160.7
2.375	3.250	1629	0.2637	52.7	65.9	92.3	118.7	145.0
2.250	2.875	1815	0.2367	47.3	59.2	82.8	106.5	130.2
"hp REQUIRED @ RPM"				55.7	69.6	97.4	125.2	154.0

MYERS APLEX SERIES SC-115 (H)(L) QUINTUPLEX PLUNGER PUMP

METRIC UNITS SC-115

PLUNGER SIZE MM	STUFFING BOX BORE MM	MAX PRESS. BAR	*LITER PER/ REV.	350 RPM LPM	400 RPM LPM	450 RPM LPM	500 RPM LPM	550 RPM LPM
57.2	73.0	125.1	0.896	313.6	358.4	403.2	448.0	492.8
54.0	73.0	140.3	0.799	279.7	319.6	359.6	399.6	439.5
50.8	73.0	158.4	0.708	247.8	283.2	318.6	353.9	389.3
47.6	73.0	180.2	0.622	217.8	248.9	280.0	311.1	342.3
44.5	73.0	206.8	0.542	189.7	216.8	243.9	271.1	298.2
kW Required @ RPM				72.7	83.1	93.5	103.9	114.8

METRIC UNITS SC-115H

PLUNGER SIZE MM	STUFFING BOX BORE MM	MAX PRESS. BAR	*LITER PER/ REV.	350 RPM LPM	400 RPM LPM	450 RPM LPM	500 RPM LPM	550 RPM LPM
41.3	63.5	239.9	0.4671	93.4	140.1	186.8	233.6	256.9
38.1	63.5	281.6	0.3982	79.6	119.5	159.3	199.1	219.0
34.9	57.1	335.0	0.3346	66.9	100.4	133.8	167.3	184.0
31.7	57.1	405.4	0.2763	55.3	82.9	110.5	138.2	152.0
kW REQUIRED @ RPM				41.5	62.3	83.1	103.9	114.8

METRIC UNITS SC-115L

PLUNGER SIZE MM	STUFFING BOX BORE MM	MAX PRESS. BAR	*LITER PER/ REV.	350 RPM LPM	400 RPM LPM	450 RPM LPM	500 RPM LPM	550 RPM LPM
76.2	"PISTON"	70.3	1.5929	318.6	398.2	557.5	716.8	876.1
69.9	88.9	83.8	1.3381	267.6	334.5	468.3	602.1	736.0
66.7	88.9	91.9	1.2193	243.9	304.8	426.8	548.7	670.6
63.5	82.6	101.4	1.1061	221.2	276.5	387.1	497.7	608.4
60.3	82.6	112.3	0.9982	199.6	249.6	349.4	449.2	549.0
57.2	73.0	125.1	0.8960	179.2	224.0	313.6	403.2	492.8
kW REQUIRED @ RPM				41.5	51.9	72.6	93.4	114.8

*Displacement based on 100% Volumetric Efficiency

$$I_{hp} = \frac{USGPM \times (\text{Discharge psig} - 1/2 \text{ Suction psig})}{1542}$$

$$PUMP \text{ RPM} = \frac{USGPM \text{ Desired}}{USGPM \text{ per Revolution of Selected Plunger}}$$

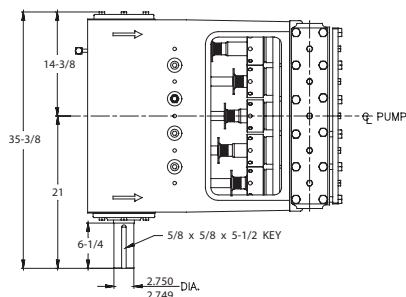
Power based on 90% Mechanical Efficiency

$$I_{kW} = \frac{M^3/HR \times (\text{Discharge Bar} - 1/2 \text{ Suction Bar})}{32.4}$$

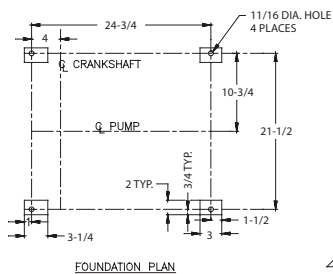
$$PUMP \text{ RPM} = \frac{M^3/HR \text{ Desired}}{M^3 \text{ per Revolution of Selected Plunger}}$$

SC-115 SERIES QUINTUPLEX PUMP

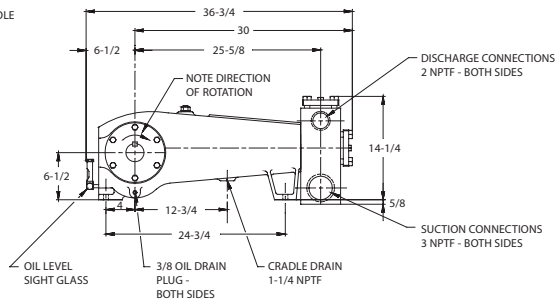
SC-115



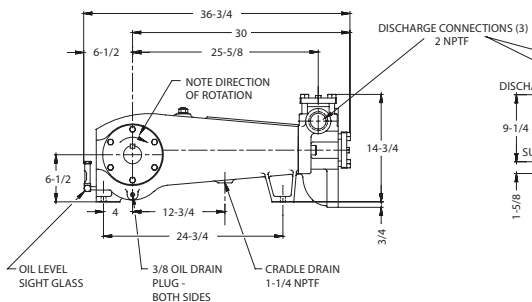
SC-115 SERIES



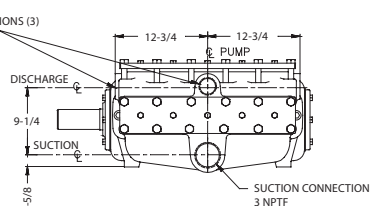
SC-115



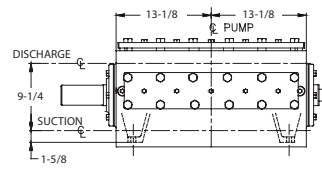
SC-115



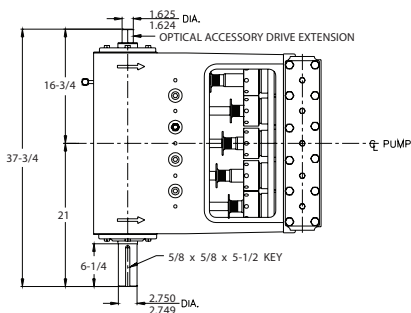
SC-115



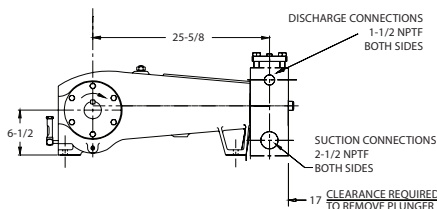
SC-115



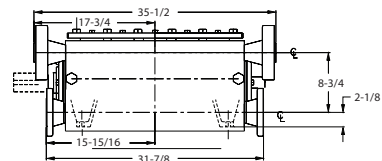
SC-115H



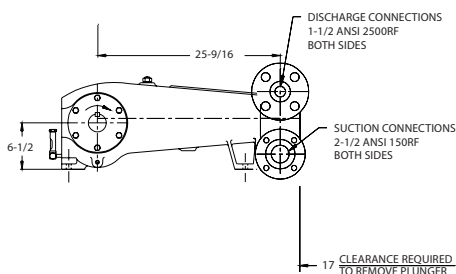
SC-115H



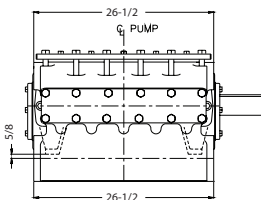
SC-115H



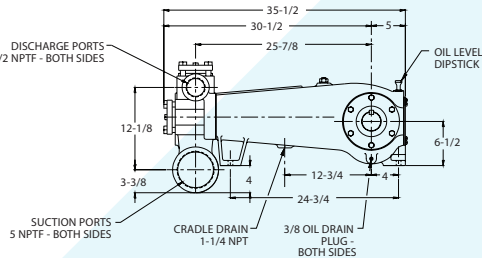
SC-115H



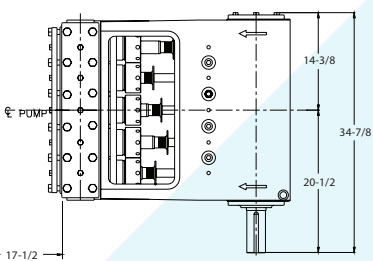
SC-115L



SC-115L



SC-115L



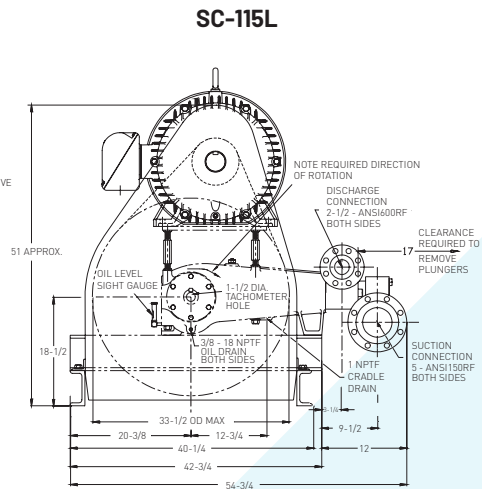
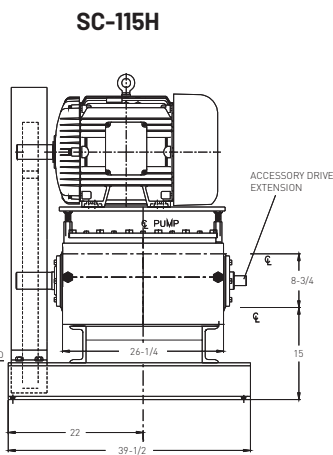
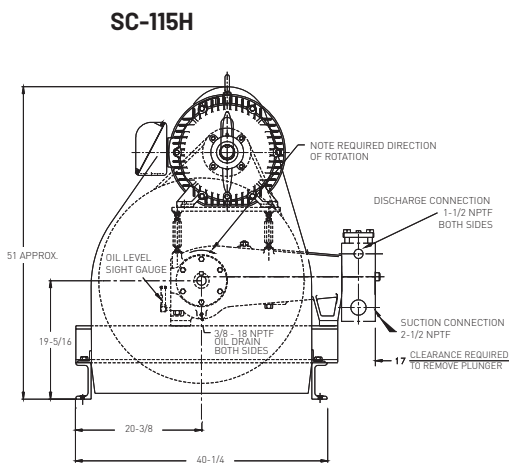
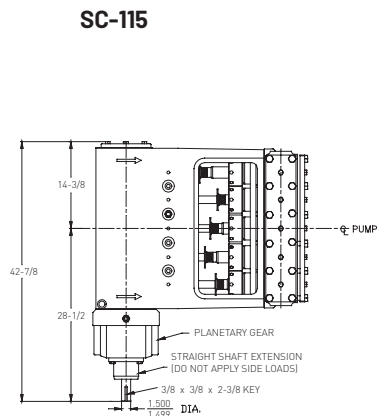
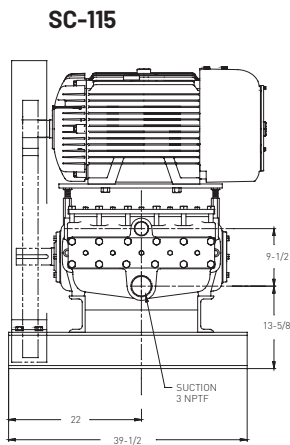
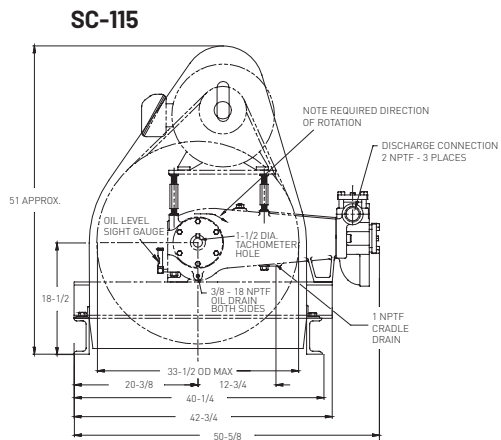
ENGINEERING DATA SC-115, SC-115L, SC-115H QUINTUPLEX PUMP

Max. Input Power @ Speed	154 HP @ 550 RPM
Rated Plunger Load	7,216 lbs.
Minimum Speed	100 RPM
Oil Capacity	15 U.S. Qts.
Power End Oiling System	Splash & Scoop
Power Frame, One-Piece	Cast Iron
Crosshead, Full Cylindrical	Cast Iron
Crosshead, Dia. x Length	4 x 4 1/2 in.
Crankshaft	Ductile Iron
Crankshaft Diameters:	
At Tapered Roller Bearings	3.35 in.
At Crankpin Bearings, Dia. x Length	2 3/4 x 2 in.
Crosshead (Wrist) Pin, Case-Hardened and Ground	AISI 8620
Wrist Pin Bushing, SAE 660, dia. x width	15/16 x 2 in _g
Main Bearings, Tapered Roller	Timken
Center Bearings, Two Precision Steel Backed	Babbitt Lined
Crankpin Bearings, Precision Automotive	Steel Backed, Babbitt-Lined
Extension (Pony) Rod Integral w/ Plungers	316 S.ST.
Connecting Rod, Automotive Type	Ductile Iron
Average Crosshead Speed @ 550 RPM	252 fpm
Minimum Life Expectancy, Main Bearings, L ₁₀ SC	40,000+ hr.

LIQUID END ENGINEERING DATA

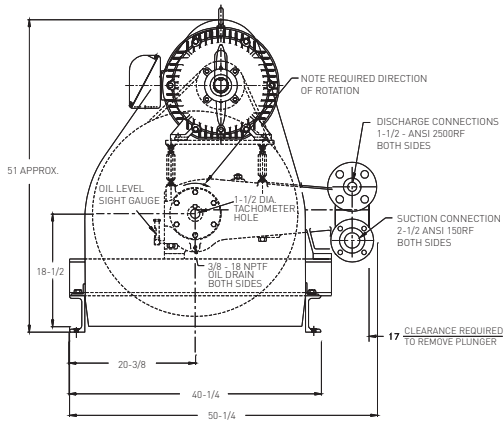
Max. Continuous Working Pressure SC-115	3,000 psi
Max. Continuous Working Pressure SC-115H	6,500 psi
Max. Continuous Working Pressure SC-115L	1,815 psi
Hydrostatic Test SC-115	4,500 psi
Hydrostatic Test SC-115H	9,750 psi
Hydrostatic Test SC-115L	2,700 psi
Liquid End Materials, A.S.T.M.	
Ductile Iron SC-115(L)	A536 80-55-06
Nickel Aluminum Bronze	B148 C955
Carbon Steel	Various Grades
Stainless Steel	Various Grades
Plunger Type Rokide Stainless Steel, (Chromium Oxide-Coated)	Tungsten Carbide, Ceramic and other types also available
Stuffing Boxes, Field-Removable and Replaceable	Same as fluid end
Packing Types Available:	
Gland-Loaded, Non-Adjustable	Style 838
Spring-Loaded, Braided PTFE coating and Aramid Fiber	Style 0140, 0141, 8921K
Spring-Loaded, Cup-Type SC-115(H)	Style 120X
Piston Types Available: SC-115L	
Aramid Fiber and Nitrile	
Black Rubber	
Liner Types Available: SC-115L	
Ceramic (Solid White)	
Valve Cover and Cyl. Head Plugs	Depends on fluid end material
Retainer Plates, Ductile Iron	A536 80-55-06
Seals, Stuffing Boxes, Valve Covers	Nitrile
Valve Type Standard, Disc Style	17-4PH SST or Acetal
Abrasion Resistant	17-4PH S.ST. _g
Valve Spring Material	Inconel
Valve Seat, Liquid Passage Area SC-115 (Disc)	2.3 sq.in.
SC-115 (Abrasion Resistant)	1.35 sq.in.
SC-115L (Disc)	2.35 sq.in.
SC-115L (Abrasion Resistant)	1.82 sq.in.
Avg. Liquid Velocity @ 550 RPM	
thru Disc Valves SC-115	7.5 fps
thru Abrasion Resistant Valves SC-115	12.4 fps
thru Suction Manifold SC-115	5.9 fps
SC-115H	4.4 fps
SC-115L	3.8 fps
thru Discharge Manifold SC-115	13.3 fps
SC-115H	12.3 fps
SC-115L	15.1 fps

SC-115 QUINTUPLEX PUMP (MEASUREMENTS IN INCHES)

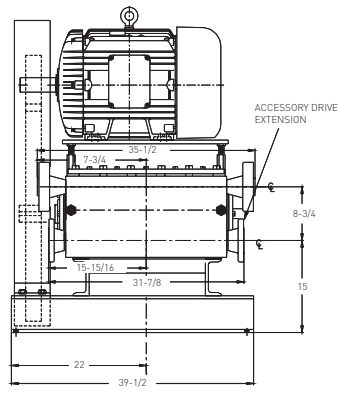


MYERS APLEX SERIES SC-115 (H)(L) QUINTUPLEX PLUNGER PUMP

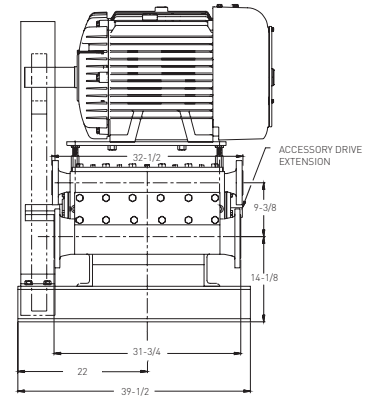
SC-115H



SC-115H



SC-115L



1101 MYERS PARKWAY,
ASHLAND, OH 44805
USA
Ph: 855-274-8948
Orders Fax: 888-606-5484

490 Pinebush Road, Unit 4
Cambridge, Ontario N1T 0A5
Canada
Ph: 800.363.7867
Orders Fax: 888-606-5484

pentair.com

All indicated Pentair trademarks and logos are property of Pentair. Third party registered and unregistered trademarks and logos are the property of their respective owners. Because we are continuously improving our products and services, Pentair reserves the right to change specifications without prior notice. Pentair is an equal opportunity employer.

Incone!® is a registered trademark of the Special Metals family of companies.

Timken® is a registered trademark of The Timken Company. Rokide® is a registered trademark of Saint-Gobain Abrasives, Inc.

©2021 Pentair. All Rights Reserved.

MA3011(10/01/2021)