

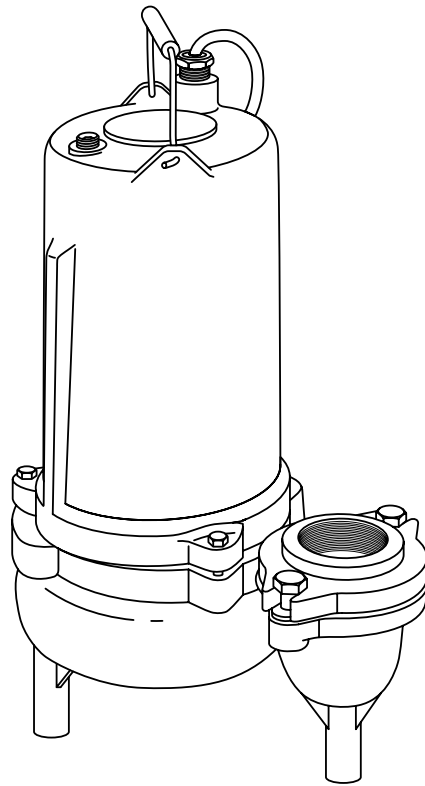


**HYDROMATIC®**

INSTALLATION AND  
OPERATOR'S MANUAL  
**SK60 Submersible  
Sewage Ejector Pump**

INSTALLATION ET MANUEL DE  
L'OPÉRATEUR

**Pompe submersible  
d'eaux d'egout SK60**



**Installation/Operation/Parts**

For further operating, installation, or maintenance assistance:

**Call 1-888-957-8677**

**English . . . . .Pages 2-10**

**Installation/Fonctionnement/Pièces**

Pour plus de renseignements concernant l'utilisation, l'installation ou l'entretien,

**Composer le 1 (888) 957-8677**

**Français . . . . .Pages 11-20**

Contents

**Important Safety Instructions . . . . .2**  
**Installation . . . . .3**  
**Operation . . . . .4**  
**Maintenance . . . . .4**  
     Replacing diaphragm switch . . . . . 4  
     Checking motor stator. . . . . 5  
     Ground check. . . . . 5  
     Oil fill. . . . .  
**Troubleshooting . . . . .7**  
**Repair Parts . . . . .8**  
**Warranty . . . . .9**  
**Product Specifications . . . . .10**

**Important Safety Instructions**

**SAVE THESE INSTRUCTIONS** - This manual contains important instructions that should be followed during installation, operation, and maintenance of the product. Save this manual for future reference.

**⚠** This is the safety alert symbol. When you see this symbol on your pump or in this manual, look for one of the following signal words and be alert to the potential for personal injury!

**⚠ DANGER** indicates a hazard which, if not avoided, *will* result in death or serious injury.

**⚠ WARNING** indicates a hazard which, if not avoided, *could* result in death or serious injury.

**⚠ CAUTION** indicates a hazard which, if not avoided, *could* result in minor or moderate injury.

**NOTICE** addresses practices not related to personal injury. The manufacturer cannot anticipate every possible circumstance that might involve a hazard. The warnings in this manual, and the tags and decals affixed to the unit are, therefore, not all-inclusive. If you use a procedure or operating technique that the manufacturer does not specifically recommend, you must satisfy yourself that it is safe for you and others. You must also make sure that the procedure or operating technique that you choose does not render the system unsafe.

Electrically powered sewage pumps normally give many years of trouble-free service when correctly installed, maintained, and used. However, unusual circumstances (interruption of power to the pump, large solids in the sump, flooding that exceeds the pump’s capacity, electrical or mechanical failure in the pump, etc.) may prevent your pump from functioning normally. To prevent possible damage, consult your dealer about installing a secondary sewage pump or a high water alarm. See *Troubleshooting* in this manual for information about

common sewage pump problems and remedies. For more information, see your retailer, call HYDROMATIC® customer service at 1-888-957-8677 or visit our web site at hydromatic.com.

**⚠ WARNING Hazardous voltage - risk of electrical shock.** Shock can cause serious injury or death. Failure to follow the warnings below can result in fatal electric shock.

**⚠ WARNING Burn Hazard.** Motors can operate at high temperatures. Do not touch an operating motor. To do so can cause personal injury.

**⚠ CAUTION Risk of flooding.** If a flexible discharge hose is used, pump may move around in sump when motor starts. If it moves far enough so that the switch hits the side of sump, the switch may stick and prevent the pump from starting. Make sure the pump is secured so it cannot move around in the sump.

**⚠ WARNING Hazardous pressure and gas - risk of explosion and personal injury.** Failure to follow the warnings that follow can result in personal injury.

1. If your basement has water or moisture on the floor, do not walk on the wet area until all the power has been turned off. If the shut-off box is in the basement, call the electric company or the hydro authority to shut off the service to the house, or call your local fire department for instructions. Do not handle the pump or pump motor with wet hands or when standing on wet or damp surfaces.2. Connect only to a properly grounded receptacle.
3. All wiring should be performed by a qualified electrician.
4. Protect the electrical cord from sharp objects, hot surfaces, oils, and chemicals. Observe the *Cord Lift Warning* shown below.

5. **Risk of explosion and hazardous gas.** Septic tank must be vented in accordance with local plumbing codes.  
Do not smoke or use sparkable electrical devices or flame in a septic (gaseous) or possible septic sump.  
If a septic sump condition exists and if entry into sump is necessary, then (1) provide proper safety precautions per OSHA requirements and (2) do not enter sump until these precautions are strictly adhered to.  
Do not install pump in location classified as hazardous per N.E.C., ANSI/NFPA 70- 2001.
6. Know the pump application, limitations and potential hazards.
7. Wear safety glasses at all times when working with the pump.
8. Keep the work area clean, uncluttered and properly lighted - secure all unused tools and equipment.
9. Keep visitors at a safe distance from working area.
10. Make the workshop child-proof - with padlocks, master switches, and by removing starter keys.
11. Release all pressure within the system before servicing any component.
12. Provide a means of pressure relief for pumps whose discharge line can be shut-off or obstructed.
13. Periodically inspect the pump and system components. Perform routine maintenance as required.
14. Drain all the liquid from the system before servicing.

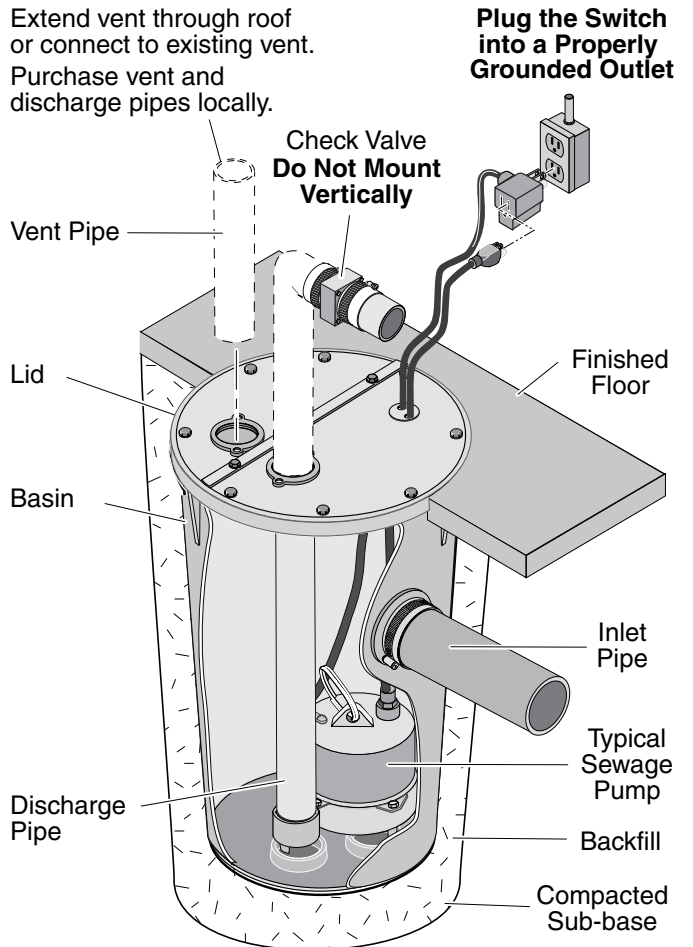
**California Proposition 65 Warning**

**⚠ WARNING** This product and related accessories contain chemicals known to the State of California to cause cancer, birth defects or other reproductive harm.

**Installation**

Thank you for purchasing this HYDROMATIC® pump. To help ensure years of trouble-free operation, please read the manual carefully.

Before installation, check your local electrical and plumbing codes. A typical sewage pump installation is shown below.



**Cord Lift Warning**

**⚠ WARNING**

**Risk of electrical shock. Can burn or kill. Do not lift pump by power cord.**

**Risk of electrical shock and fire.**

1. Attempting to lift or support the pump by the power cord can damage cord and cord connections, expose bare wires, and cause a fire or electrical shock.
2. Use handle on top of pump for all lifting or lowering of pump. Disconnect the power to the pump before doing any work on it or attempting to remove it from the pit.
3. Lifting or supporting the pump by the power cord will void the warranty.

**Follow these guidelines for installation:**

1. Provide properly sized sump (see *Specifications*).
2. Do not set pump directly on the bottom of sump pit if it is not solid. Raise the pump by using bricks or concrete blocks underneath it.
3. Make sure sump is free of string, cloth, nails, gravel, etc. before installing pump.
4. Do not remove ground pin from electrical plug.
5. Do not use an extension cord to operate this pump.
6. For proper automatic operation, make sure the pump power cord is plugged into the piggyback receptacle on the switch cord. Three phase models must be properly connected to a suitable control panel.  
Do not cut, crimp, or bend single phase switch power cord (15). The vent tube needs to “breathe” for proper operation of switch. This may cause pump failure and void warranty.
7. Use steel or plastic pipe for all connecting lines between pump and sewer outlet.  
**NOTICE:** Some city regulations do not allow installing a pump with plastic pipe. Check local regulations.
8. Use PTFE pipe thread sealant tape on pipe connections. Do not use ordinary pipe joint compound on plastic pipe or pump. Pipe joint compound can attack plastics and damage pump.
9. In applications where the pump may sit idle for months at a time, it is recommended that the pump(s) be cycled every month to ensure the pumping system is working properly when needed.
10. A check valve should be installed horizontally in discharge pipe.
11. The optional Hydromatic Q Alert is an audible alarm system for high water conditions. It should be installed in every sump for greater protection.  
**NOTICE:** Q Alert is for indoor use only. Other Q Alarm and control panels are available for outdoor use. Contact your HYDROMATIC distributor for applications.
12. Use pump partially or completely submerged for pumping waterlike liquids. The pump will pump solid materials up to 2” (spherical) in diameter.  
**▲ CAUTION Risk of fire.** Do not pump flammable liquids. Strong chemicals or salt water should not be pumped without consulting your HYDROMATIC distributor for proper seals and coatings.

**Operation**

**NOTICE:** Do not allow pump to run in a dry sump. Doing so will void the warranty and may damage the pump.

An automatic overload protector in the motor will protect the motor from burning out due to overheating/overloading. When the motor cools down, the overload protector will automatically reset.

If overload trips frequently, check for the cause. It could be a stuck impeller, wrong/low voltage, or electrical failure in motor. If an electrical failure in the motor is suspected, have it serviced by a competent repairman.

**Maintenance**

Read the following instructions carefully before replacing any parts. Reasonable care and safe methods should be practiced. Check local codes and requirements before installation. Only a competent plumber/electrician should make the installations.

Submerge pump in a disinfectant solution (dilute chlorine bleach) for at least one hour before disassembling pump.

Check for an obstruction in the impeller by looking through the suction hole of the pump. The shaft should turn freely if unobstructed. Keep fingers, clothing or any material from suction inlet.

**The steps described in this section should be performed only by an authorized service center.**

**NOTICE:** Read all directions before replacing any parts. Remove pump and switch from power source before servicing.

The numbers in parentheses, such as “(3)” or “(16)”, refer to item numbers used on the *Repair Parts* diagram.

**Replacing diaphragm switch**

From switch housing (15) remove screw (14) from housing. Replace with new switch. Insert screw (14) into housing (15) and tighten. Plug pump power cord into the piggyback receptacle on the switch cord, and then switch plug into correct power source.

**Checking motor operation**

Plug power cord directly in power source to check motor operation. Motor should start and run smoothly. If motor does not start, pump must be dismantled and motor checked. Be certain to unplug cord before disconnecting any wires.

### Checking motor stator

Remove plug (21) from top of housing (19) and pour oil into a clean glass container. There are approximately two quarts of oil in the motor housing. If oil is clear, it will indicate motor is not burned and there has been no water leak into the motor. If oil is black, it will indicate a burned stator. If oil is cloudy, it will indicate water in motor oil, so all seals should be replaced.

Remove bolts (17) to separate volute case (12) from motor housing. Remove O-ring (18) and seal plate (11) from motor housing. Remove bolts to separate motor-stator from rotor. If stator is visibly burned, it must be replaced. If stator is not burned but the oil shows signs of water, stator can be checked with the ohmmeter to see if it can be used.

### Ground check

Set ohmmeter scale to R X 1 scale and check meter by putting both meter leads together and adjusting the needle knob until meter reads zero. If meter cannot be adjusted to zero, the batteries in meter must be replaced.

**NOTICE:** Always reset meter to zero [0] when going to a new scale before making any measurements.

If wire is OK, meter needle will go to near zero and stay there. If meter needle does not move, the wire has an open and the wire must be repaired or replaced.

Connect one meter lead to one blade terminal of stator and touch other meter lead to motor stator housing (4). If the resistance to the ground is less than 500,000 ohms, stator must be dried out before retesting. To dry out, place pump in 220 degree oven for four hours. Recheck after motor cools.

If motor is thoroughly dry, needle of ohmmeter will not move on the ground check. This indicates a reading of 50 megohms or higher. When making the ground check, if the needle goes to zero, the motor has a wire touching the stator shell at some place and the stator will have to be replaced.

**NOTICE:** If motor shows a satisfactory ground check then the winding resistance must be checked.

### Winding resistance test

Use ohmmeter with scale set to R X 1 scale. On this scale, meter reads directly in ohms. Recheck to zero [0] before making a reading on the winding.

**NOTICE:** If water is found in motor, seal should be replaced.

### Replacing seal

Hold rotor. On 3 phase motors only, remove the impeller screw and impeller washer. Unscrew impeller (13). Tap on end of shaft with plastic or rubber hammer. This will push the rotating seal (10) from shaft and also push lower bearing from seal plate. Clean seal plate (11) and motor housing (19) thoroughly. All sand and dirt must be removed. Remove stationary ceramic seat of seal (10) from seal plate. Push new ceramic seat into seal plate. Use O-ring Lube on rubber ring. Replace rotor in seal plate (11). Use care in putting shaft through ceramic seat to be sure it is not chipped. Inspect seal after shaft is in place. If seal has been chipped it must be replaced. Do not replace rotating part of seal until the balance of the pump is assembled.

### Bearings

When the pump rotor has been removed, check bearings before replacing. If bearings are rusted or rough when turned, they should be replaced. When installing a replacement bearing, press only on the inner face. If a press is not available, bearings can be tapped on, using a sleeve that bears only on the inner face.

**NOTICE:** Never pound on the outer face of the bearing as this will cause bearing damage.

### Reassembly

1. Push the new rotor shaft and ball bearing assembly into the seal plate. (Note that the replacement rotor must be of the same manufacture as the existing stator, or vice versa.) Reassemble the motor (4) to the seal plate (11) with the four long cap screws. Be sure to tighten down the bolts evenly and firmly to prevent cocking of the stator. An uneven assembly can cause the rotor to rub the motor causing the motor to short.
2. Press the new ceramic seal (10) in place with the rubber ring facing the impeller. This should have a thin oil (dielectric, same as in motor housing) coating.  
**NOTICE:** Ceramic must be kept clean. Any dirt will cause seal failure.
3. Start the impeller (13) on the shaft one to two turns; then, add a drop of <sup>2</sup>Loctite® #243 to the impeller threads and screw the impeller hand tight. The impeller will force the ceramic seal into position. The shaft should be free of dirt, grease, etc., or the Loctite® will not hold as designed. Replace impeller washer and impeller screw to the shaft on three phase models.

<sup>2</sup> Henkel Corporation, Germany

**NOTICE:** Loctite® overrun onto the seal or bearing will result in shaft seizure.

4. Remove the old seal ring (18) and stretch on new ring with O-ring lube.  
Do not roll the ring onto seal plate or water leakage into the motor housing will result.
5. Fasten the ground wire inside the motor housing and tuck wires up into the housing to prevent rubbing on the rotor; then assemble housing (19) to volute (12) with bolts (17).
6. Before filling the motor housing with oil, a seal leak test should be performed. Apply 7 to 8 pounds of air pressure in the 1/4" NPT tap (21) on the top of the motor cover and seal chamber.

**NOTICE** Too much pressure will damage the seal. Seal would have to be replaced.

Then submerge the pump in water and check for leaks. If a leak occurs, isolate where it is coming from and correct the problem by replacing the failed part.

HYDROMATIC pumps have a small air vent hole in the impeller cavity to let out trapped air. If this hole becomes plugged, pump may air lock. To break the air lock, use a small screwdriver to clear hole in the impeller cavity.

As a secondary precaution in installations of this type, an 1/8" hole should be drilled in the discharge pipe just above the volute. The check valve should be at least 12 inches above pump discharge and mounted horizontally. Do not put check valve directly into pump discharge opening.

**NOTICE:** In sumps where the pump is operating daily, air locking rarely occurs.

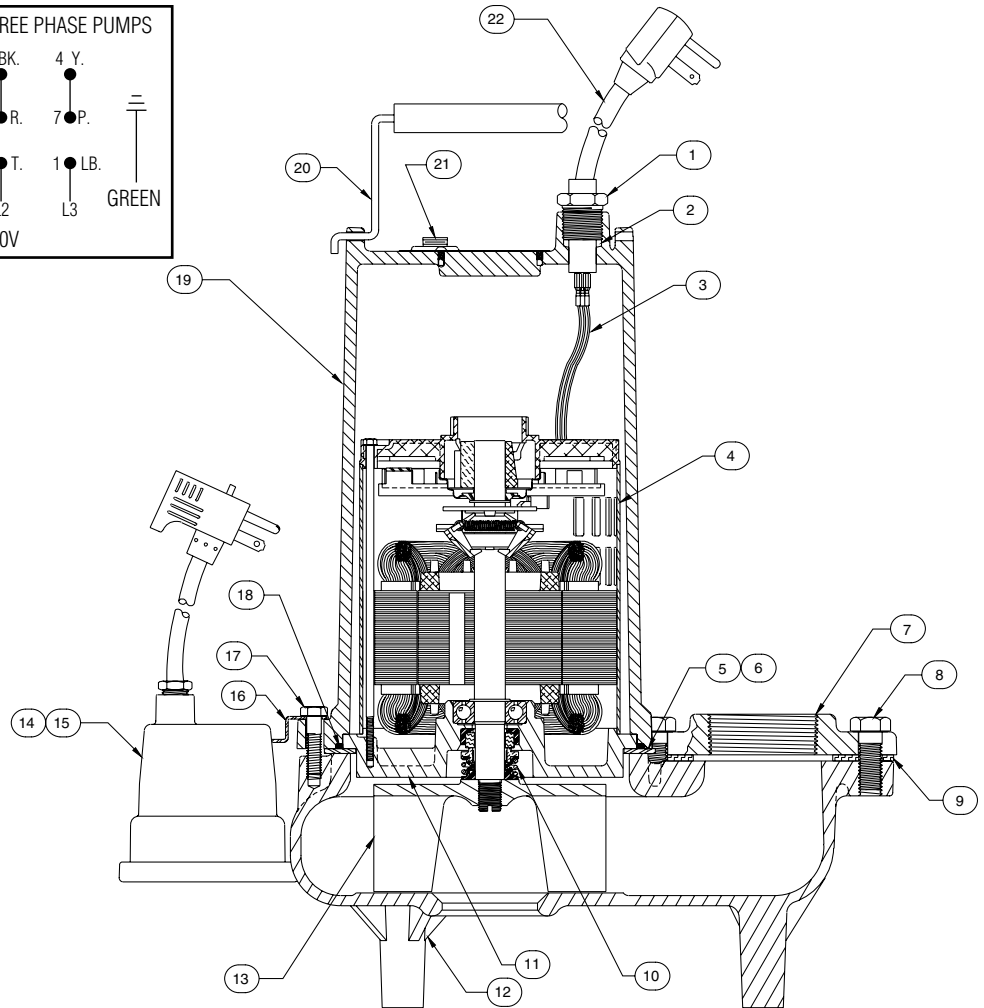
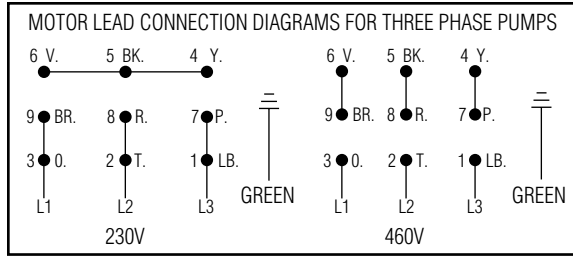
## Oil fill

1. After seal leak test is satisfactory, remove unit from water and wipe or blow off any excess water.
2. Do not put oil in motor with any water present in motor cavity.
3. Use refined paraffinic transformer oil, <sup>3</sup>Shellflex™ 2210 or equivalent.  
<sup>3</sup> Shell Oil Company, Texas
4. Slowly fill oil to 1/8" over windings in motor housing through opening (21). Use an oil fill tube that will go into holes so that air can escape. Replace plug (21).  
**NOTICE** Do not fill the motor housing completely – allow air space for expansion.
5. Connect power cord wires to terminals in panel, or connect power source, and check pump running. Motor should run smoothly and be free of vibration. Pump is ready for operation.

**⚠ WARNING Hazardous voltage.** Can shock, burn, or kill. Disconnect power before attempting any service or repair work on pump.

**⚠ WARNING Hazardous impellers and unexpected starts which can cause loss of fingers.** Keep hands away from pump suction inlet when working on or servicing pump.

Symptom	Possible Cause(s)	Corrective Action
Motor not running	Motor protector tripped.	Allow motor to cool. Make sure pump is completely submerged. Clear debris from volute and impeller. Check for high amp draw.
	Open circuit breaker or blown fuse.	Replace fuse or reset breaker. If circuit breaker opens repeatedly, don't reset it - call a licensed electrician.
	Impeller clogged or binding.	Check amp draw. If it is more than twice the nameplate amps, the impeller is locked. Bearings and shaft may be damaged. DISCONNECT POWER, clear debris from volute, impeller, and cutter as needed.
	Power cable damaged.	Resistance between power cable and ground should be infinity. If any reading is less than infinity, call a licensed electrician.
	Bad control panel.	Inspect control panel wiring. Call a licensed electrician.
	Defective liquid level switch.	With switch disconnected from power, check continuity through switch while activating liquid level switch. Replace switch if necessary.
	Not enough liquid in wet well to activate controls.	Allow the liquid to rise several inches above the switch-on level.
	Liquid level cords tangled	Untangle cords for free operation.
	Automatic controls defective	Try running pump in manual mode. If it runs, the automatic control is at fault.
Pump runs continuously	Liquid level control cords tangled	Untangle cords for free operation.
	Pump is airlocked.	Stop pump for about one minute, then restart. Repeat stopping and starting until the airlock clears. If the airlock persists, DISCONNECT POWER, pull the pump and drill a 1/8" hole in the discharge pipe between the pump discharge and the check valve.
	Flow in matches or exceeds the pump's capacity.	A larger pump or more pumps may be needed.
Little or no effluent delivered from pump	Check valve plugged, stuck shut, or installed backwards.	Make sure check valve is installed correctly (flow arrow should point away from pump) and functioning correctly.
	System head excessive.	Consult dealer.
	Pump suction plugged.	DISCONNECT POWER, pull pump, inspect, and clear as needed.
	Wrong voltage or not wired correctly.	Check pump's rotation; check nameplate voltage against supply voltage (they must match); consult a licensed electrician.
	Pump is air locked.	Stop pump for about one minute, then restart. Repeat stopping and starting until the airlock clears. If the airlock persists, DISCONNECT POWER, pull the pump and drill a 1/8" hole in the discharge pipe between the pump discharge and the check valve.
	Worn or damaged impeller.	DISCONNECT POWER, pull pump and inspect impeller. Replace if necessary.
	Liquid level controls incorrectly installed or defective.	Reposition or replace as necessary.
Pump cycles constantly	No discharge check valve installed.	Install discharge check valve.
	Discharge check valve stuck open.	Repair or replace check valve as necessary.
	Sewage wetwell too small.	Consult dealer.
	Liquid level controls incorrectly installed or defective.	Reposition or replace as necessary.
	Pump too small for inlet flow.	Consult dealer about larger pump or second pump.



Ref.	Description	Qty.	Part Number
1	Cord Nut (All 1Ø)	1	000750051
2	Ring Seal (All 1Ø)	1	001390141
3	Wire Terminal (All 1Ø)	1	060000821
	Wire Terminal (All 1Ø)	2	060000811
	Wire Connector (All 3Ø)	4	000730011
4	Motor 115/1/60	1	133711001
	Motor 230/1/60	1	133721001
	Motor 200/1/60	1	133731001
	Motor 200/3/60	1	108343001
	Motor 230-460/3/60	1	108341001
	Motor 380/3/60	1	108342001
	Motor 575/3/60	1	108787001
5	Clamp Ring	1	056770003
6	Flathead Screw	3	009840011
7	Discharge Flange 2" (STD)	1	002080002
	Discharge Flange 3" (OPT)	1	002070002
8	Cap screw (2" Discharge)	2	19103A052
	Cap screw (3" Discharge)	2	19103A043
9	Gasket	1	003240011

Ref.	Description	Qty.	Part Number
10	Shaft Seal	1	014525A010
11	Seal Plate	1	068460002
12	Volute	1	068180002
13	Impeller	1	047810002
14	Screw	1	000300211
15	Diaphragm Switch 115V-20' (STD)	1	149740225
	Diaphragm Switch 230V-20' (STD)	1	149740235
16	Switch Bracket	1	055020051
17	Cap screw	3	001010101
18	O-Ring	1	000770031
19	Motor Housing	1	000565002
20	Handle	1	000600005
21	Pipe Plug	1	149810011
22	Power Cord 16/3 115V/1/60 -20'	1	146230201
	Power Cord 16/3 200-230V/1/60 -20'	1	146232201
	Power Cord Ass'y 3E - 20'	1	116440895



## Limited Warranty

HYDROMATIC warrants to the original consumer purchaser ("Purchaser" or "You") of HYDROMATIC Sump Pumps, Effluent Pumps, Sewage Pumps (other than 2-1/2"), and Package Systems, that they will be free from defects in material and workmanship for the Warranty Period of 36 months from date of manufacture.

Our warranty will not apply to any product that, in our sole judgement, has been subject to negligence, misapplication, improper installation, or improper maintenance. Without limiting the foregoing, operating a three phase motor with single phase power through a phase converter will void the warranty. Note also that three phase motors must be protected by three-leg, ambient compensated, extra-quick trip overload relays of the recommended size or the warranty is void.

Your only remedy, and HYDROMATIC's only duty, is that HYDROMATIC repair or replace defective products (at HYDROMATIC's choice). You must pay all labor and shipping charges associated with this warranty and must request warranty service through the installing dealer as soon as a problem is discovered. No request for service will be accepted if received after the Warranty Period has expired. This warranty is not transferable.

EXCEPTIONS: Hydromatic Special Application Pumps, Battery Back-Up Sump Pumps, Filtered Effluent Pumps, Grinder Pumps, and 2-1/2" Sewage Pumps are warranted for a period of 12 months from date of purchase or 18 months from date of manufacture, whichever comes first.

HYDROMATIC SHALL NOT BE LIABLE FOR ANY CONSEQUENTIAL, INCIDENTAL, OR CONTINGENT DAMAGES WHATSOEVER.

THE FOREGOING LIMITED WARRANTIES ARE EXCLUSIVE AND IN LIEU OF ALL OTHER EXPRESS AND IMPLIED WARRANTIES, INCLUDING BUT NOT LIMITED TO IMPLIED WARRANTIES OF MERCHANTABILITY AND FITNESS FOR A PARTICULAR PURPOSE. THE FOREGOING LIMITED WARRANTIES SHALL NOT EXTEND BEYOND THE DURATION PROVIDED HEREIN.

Some states do not allow the exclusion or limitation of incidental or consequential damages or limitations on the duration of an implied warranty, so the above limitations or exclusions may not apply to You. This warranty gives You specific legal rights and You may also have other rights which vary from state to state.

This Limited Warranty is effective June 1, 2011 and replaces all undated warranties and warranties dated before June 1, 2011.

### **HYDROMATIC**

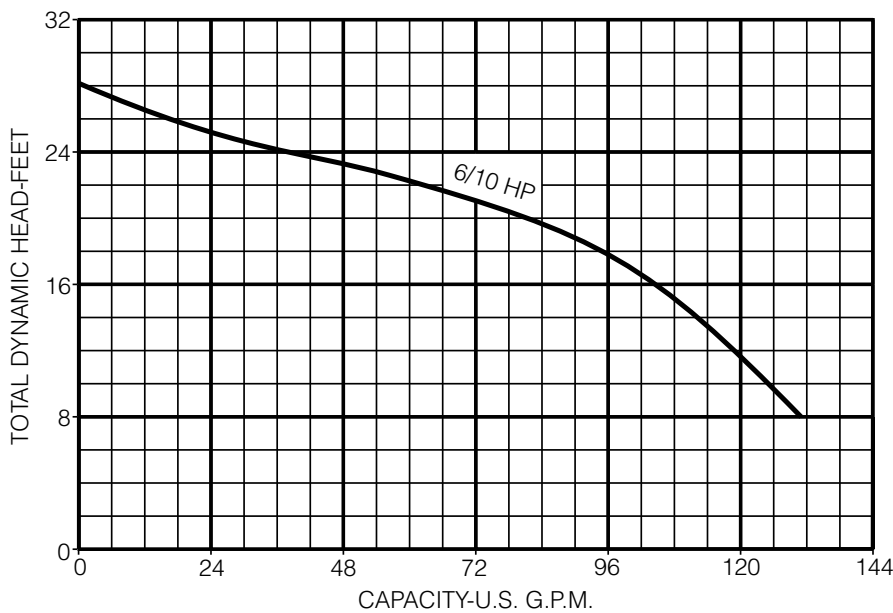
**293 Wright Street, Delavan, WI 53115**

**Phone: 888-957-8677 • Fax: 800-426-9446 • Web Site: [hydromatic.com](http://hydromatic.com)**

## Product Specifications

Model Family	SK60
Typical Application:	Sewage, dewatering
Capacities:	up to 130 GPM (8.2 LPS)
Heads:	up to 28 ft (8.5 m)
Electrical:	115V, 1 $\phi$ , 12.0 FLA, 60Hz; 208V, 1 $\phi$ , 6.9 FLA, 60Hz; 230V, 1 $\phi$ , 6.0 FLA, 60Hz; 208V, 3 $\phi$ , 2.9 FLA, 60Hz; 230V, 3 $\phi$ , 2.5 FLA, 60Hz; 460V, 3 $\phi$ , 1.3 FLA, 60Hz; 575V, 3 $\phi$ , 1.04 FLA, 60Hz
Motor:	(single phase) - 6/10 HP split phase with thermal overload protection, 1750 RPM; (three phase) - 6/10 HP polyphase, 1750 RPM
Intermittent Liquid Temperature:	140°F (60°C)
Minimum Recommended Sump Diameter:	Simplex = 24" (609.6 mm); Duplex = 36" (914.4 mm)
Automatic Operation:	Diaphragm pressure switch (single phase only, manual available)
Materials of Construction:	Class 30 cast iron
Impeller:	Class 30 cast iron two-vane nonclog
Discharge Size:	2" NPT (50.8 mm); 3" NPT (76.2 mm) optional
Solids Handling:	2" (50.8 mm)
Power Cord:	1 $\phi$ , 115V - 10', STW-A (20' optional); other 1 $\phi$ and all 3 $\phi$ - 20', STW-A

## Performance Curve




## Table des matières

<b>Directives de sécurité importantes</b> . . . . .	<b>11</b>
<b>Installation</b> . . . . .	<b>12</b>
<b>Utilisation</b> . . . . .	<b>13</b>
<b>Entretien</b> . . . . .	<b>13</b>
Remplacement de l'interrupteur à diaphragme . . . . .	14
Vérification du stator du moteur . . . . .	14
Vérification de la terre . . . . .	14
Remplissage avec de l'huile . . . . .	15
<b>Dépannage</b> . . . . .	<b>16</b>
<b>Pièces de rechange</b> . . . . .	<b>17</b>
<b>Garantie</b> . . . . .	<b>18</b>
<b>Caractéristiques du produit</b> . . . . .	<b>19</b>

## Directives de sécurité importantes

**Conservez ces directives** – Ce manuel renferme d'importantes directives qu'il faut suivre durant l'installation et l'entretien de la pompe. Conservez ce manuel pour référence future.

Ce symbole  indique qu'il faut être prudent. Lorsque ce symbole apparaît sur la pompe ou dans cette Notice, rechercher une des mises en garde qui suivent, car elles indiquent un potentiel de blessures corporelles!

Le mot signal **DANGER** indique un danger qui, s'il n'est pas évité, causera la mort ou des blessures graves.

Le mot signal **AVERTISSEMENT** indique un risque qui, s'il n'est pas évité, pourrait causer la mort ou des blessures graves.

Le mot signal **ATTENTION** indique un risque qui, s'il n'est pas évité, pourrait causer des blessures mineures ou modérées.

Le mot **AVIS** est utilisé pour les pratiques qui ne sont pas reliées aux blessures personnelles.

Le fabricant ne peut anticiper toutes les circonstances potentielles pouvant comporter un danger. Par conséquent, les avertissements contenus dans le présent manuel, ainsi que les plaques et les décalques apposés sur l'unité n'englobent pas toutes les possibilités. Si vous utilisez une procédure, une méthode de travail ou une technique d'opération non spécifiquement recommandée par le fabricant, vous devez vous assurer qu'elle ne compromet pas votre sécurité ni celle des autres. Vous devez également vous assurer que la procédure, la méthode de travail ou la technique d'opération que vous choisissez ne rende pas la pompe dangereuse.

Normalement, les électropompes de puisard fournissent de nombreuses années de service sans incident si elles sont bien posées, entretenues et utilisées. Toutefois, certaines circonstances inhabituelles (interruption du courant alimentant la pompe, saletés/débris dans le puisard, envahissement par l'eau dépassant le débit de pompage de la pompe, panne mécanique ou électrique de la pompe, etc.) peuvent empêcher la pompe de fonctionner normalement. Pour empêcher toute possibilité de dommages causés suite à un envahissement par l'eau, consulter le marchand

de chez qui la pompe a été achetée concernant la pose d'une pompe de puisard secondaire, d'une pompe de puisard de secours fonctionnant sur le courant continu et/ou d'une alarme de niveau haut d'eau. Se reporter au «Tableau de recherche des pannes» de cette Notice pour tout renseignement concernant les problèmes courants des pompes de puisard et comment y remédier. Pour plus de renseignements, s'adresser au marchand de chez qui on a acheté la pompe ou appeler le service à la clientèle HYDROMATIC® en composant le 1 800 468-7867 ou consulter notre site web [hydromatic.com](http://hydromatic.com).

**AVERTISSEMENT Tension dangereuse - risque de secousses électriques.** Les secousses électriques risquent de causer de graves blessures, voire la mort. Ne pas respecter les avertissements qui suivent risque de causer une électrocution mortelle.

**AVERTISSEMENT Risque de brûlure.** Les moteurs peuvent fonctionner par des températures élevées. Ne pas toucher un moteur qui fonctionne.

**ATTENTION Risque d'inondation.** Si un tuyau de refoulement souple est utilisé, la pompe risque de se déplacer dans le puisard lorsque le moteur démarrera. Si elle se déplace suffisamment loin, l'interrupteur risque de venir heurter la paroi du puisard et se coincer, ce qui empêchera la pompe de démarrer. S'assurer que la pompe est bien immobilisée de façon qu'elle ne puisse pas se déplacer dans le puisard.

**AVERTISSEMENT Pression dangereuse - risque d'explosion et de blessures corporelles.** Ne pas respecter les avertissements qui suivent risque de causer des blessures corporelles.

1. Si le sol du sous-sol est humide ou couvert d'eau, ne pas marcher sur cette surface humide tant que toute l'alimentation en courant électrique n'aura pas été interrompue. Si le sectionneur principal se trouve au sous-sol, appeler la compagnie qui fournit l'électricité pour lui demander d'interrompre le service parvenant à la maison ou appeler le service d'incendie local pour plus de renseignements. Ne pas manipuler la pompe ou le moteur lorsqu'on a les mains mouillées ou lorsqu'on se tient sur une surface humide, mouillée ou dans l'eau.

2. Ne brancher cette fiche que dans une prise de courant adéquatement mise à la terre.
3. Tout le câblage doit être effectué par un électricien qualifié.
4. Protéger le cordon électrique contre les objets tranchants, les surfaces chaudes, l'huile et les produits chimiques. Observer le *Avertissement concernant le levage par le cordon* indiquées ci-dessous.
5. **Risque d'explosion et de présence de gaz dangereux.** Le système septique doit bénéficier d'une aération conformément aux codes de plomberie locaux.  
Ne fumez pas, n'utilisez pas d'appareils électriques à étincelle ou de flamme dans une fosse septique (gazeuse) ou si le puisard est susceptible d'être septique.  
S'il y a possibilité que le puisard soit septique et que l'on doive y entrer : (1) observez les précautions de sécurité appropriées conformément aux exigences OSHA et (2) n'entrez pas dans la fosse tant que ces précautions n'ont pas été strictement respectées.  
N'installez pas la pompe dans un endroit considéré comme dangereux par la norme ANSI/NFPA 70-2001 du Code national de l'électricité.
6. Avant tout, il faut savoir ce que la pompe peut faire, ses limites et les dangers potentiels que présentent son utilisation.
7. Toujours porter des lunettes de sécurité lorsque l'on intervient sur une pompe.
8. Toujours garder la zone de travail propre, débarrassée de tout débris et bien éclairée - enlever tous les outils et tout le matériel dont on ne se sert pas.
9. Ne pas laisser les visiteurs s'approcher de la zone de travail.
10. Empêcher les enfants d'accéder à l'atelier en posant des cadenas, un disjoncteur général et en enlevant les clés des démarreurs.
11. Dissiper toute la pression du système avant d'intervenir sur un élément.
12. Si la conduite de refoulement de la pompe peut être fermée avec un robinet ou si elle risque d'être obstruée, prévoir un moyen de dissiper la pression.
13. Périodiquement, inspecter le puisard et tous les éléments de la pompe et du système. Enlever tous les débris et tous les corps étrangers du puisard. Procéder à un entretien périodique au besoin.
14. Vider toute l'eau du système avant d'intervenir sur le système.

## Installation

Nous vous remercions d'avoir acheté cette pompe HYDROMATIC®. Pour vous assurer des années de fonctionnement optimal, veuillez lire ce manuel attentivement.


Avant l'installation, vérifiez les codes d'électricité et de plomberie locaux. Les installations typiques des pompes d'eaux d'égout sont illustrées à la page suivante.

### Avertissement lié à la Proposition 65 de la Californie

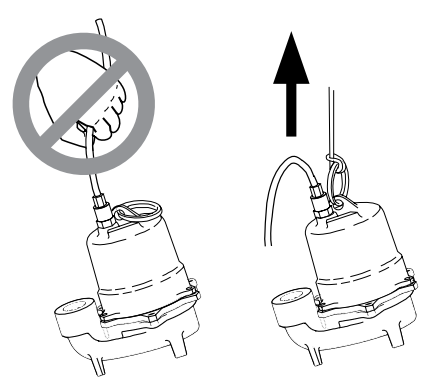
**⚠ AVERTISSEMENT** Ce produit et les accessoires connexes contiennent des produits chimiques reconnus dans l'État de la Californie comme pouvant provoquer des cancers, des anomalies congénitales ou d'autres dangers relatifs à la reproduction.

## Avertissement concernant le levage par le cordon

**⚠ AVERTISSEMENT**

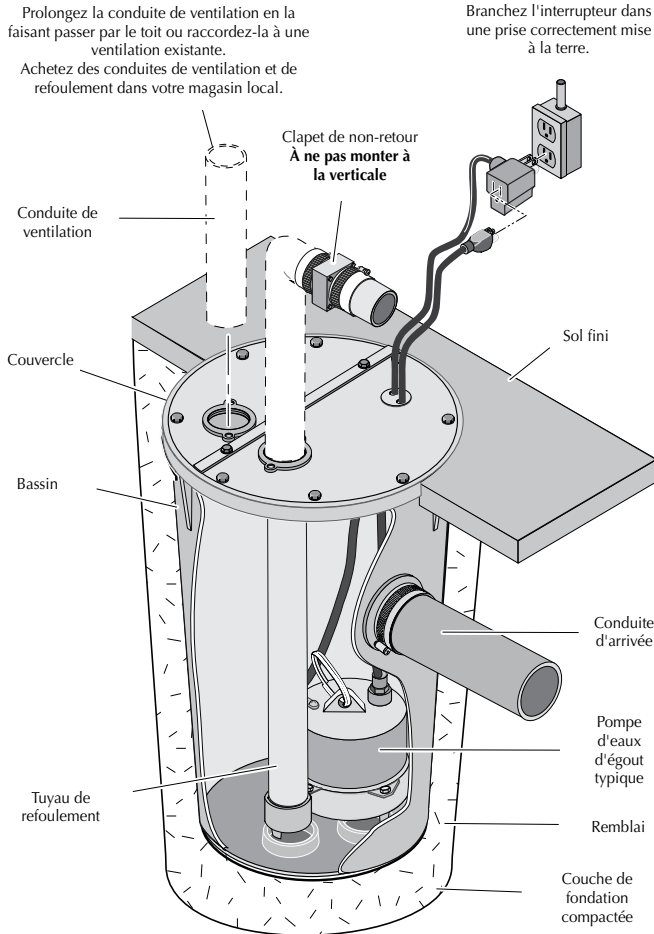


**Risque de choc électrique.**  
**Peut provoquer des brûlures, voire la mort.**  
**Ne soulevez pas la pompe par son cordon d'alimentation.**



**Risque de choc électrique et d'incendie.**

1. Essayer de lever ou tenir la pompe par son cordon d'alimentation peut endommager le cordon et les raccordements de celui-ci, mettre les fils à nu et provoquer un incendie ou un choc électrique.
2. Utilisez la poignée située sur le dessus de la pompe pour tout levage ou abaissement de la pompe. Coupez l'alimentation électrique de la pompe avant de travailler dessus ou d'essayer de la retirer de la fosse.
3. Lever ou tenir la pompe par son cordon d'alimentation annule la garantie.



**Suivez ces instructions d'installation :**

1. Fournissez une fosse aux dimensions adéquates (reportez-vous aux *Caractéristiques*) pour le réservoir d'eaux d'égout.
2. N'installez pas la pompe directement sur le fond du puisard, si celui-ci n'est pas solide. Surélevez la pompe en utilisant des briques ou des blocs de béton.
3. Avant d'installer la pompe, assurez-vous que la fosse est exempte de ficelles, tissus, ongles, gravier, etc.
4. Ne retirez pas la broche de mise à la terre de la fiche électrique.
5. N'utilisez pas de rallonge pour faire fonctionner cette pompe.
6. Pour garantir un fonctionnement automatique adéquat, assurez-vous que la pompe est branchée dans la fiche multiprise du cordon de l'interrupteur. Les modèles triphasés doivent être correctement raccordés à un tableau de commande approprié.  
Ne coupez, pincez ou tordez pas le cordon d'alimentation de l'interrupteur monophasé (15). Le tuyau de ventilation doit « respirer » pour que l'interrupteur fonctionne bien. Cela pourrait provoquer une défaillance de la pompe et annuler la garantie.
7. Utilisez des conduites d'acier ou de plastique pour toutes les canalisations de raccordement entre la pompe et le point de rejet des eaux d'égout.  
**AVIS :** Les réglementations de certaines villes ne permettent pas l'installation d'une pompe avec une conduite de plastique. Vérifiez les réglementations locales.

8. Utilisez ruban d'étanchéité en PTFE pour filetage sur les raccords des conduites. N'utilisez pas de la pâte à joint ordinaire sur les conduites de plastique ou la pompe. La pâte à joint peut attaquer le plastique et endommager la pompe.
9. Si la pompe doit rester inactive pendant plusieurs mois, il est recommandé de la faire tourner tous les mois pour vous assurer que le système de pompage fonctionnera correctement lorsque vous en aurez besoin.
10. Un clapet de non-retour doit être installé à l'horizontale dans la conduite de refoulement.
11. Le système optionnel Hydromatic Alerte Q est un système d'alarme sonore qui vous avertit en cas de niveau élevé de l'eau. Il est recommandé de l'installer dans toute fosse pour une protection accrue.  
**AVIS :** Le système Alerte Q est destiné à un usage à l'intérieur uniquement. D'autres alarmes et tableaux de commande Q sont disponibles pour un usage à l'extérieur. Communiquez avec votre distributeur Hydromatic concernant les applications.
12. Utilisez la pompe partiellement ou complètement immergée pour le pompage de liquides comme l'eau. La pompe prend en charge les corps solides (sphériques) jusqu'à 5 cm de diamètre. Cette pompe n'a pas été vérifiée pour une utilisation en piscine.

**ATTENTION** Risque d'inflammable. Ne pompez pas de liquides inflammables. Ne pompez pas de produits chimiques agressifs ou d'eau salée sans avoir consulté votre distributeur Hydromatic concernant les joints et revêtements adaptés.

**Utilisation**

**AVIS :** Ne laissez pas la pompe fonctionner dans une fosse à sec. Cela annulerait la garantie et pourrait endommager la pompe. Une protection automatique contre les surcharges à l'intérieur du moteur empêche celui-ci de griller à cause d'une surchauffe/surcharge. Lorsque le moteur refroidit, la protection contre les surcharges se réinitialise automatiquement.

Si la protection contre les surcharges se déclenche fréquemment, cherchez-en la cause. Cela peut être dû à un impulseur bloqué, une tension inadéquate/basse ou une défaillance électrique du moteur. Si vous suspectez une défaillance électrique du moteur, demandez à un réparateur qualifié de corriger le problème.

**Entretien**

Lisez attentivement les instructions suivantes avant de procéder au remplacement d'une pièce. Faites preuve de soin et utilisez des méthodes sécuritaires. Vérifiez les codes et exigences au niveau local avant de procéder à l'installation. Seul un plombier/électricien qualifié doit effectuer l'installation. Plongez complètement la pompe dans une solution désinfectante (à base d'agent de blanchiment dilué) pendant au moins une heure avant de la démonter. Vérifiez que l'impulseur n'est pas obstrué en regardant dans l'orifice d'aspiration de la pompe. L'arbre doit tourner librement en l'absence d'obstruction. Gardez les doigts, les tissus et tout autre matériau éloignés de l'orifice d'aspiration.

Les étapes décrites dans cette section doivent être réalisées par un centre de service autorisé uniquement.

**AVIS** : Lisez toutes les instructions avant de remplacer toute pièce. Déconnectez toujours la pompe de la source d'alimentation avant un entretien/une réparation.

Les nombres entre parenthèses, tels que (3) ou (16), se rapportent aux numéros d'article utilisés dans le schéma *Pièces de rechange*.

### Remplacement de l'interrupteur à diaphragme

Retirez la vis (14) du boîtier de l'interrupteur (15). Remplacez l'ancien interrupteur par un nouveau. Insérez la vis (14) dans le boîtier (15) et serrez. Branchez le cordon d'alimentation de la pompe dans la fiche multiprise du cordon de l'interrupteur, puis branchez la fiche sur une source d'alimentation adéquate.

### Vérification du fonctionnement du moteur

Branchez directement le cordon d'alimentation sur une source d'alimentation pour vérifier le fonctionnement du moteur. Le moteur doit démarrer et tourner librement. Si le moteur ne démarre pas, la pompe doit être démontée et le moteur vérifié. Veillez à débrancher le cordon avant de déconnecter des fils.

### Vérification du stator du moteur

Retirez le bouchon (22) du haut du boîtier (19) et versez l'huile dans un contenant en verre propre. Il y a environ 1,9 L d'huile dans le carter du moteur. Si l'huile est transparente, cela indique que le moteur n'a pas grillé et qu'il n'y a pas de fuite d'eau dans le moteur. Si l'huile est noire, cela signifie que le stator a grillé. Si l'huile est trouble, cela indique qu'il y a de l'eau dedans. Tous les joints doivent donc être remplacés.

Retirez les boulons (17) pour séparer le carter de la volute (12) du carter du moteur. Retirez le joint torique (18) et la plaque d'étanchéité (11) du carter du moteur. Retirez les boulons pour séparer l'ensemble moteur/stator du rotor. Si le stator est visiblement grillé, il doit être remplacé. S'il n'est pas grillé, mais que l'huile montre des traces d'eau, le stator peut être vérifié à l'aide de l'ohmmètre pour voir s'il peut encore être utilisé.

### Vérification de la terre

Réglez l'échelle de l'ohmmètre sur R X 1 et vérifiez-le en joignant ses deux fils et en ajustant le bouton de l'aiguille jusqu'à ce que zéro soit indiqué. Si l'ohmmètre ne peut pas être remis à zéro, ses piles doivent être changées.

**AVIS** : Lorsque vous changez d'échelle, remettez toujours l'appareil de mesure à zéro [0] avant d'effectuer une mesure.

Si le fil est bon, l'aiguille de l'ohmmètre s'approche de zéro et ne bouge plus. Si l'aiguille de l'ohmmètre ne bouge pas du tout, le fil est coupé et doit être réparé ou remplacé.

Raccordez un des fils de l'ohmmètre à un des fils du stator et à l'aide de l'autre fil de l'ohmmètre, touchez le carter du moteur (4). Si la résistance à la terre est inférieure à 500 000 ohms, le stator doit être séché avant d'être de nouveau testé. Pour le sécher, placez la pompe dans un four à 220 °F (104 °C) pendant quatre heures. Faites une nouvelle vérification une fois le moteur refroidi.

Si le moteur est bien sec, l'aiguille de l'ohmmètre ne bougera pas lors de la vérification de la terre. La mesure indiquée est de 50 mégohms ou plus. Lors de la vérification de la terre, si l'aiguille se dirige vers zéro, le moteur a un fil qui touche un endroit de l'enveloppe du stator et le stator doit être remplacé.

**AVIS** : Si le moteur offre une vérification de terre satisfaisante, la résistance de bobinage doit alors être vérifiée.

### Test de résistance de bobinage

Utilisez l'ohmmètre avec l'échelle réglée à R X 1. À cette échelle, l'ohmmètre effectue directement la mesure en ohms. Remettez l'appareil à zéro [0] avant de procéder à la mesure du bobinage.

**AVIS** : Si vous trouvez de l'eau dans le moteur, remplacez le joint.

### Remplacement du joint

Tenez le rotor. Pour les moteurs triphasés uniquement, retirez la vis et la rondelle de l'impulseur. Dévissez l'impulseur (13). Tapotez l'extrémité de l'arbre avec une massette à embouts plastiques. Cela poussera la moitié rotative du joint mécanique (10) hors de l'arbre et le roulement inférieur hors de la plaque d'étanchéité. Nettoyez bien la plaque d'étanchéité (11) et le carter du moteur (19). Tout le sable et toute la saleté doivent être éliminés. Retirez la base fixe en céramique du joint (10) de la plaque d'étanchéité. Poussez la nouvelle base en céramique pour l'insérer dans la plaque d'étanchéité. Appliquez du lubrifiant pour joint torique sur l'anneau en caoutchouc. Remettez le rotor en place dans la plaque d'étanchéité (11). Faites attention en passant l'arbre dans la base en céramique pour veiller à ne pas ébrécher celle-ci. Inspectez le joint une fois l'arbre en place. Si le joint a été endommagé, il doit être remplacé. Ne remettez pas la partie rotative du joint en place tant que le reste de la pompe n'a pas été remonté.

## Roulements

Une fois le rotor de la pompe enlevé, vérifiez les roulements avant de le remettre en place. Si les roulements sont rouillés ou ont du mal à tourner, ils doivent être remplacés. Lorsque vous installez un roulement de rechange, appuyez uniquement sur sa face intérieure.

**AVIS** : Ne tapez jamais sur la face extérieure du roulement, car cela l'endommagerait.

## Remontage

1. Poussez le nouvel ensemble d'arbre de rotor et de roulement à billes pour l'insérer dans la plaque d'étanchéité. (Notez que le rotor de rechange doit être de la même marque que le stator existant, et vice-versa.) Remontez le moteur (4) sur la plaque d'étanchéité (11) avec les quatre longues vis d'assemblage. Veillez à serrer fermement et uniformément les boulons pour éviter toute inclinaison du stator. En cas de montage non uniforme, le rotor peut frôler le moteur et provoquer un court-circuit.
  2. Poussez le nouveau joint en céramique (10) pour le mettre en place, avec l'anneau en caoutchouc côté impulseur. Il doit être légèrement recouvert d'huile (diélectrique, identique à celle contenue dans le carter du moteur).  
**AVIS** : La céramique doit rester propre. Toute saleté provoquera une défaillance du joint.
  3. Démarrez l'impulseur (13) sur l'arbre en lui faisant faire un à deux tours, puis ajoutez une goutte de <sup>2</sup>Loctite® 243 au filetage de l'impulseur et vissez bien l'impulseur à la main. L'impulseur forcera le joint en céramique à se mettre en place. L'arbre doit être exempt de toute saleté, graisse, etc. ou la Loctite® ne tiendra pas comme prévu. Remettez la rondelle et la vis de l'impulseur sur l'arbre pour les modèles triphasés.
- <sup>2</sup> Henckel Corporation, Germany
- AVIS** : Un excès de Loctite® sur le joint ou le roulement provoquera une défaillance de l'arbre.
4. Retirez l'ancien joint (18) et installez le nouveau en y ajoutant du lubrifiant pour joint torique.  
Ne faites pas rouler le joint sur la plaque d'étanchéité, car cela pourrait donner lieu à des fuites d'eau dans le carter du moteur.
  5. Fixez le fil de terre dans le carter du moteur et calez les fils contre la paroi du carter pour éviter qu'ils ne viennent frotter contre le rotor. Montez ensuite le carter (19) sur la volute (12) avec des boulons (17).

6. Avant de remplir le carter du moteur avec de l'huile, effectuez un test d'étanchéité des joints. Appliquez une pression d'air de 3 à 3,5 kg au niveau du robinet à filetage NPT de 1/4 po (21) situé sur le dessus du couvercle du moteur et fermez le boîtier.

**AVIS** : Une pression trop élevée endommagera le joint. Le joint devrait alors être remplacé.

Plongez ensuite la pompe dans l'eau et vérifiez l'absence de fuites. Si une fuite se produit, repérez son origine et résolvez le problème en remplaçant la partie défectueuse.

Les pompes Hydromatic disposent d'un petit orifice d'évacuation de l'air dans la cavité de l'impulseur pour laisser s'échapper l'air emprisonné. Si ce trou est obstrué, la pompe peut être bloquée par une poche d'air. Pour libérer cette poche d'air, utilisez un petit tournevis pour dégager l'orifice dans la cavité de l'impulseur.

En tant que mesure de précaution secondaire pour les installations de ce type, un trou de 1/8 po devrait être percé dans la conduite de refoulement, juste au-dessus de la volute. Le clapet de non-retour doit se situer à au moins 12 po (30,5 cm) au-dessus du refoulement de la pompe. N'installez pas directement le clapet de non-retour dans l'orifice de refoulement de la pompe.

**AVIS** : Dans les fosses où la pompe fonctionne tous les jours, le blocage par poche d'air se produit rarement.

## Remplissage avec de l'huile

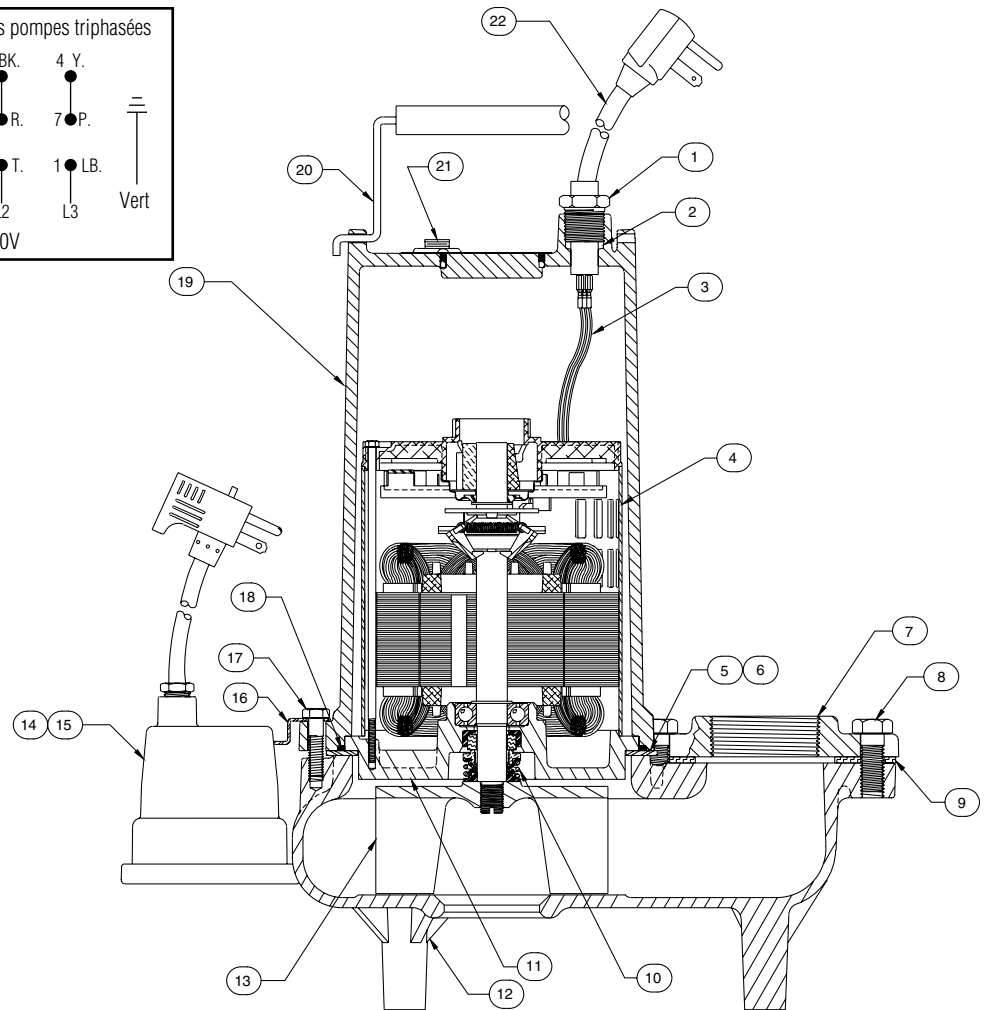
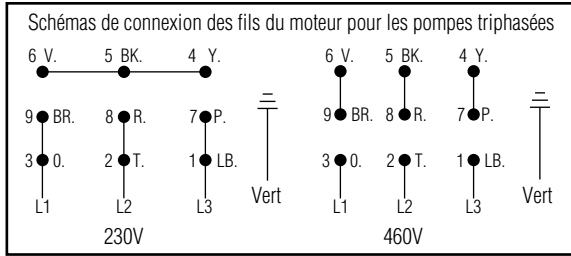
1. Une fois le test d'étanchéité des joints effectué avec succès, sortez la pompe de l'eau, et essuyez ou soufflez tout excès d'eau.
  2. Ne mettez pas d'huile dans le moteur si de l'eau est présente dans la cavité du moteur.
  3. Utilisez de l'huile de transformateur paraffinique raffinée <sup>3</sup>Shellflex<sup>MC</sup> 2210 ou équivalente.
- <sup>3</sup> Shell Oil Company, Texas
4. Versez doucement l'huile jusqu'à 1/8 po (0,3 cm) au-dessus des bobinages à l'intérieur du carter du moteur en passant par l'orifice (21). Utilisez un tube de remplissage pour huile qui sera inséré dans les orifices pour que l'air puisse s'échapper. Remettez le bouchon en place (21).  
**AVIS** : Ne remplissez pas complètement le carter du moteur. Laissez de l'espace pour l'air en cas d'expansion.
  5. Raccordez les fils du cordon d'alimentation aux bornes du tableau ou connectez la source d'alimentation, et vérifiez que la pompe fonctionne. Le moteur doit tourner librement et ne pas vibrer. La pompe est prête à être utilisée.

**⚠ AVERTISSEMENT Tension dangereuse.** Peut provoquer des chocs électriques, des brûlures, voire la mort. Coupez l'alimentation avant de tenter d'entretenir ou de réparer la pompe.

**⚠ AVERTISSEMENT Impulseurs dangereux et démarrages inopinés pouvant provoquer la perte de doigts.** Gardez les mains éloignées de l'orifice d'aspiration de la pompe lorsque vous travaillez sur celle-ci ou lorsque vous la réparez.

Symptôme	Cause(s) possible(s)	Mesure corrective
Le moteur ne fonctionne pas.	Le dispositif de protection du moteur s'est déclenché.	Laissez le moteur refroidir. Vérifiez que la pompe est complètement immergée. Enlevez les débris de la volute et de l'impulseur. Vérifiez si le débit en ampères est élevé.
	Disjoncteur déclenché ou fusible grillé.	Remplacez le fusible ou réenclenchez le disjoncteur. Si le disjoncteur se déclenche à répétition, ne le réenclenchez pas. Téléphonez à un électricien agréé.
	Impulseur obstrué ou grippé.	Vérifiez le débit en ampères. S'il est plus de deux fois supérieur à l'intensité figurant sur la plaque signalétique, l'impulseur est bloqué. Les roulements et l'arbre peuvent être endommagés. Coupez l'alimentation électrique, enlevez les débris de la volute, de l'impulseur et du dilacérateur si besoin est.
	Câble d'alimentation endommagé.	La résistance entre le câble d'alimentation et la terre doit être infinie. Si la mesure est inférieure à l'infini, téléphonez à un électricien agréé.
	Problème au niveau du tableau de commande.	Inspectez le câblage du tableau de commande. Téléphonez à un électricien agréé.
	Contacteur de niveau de liquide défectueux.	Une fois le contacteur de niveau de liquide déconnecté de l'alimentation, vérifiez-la continuité de celui-ci tout en l'activant. Au besoin, remplacez le contacteur.
	Pas assez de liquide dans le puits d'aspiration pour activer les commandes.	Laissez le liquide monter de plusieurs pouces (centimètres) au-dessus du niveau de déclenchement.
	Cordons de niveau de liquide emmêlés.	Démêlez les cordons pour que le système fonctionne librement.
La pompe fonctionne en continu.	Commandes automatiques défectueuses.	Essayez de faire fonctionner la pompe dans le mode manuel. Si elle fonctionne, la commande automatique est défaillante.
	Cordons des commandes de niveau de liquide emmêlés.	Démêlez les cordons pour que le système fonctionne librement.
	La pompe est bloquée par de l'air.	Arrêtez la pompe pendant une minute environ, puis redémarrez-la. Répétez l'arrêt et le démarrage jusqu'à ce que le blocage par l'air soit éliminé. Si le blocage persiste, <b>COUPEZ L'ALIMENTATION ÉLECTRIQUE</b> , tirez sur la pompe et percez un trou de 1/8 po (0,3 cm) dans la conduite de refoulement entre le refoulement de la pompe et le clapet antiretour.
Peu ou pas d'effluent sortant de la pompe.	Le débit d'entrée est égal ou supérieur à la capacité de la pompe.	Une pompe plus grande ou des pompes supplémentaires peuvent être nécessaires.
	Vérifiez si le clapet est obstrué, bloqué en position fermée ou installé à l'envers.	Assurez-vous que le clapet antiretour est correctement installé (la flèche de débit doit pointer vers la direction opposée à celle de la pompe) et qu'il fonctionne de manière appropriée.
	Hauteur de refoulement du système excessive.	Consultez le détaillant.
	Obstruction de l'aspiration de la pompe.	<b>COUPEZ L'ALIMENTATION ÉLECTRIQUE</b> , tirez sur la pompe, inspectez-la et éliminez l'obstruction au besoin.
	Mauvaise tension ou câblage incorrect.	Vérifiez la rotation de la pompe; comparez la tension d'alimentation et la tension figurant sur la plaque signalétique (elles doivent correspondre); consultez un électricien agréé.
	La pompe est bloquée par de l'air.	Arrêtez la pompe pendant une minute environ, puis redémarrez-la. Répétez l'arrêt et le démarrage jusqu'à ce que le blocage par l'air soit éliminé. Si le blocage persiste, <b>COUPEZ L'ALIMENTATION ÉLECTRIQUE</b> , tirez sur la pompe et percez un trou de 1/8 po (0,3 cm) dans la conduite de refoulement entre le refoulement de la pompe et le clapet antiretour.
	Impulseur usé ou endommagé.	<b>COUPEZ L'ALIMENTATION ÉLECTRIQUE</b> , tirez sur la pompe et inspectez l'impulseur. Remplacez-le au besoin.
La pompe fonctionne par intermittence.	Commandes de niveau de liquide mal installées ou défectueuses.	Repositionnez-les ou remplacez-les au besoin.
	Aucun clapet antiretour installé dans le refoulement.	Installez le clapet antiretour de refoulement.
	Clapet antiretour de refoulement bloqué en position ouverte.	Réparez ou remplacez le clapet antiretour au besoin.
	Puits d'aspiration des eaux d'égout trop petit.	Consultez le détaillant.
	Pompe trop petite pour le débit d'entrée.	Informez-vous auprès du détaillant pour obtenir une plus grande pompe ou une pompe supplémentaire.





Ref.	Description	Qte.	Número de pièce
1	Écrou du cordon (1 Ø)	1	000750051
2	Joint torique (1 Ø)	1	001390141
3	Ensemble de bornes (1 Ø)	1	060000821
	Ensemble de bornes (1 Ø)	2	060000811
	Connecteur (3 Ø)	4	000730011
4	Moteur 115/1/60	1	133711001
	Moteur 230/1/60	1	133721001
	Moteur 200/1/60	1	133731001
	Moteur 200/3/60	1	108343001
	Moteur 230-460/3/60	1	108341001
	Moteur 380/3/60	1	108342001
	Moteur 575/3/60	1	108787001
5	Bague de serrage	1	056770003
6	Vis	3	009840011
7	Bride de refoulement 2 po	1	002080002
	Bride de refoulement 3 po (opt.)	1	002070002
8	Vis (refoulement de 2 po)	2	19103A052
	Vis (refoulement de 3 po)	2	19103A043
9	Joint	1	003240011

Ref.	Description	Qte.	Número de pièce
10	Joint d'arbre	1	014525A010
11	Plaque d'étanchéité	1	068460002
12	Carter de la volute	1	068180002
13	Impulseur	1	047810002
14	Vis	1	000300211
15	Interrupteur à membrane 115V-20 pi	1	149740225
	Interrupteur à membrane 230V-20 pi	1	149740235
16	Support d'interrupteur	1	055020051
17	Vis	3	001010101
18	Joint torique	1	000770031
19	Carter du moteur	1	000565002
20	Poignée	1	000600005
21	Bouchon fileté	1	149810011
22	Cordon d'alimentation 16/3, 1 Ø, 115V/1/60 -20 pi	1	146230201
	Cordon d'alimentation 16/3, 1 Ø, 200-230V/1/60 -20 pi	1	146232201
	Cordon d'alimentation 3 Ø - 20 pi	1	116440895

**Garantie limitée**

HYDROMATIC garantit à l'acheteur/au consommateur d'origine (l'Acheteur) des pompes de puisard, pompes d'effluents, pompes d'eaux d'égout (à l'exception de la pompe de 2-1/2 po), et les systèmes ensembles HYDROMATIC, que celles-ci seront exemptes de tout vice de matériau et de fabrication pendant la période de garantie de 36 mois suivant la date de fabrication.

Nos garanties ne s'appliquent pas aux produits ayant fait l'objet de négligence, d'une mauvaise utilisation, d'une mauvaise installation ou d'un manque d'entretien adéquat. Sans aucune limitation des présentes, la garantie des moteurs triphasés submersibles sera nulle et non avenue si ces moteurs sont branchés et fonctionnent sur le courant monophasé par l'intermédiaire d'un déphaseur. Il faut également noter que les moteurs triphasés doivent être protégés par un relais de surcharge tripolaire thermocompensé à déclenchement extrêmement rapide du calibre recommandé, sinon la garantie sera nulle et non avenue.

Le seul recours de l'Acheteur et la seule responsabilité de HYDROMATIC consistent à réparer ou à remplacer (au choix de HYDROMATIC) les produits qui se révéleraient défectueux. L'Acheteur s'engage à payer tous les frais de main d'œuvre et d'expédition du produit couvert par sa garantie et de s'adresser au concessionnaire-installateur ayant procédé à l'installation dès qu'un problème est découvert pour obtenir un service sous garantie. Aucune demande de service en vertu de sa garantie ne sera acceptée après expiration de la durée de sa garantie. Ces garanties ne sont pas transférables.

EXCEPTIONS : Les pompes pour applications spéciales, les pompes de puisard de secours à batterie, les pompes d'effluents à filtre, les pompes broyeuses, et les pompes d'eaux d'égout de 2-1/2 po Hydromatic sont garanties pendant une période de 12 mois suivant la date d'achat, ou une période de 18 mois suivant la date de fabrication, selon la première occurrence.

HYDROMATIC DÉCLINE TOUTE RESPONSABILITÉ POUR TOUT DOMMAGE INDIRECT OU FORTUIT QUEL QU'IL SOIT.

LA GARANTIE LIMITÉE SUSMENTIONNÉE EST EXCLUSIVE ET REMPLACE TOUTES LES AUTRES GARANTIES EXPRESSES ET TACITES, Y COMPRIS, MAIS SANS S'Y LIMITER, LES GARANTIES DE QUALITÉ MARCHANDE ET D'ADAPTATION À UN USAGE PARTICULIER. LA GARANTIE LIMITÉE SUSMENTIONNÉE NE DOIT PAS ÊTRE PROLONGÉE AU-DELÀ DE LA DURÉE PRÉVUE AUX PRÉSENTES.

Certains états, territoires et certaines provinces ne permettent pas l'exclusion ou la limitation des dommages indirects ou fortuits, ni les limitations relatives à la durée des garanties tacites. Par conséquent, il se peut que les limitations ou les exclusions stipulées dans les présentes ne s'appliquent pas dans ce cas. Ces garanties accordent des droits juridiques précis, bien que l'on puisse bénéficier d'autres droits, selon la province, le territoire ou l'état dans lequel on réside.

La présente garantie limitée est entrée en vigueur le 1er juin 2011 et remplace toute garantie non datée ou antérieure à cette date.

**HYDROMATIC****293 Wright Street, Delavan, WI 53115****Tél. : 888-957-8677 • Téléc. : 800-426-9446 • Site Web : [hydromatic.com](http://hydromatic.com)**

## Caractéristiques du produit

Modèle	SK60
Application typique	Eaux d'égout, capacité élevée
Capacité :	jusqu'à 130 GPM (8.2 LPS)
Hauteurs d'eau :	jusqu'à 28 pi (8.5 m)
Système électrique :	115V, 1ø, 12.0 FLA, 60Hz; 208V, 1ø, 6.9 FLA, 60Hz; 230V, 1ø, 6.0 FLA, 60Hz; 208V, 3ø, 2.9 FLA, 60Hz; 230V, 3ø, 2.5 FLA, 60Hz; 460V, 3ø, 1.3 FLA, 60Hz; 575V, 3ø, 1.04 FLA, 60Hz
Moteur :	(1ø) - 6/10 cv décalage de phase avec la surcharge thermique, 1 750 tr / min; (3ø) - 6/10 cv polyphasés, 1 750 tr / min
Température de liquide intermittente :	140°F (60°C)
Diamètre de fosse minimal recommandé :	Simplex = 24 po (609.6 mm); Duplex = 36 po (914.4 mm)
Fonctionnement automatique :	Pressostat à membrane (une seule phase, d'emploi disponibles)
Matériaux de construction :	Fonte de classe 30
Impulseur :	Fonte de classe 30, deux palettes
Dimension du refoulement :	2 po NPT (50.8 mm); 3 po NPT (76.2 mm) opt.
Gestion des matières solides :	2 po (50.8 mm)
Cordon d'alimentation :	1ø, 115V - 10 pi, STW-A (20 pi opt.); outre 1ø et 3ø - 20 pi, STW-A

## Courbe de performance

