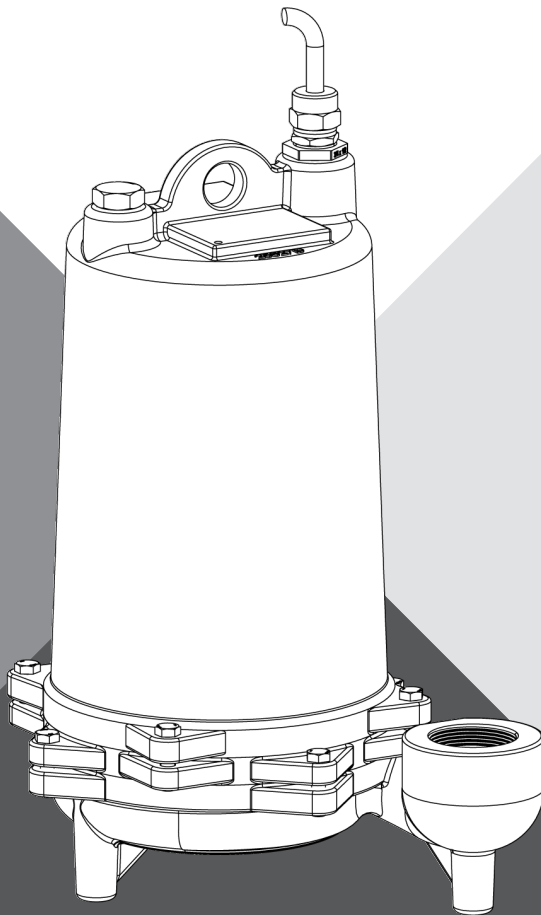


SUBMERSIBLE EFFLUENT PUMPS

SHEF50S ♦ SHEF100S

ENGLISH: 1-16 ♦ FRANCAIS: 17-32 ♦ ESPAÑOL: 33-48



INSTALLATION & OPERATION MANUAL

pentair.com





TABLE OF CONTENTS


Safety Instructions.....	3
Description.....	4
Installation.....	5
Diagrams.....	6
Maintenance.....	9
Specifications.....	11
Repair Parts List.....	14
Warranty.....	16


SAFETY INSTRUCTIONS

SAFETY SYMBOLS

 This is the safety alert symbol. When you see this symbol on your pump or in this manual, look for one of the following signal words and be alert to the potential for personal injury:

 **DANGER** warns about hazards that will cause serious personal injury, death or major property damage if ignored.

 **WARNING** warns about hazards that can cause serious personal injury, death or major property damage if ignored.


 **CAUTION** warns about hazards that will or can cause minor personal injury or property damage if ignored.

The word **NOTICE** indicates special instructions that are important but not related to hazards.


CALIFORNIA PROPOSITION 65 WARNING

 **WARNING** This product and related accessories contain chemicals known to the State of California to cause cancer, birth defects or other reproductive harm.

GENERAL SAFETY

- ♦ Carefully read and follow all safety instructions in this manual and on the unit itself.
- ♦  **CAUTION** Do not touch an operating motor. Modern motors can operate at high temperatures. To avoid burns when servicing pump, allow it to cool for 20 minutes after shutdown before handling.
- ♦ Follow all applicable local and state codes and regulations.
- ♦ Keep safety labels in good condition, replacing any missing or damaged labels.
- ♦ **DO NOT** run the pump dry. Dry running can overheat the pump, (causing burns to anyone handling it) and will void the warranty.
- ♦ Wear safety glasses at all times when working on pumps.
- ♦ Keep work area clean, uncluttered and properly lighted. Store all unused tools and equipment.
- ♦ **DO NOT** use to pump flammable liquids. Never operate the pump in an explosive environment. Arcing from the motor brushes, switch or excessive heat from an improperly cycled motor may cause an explosion.

ELECTRICAL SAFETY

 **DANGER HAZARDOUS VOLTAGE. CAN SHOCK, BURN, OR KILL.** When installing, operating, or servicing this pump, follow the safety instructions listed below.

- ♦ **DO NOT** install pump in any location classified as hazardous by National Electrical Code, NFPA 70 or the Canadian Electrical Code.
- ♦ **DO NOT** modify the cord or plug. When using cord and plug, use a grounded outlet only. When wiring to a system control, connect ground lead to the system ground.
- ♦ **DO NOT** allow the plug on the end of the electrical cord to be submerged.
- ♦ **DO NOT** use extension cords. They are a fire hazard and can reduce voltage sufficiently to prevent pumping and/or damage motor.
- ♦ **DO NOT** handle or service the pump while it is connected to the power supply.
- ♦ Plug the pump into a 3-wire, grounded, grounding-type receptacle. When wiring this pump follow all local electrical and safety codes and ordinances as well as the most recent National Electric Code (NEC-ANSI/NFPA 70).
- ♦ All pumps have a GROUND WIRE that is connected to a screw in the metal motor housing. This wire goes to the receptacle or control box which must be connected to a good outside GROUND such as a metal water pipe or GROUND STAKE driven at least 8 feet into the ground.

WHEN OVERLOAD CURRENT PROTECTION IS PROVIDED BY INSTALLER: USE WITH APPROVED MOTOR CONTROL THAT MATCHES MOTOR INPUT IN FULL LOAD AMPERES WITH OVERLOAD ELEMENT(S) SELECTED OR ADJUSTED IN ACCORDANCE WITH CONTROL INSTRUCTIONS.

WHEN MOTOR HAS BUILT-IN OVERLOAD PROTECTION: USE WITH APPROVED MOTOR CONTROL THAT MATCHES MOTOR INPUT IN FULL LOAD AMPERES.

DESCRIPTION

DESCRIPTION

The SHEF50S and SHEF100S series pumps are designed for effluent dosing, Septic Tank Effluent Pumping (S.T.E.P.) or normal sump and general dewatering applications where higher pressure is required.

When used in effluent dosing or S.T.E.P. applications, the pump must be installed in a separate tank or compartment at the discharger side of the septic tank. **Never install pump in tank where sludge collects.**

These pumps are available in single phase and three phase. All phase units and all duplex installations must be used with a control box. All power cords and seal leak detector cords are 20 feet long.

The SHEF50S model impeller is an enclosed two vane type to handle 3/4" spherical solids and are available made of engineered thermoplastic. All pumps have a 2" NPT discharge tapping.

These pumps are NOT for use in swimming pools or fountains.

AIR LOCKING

A pump is said to be air locked if water traps air in the pump and it cannot get out, thus preventing the pump from operating.

In installation of this type a 1/8" hole should be drilled in the discharge pipe just above the pump discharge and a check valve should be installed 12 to 18 inches above pump discharge. Do not put check valve directly into pump discharge opening - follow local code.

PACKAGING

Each pump is packaged separately in a carton marked with a catalog number and the Hydromatic engineering number.

LEVEL CONTROLS

All pumps must use sealed level control switches for automatic operation. MLC and MFLC controls have sealed switches that are 1 HP rated at 230 volts. Simplex single phase pumps can be made automatic by attaching MFLC or MFS controls to the pump. These switches have a fixed draw off level of 8 to 10 inches and can be used up to 1 HP.

Plug-in cords can be used on all the single phase pumps. This cord has a GROUND pin that plugs into a grounded receptacle. The grounded receptacle cannot be used in the wet sump or basin due to DANGER of current leakage. Sealed junction boxes must be used in wet sumps or basins to make connections to motor cord. The AWS-1 control also acts as a sealed junction box for connecting power cord to pump cord.

DESIGN OF PRESSURE SEWER SYSTEMS

Hydromatic has available complete computer SOFTWARE for designing PRESSURE SEWER SYSTEMS. This gives pipe sizes to use and gives exact flow from any pump or group of pumps in the system when operating simultaneously. This design DISK for IBM or COMPATIBLE computers is available to engineers on request.

MOTOR TYPE

Motors are 3/4 frame, 1/2 and 1HP single or three phase, 60 Hertz, 3450 R.P.M. with class B insulation. All single phase motors are permanent split-capacitor (PSC) type with built-in on-winding overload protection and do not require a start switch or start relay. The three phase pump motors require a magnetic starter with 3 leg overload protection. All motors have upper and lower ball bearings and all are oil-cooled and lubricated.

⚠ WARNING Breathing hazard. Basin or tank must be vented in accordance with local plumbing codes. These pumps are not designed for and CANNOT be installed in locations classified as hazardous in accordance with NFPA 70.

- ◆ Never enter pump chamber after sewage or effluent has been in basin. Sewage water can give off methane, hydrogen sulfide and other gases which are highly poisonous.

Hydromatic recommends installing SHEF50S and SHEF100S series effluent pumps with a quick removal system. The quick removal system may be a union or quick-release coupling if the pipe or discharge hose is within reach from the surface, or a rail system type quick disconnect on deeper installations. See installation drawings for suggested installation.

The dosing tank or pumping chamber must be constructed of corrosion resistant materials and must be capable of withstanding all anticipated internal and external loads. It also must not allow infiltration or exfiltration. The tank must have provisions for anti-buoyancy. Access holes or covers must be of adequate size and be accessible from the surface to allow for installation and maintenance of the system. Access covers must be lockable or heavy enough to prevent easy access by unauthorized personnel. The pumping chamber holding capacity should be selected to allow for emergency conditions.

The discharge pipe must be the same size as the pump discharge (2 inches) or larger. In order to insure sufficient fluid velocity to prevent any residual solids from collecting in the discharge pipe, it is recommended that a minimum flow of 2 feet per second be maintained. (21 GPM through 2" pipe and 46 GPM through 3" pipe). It is recommended that PVC or equal pipe is used for corrosion resistance.

INSTALLATION

A full flow (ball or gate) shut off valve must be installed to prevent back flow of effluent if the pump must be removed for service. A check valve must be installed on pressure sewer systems and on other systems where conditions allow to prevent backflow and to reduce wear on the pump system.

A high water alarm must be installed on a separate circuit from the pump circuit. The alarm should have the ability to be tested for proper operation.

SPECIAL INSTRUCTIONS FOR THREE PHASE PUMPS

1. Hydromatic recommends three phase pumps to be installed by qualified personnel.
2. **⚠️ WARNING Risk of electric shock.** Do not remove cord and strain relief. Do not connect conduit to pump.
3. Three phase pumps are always installed with control boxes having magnetic starters with 3 leg overload protection. DO NOT TRY TO RUN THREE PHASE PUMPS DIRECTLY ACROSS THE LINE.
4. **To Connect Pump:** Run wire from pump to the bottom of control box or appropriate junction box suitable for enclosing splice connections. A hole must be cut into the control box for the wires. With power to control box off, connect green (ground) line to ground lug. Connect black (power) wires to power lead terminals. Note: for a typical CE style control box, these terminals are marked M1, M2 and M3. Make sure that all wires are inside control box and not in a position to be pinched or shorted when the door is closed.
5. All three phase motors can run either direction. ROTATION can be changed by interchanging any two line leads at magnetic starter. BE SURE CIRCUIT BREAKER IS OFF BEFORE MAKING THIS CHANGE. To find if rotation is correct operate pumps and check delivery operation. If flow and head is low (refer to pump curves shown in this manual) the rotation is wrong. With duplex pumps, check operation of both pumps.
6. All pump impellers, either single or three phase, must turn counterclockwise when looking into pump inlet. If uncertain of rotation, TURN OFF POWER and lift pump from basin with cord connected and lay pump on side so impeller can be seen. Turn on power and start pump using hand position of H-O-A switch. Turn on and off fast so that coast of impeller can be seen. NEVER PUT HAND OR FINGERS ON THE IMPELLER. Interchange any two line leads at the magnetic starter to change rotation.

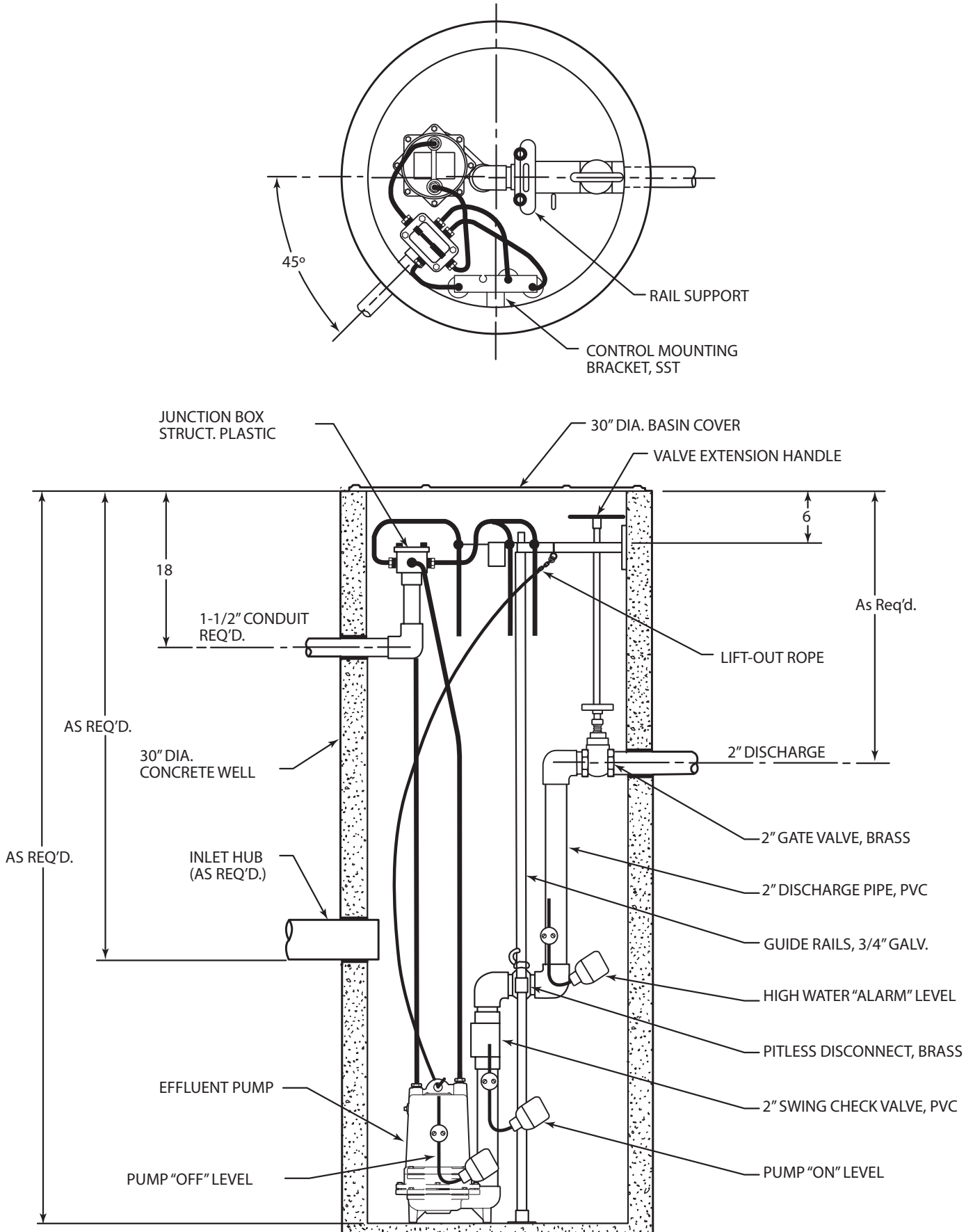
POINTS TO CHECK IF PUMP DOES NOT RUN OR DOES NOT RUN PROPERLY

1. Pump does not run or start when water is up in tank.
 - ◆ Check for blown fuse or tripped circuit breaker.
 - ◆ Check for defective level switch.
 - ◆ Where control panel is used be sure H-O-A switch is in the AUTO position. If it does not run, turn switch to the HAND position and if the pump runs then the trouble is in the automatic electrical system. Have an ELECTRICIAN make electrical checks.
 - ◆ Check for burned out motor. Occasionally lightning can damage a motor even with lightning protection.
 - ◆ Where plug-in cords are used, be sure contact blades are clean and making good contact. DO NOT USE PLUG-IN CORDS INSIDE A SUMP OR WET WELL.
 - ◆ Level control ball or weight may be stuck on side of basin. Be sure it floats freely.
2. Pump runs but does not deliver flow.
 - ◆ Check air lock. Start and stop pump several times; if this does not help it may be necessary to loosen a union in the discharge line to relieve air lock.
 - ◆ Check valve may be installed backwards. Check flow arrow on valve body. Check shut-off valve. It may be closed.
 - ◆ Check vertical elevation. It may be higher than pump can develop. (See pump curve).
 - ◆ Pump inlet may be plugged. Remove pump to check.

⚠️ WARNING Risk of electric shock. Always unplug power cords or turn off all main and branch circuit breakers before doing any work on the pump. If control panel is remote from pump, disconnect lead wires to motor so that no one can turn the circuit breaker back on. If motor is three phase, mark the leads so they can be replaced in the same order.

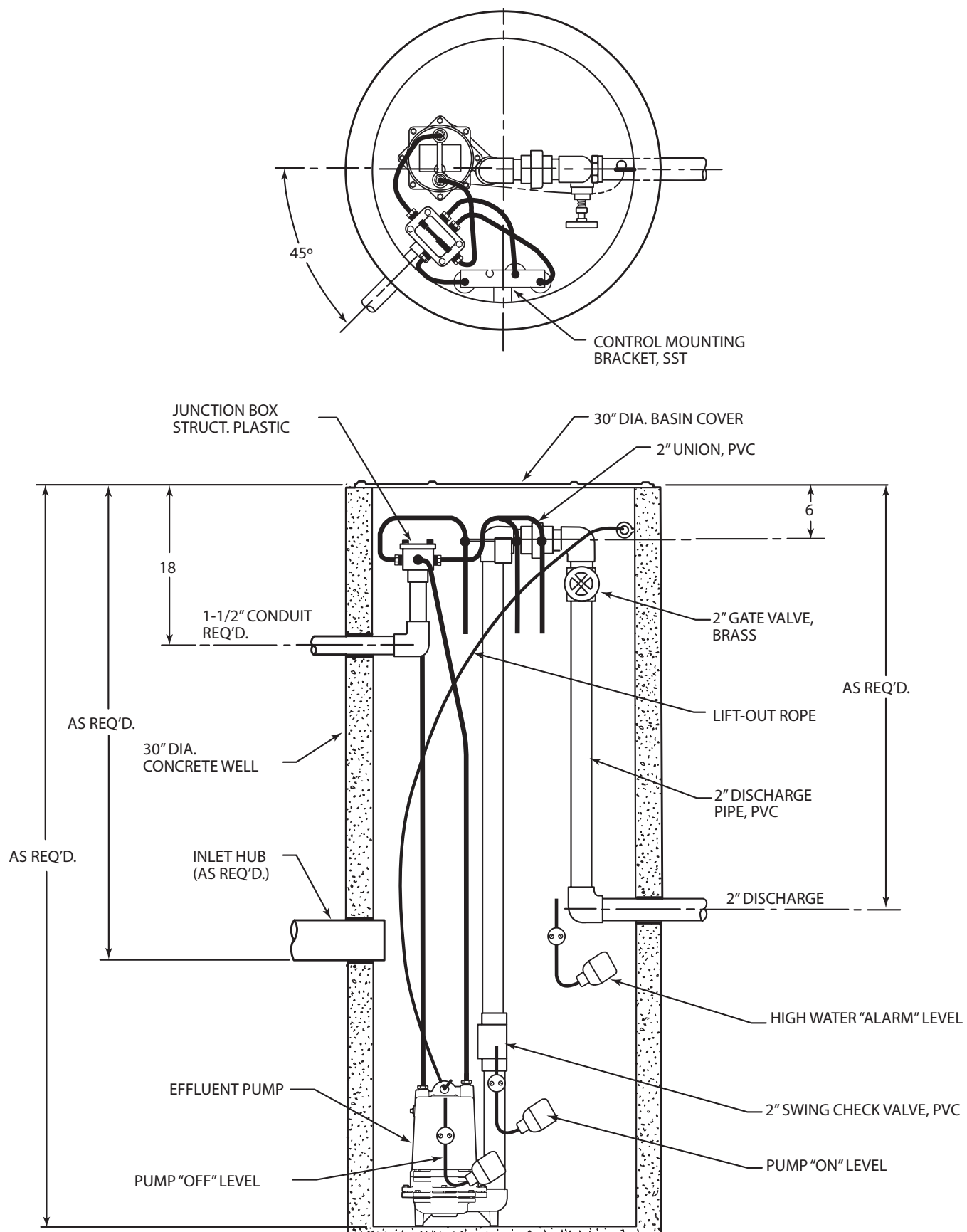
DIAGRAMS

30" Diameter Simplex SHEF50S/SHEF100S 1/2 HP & 1 HP with Rail System



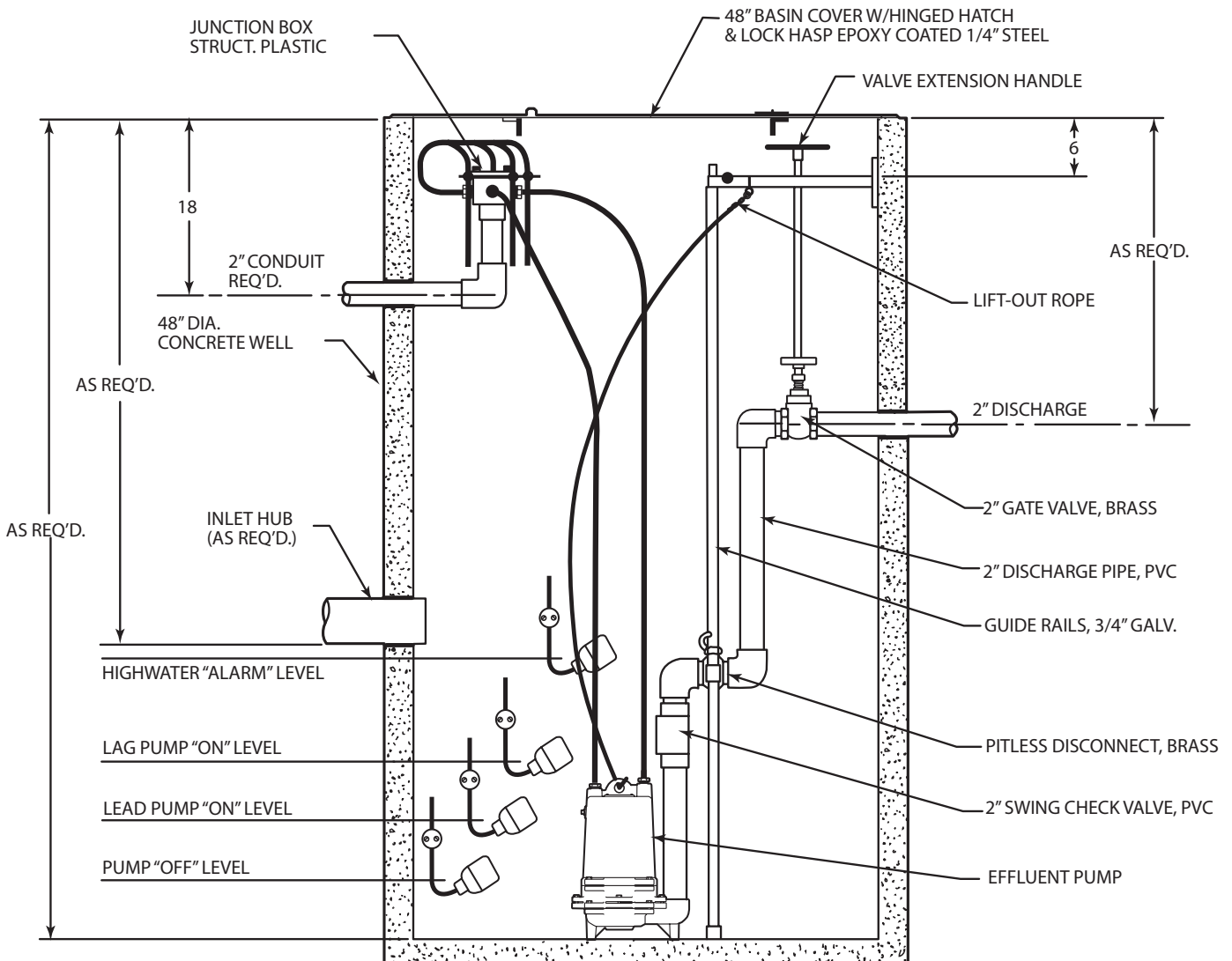
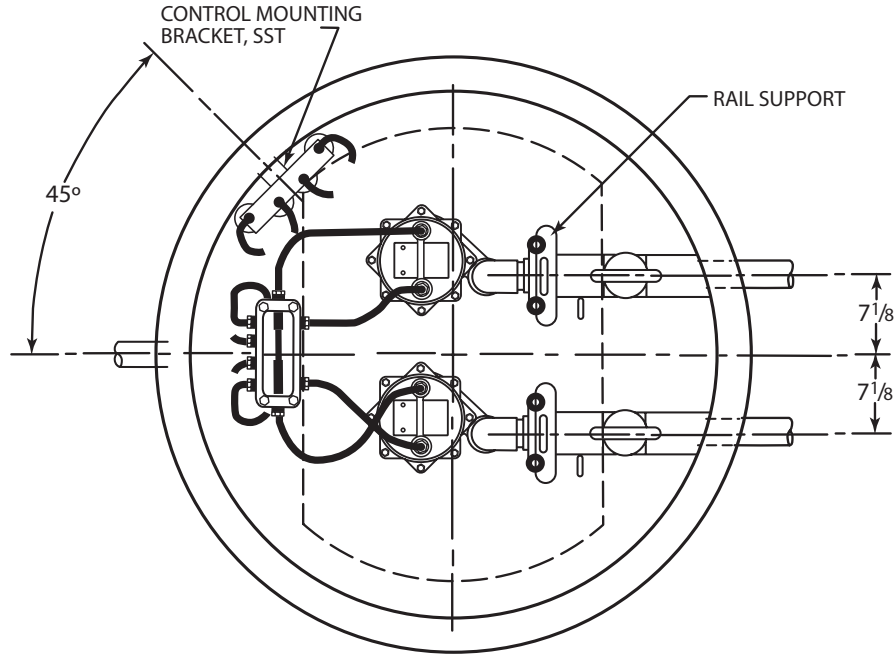
DIAGRAMS

30" Diameter Simplex Union System SHEF50S/SHEF100S 1/2 HP & 1 HP



DIAGRAMS

48" Diameter Duplex SHEF50S/SHEF100S 1/2 HP & 1 HP



MAINTENANCE

BEFORE DISMANTLING PUMP FOR REPLACEMENT OF PARTS

Clean pump thoroughly. Knock off all scale and deposits. Use sandblast if possible. Submerge complete unit in dilute bleach solution for one hour before disassembly.

TO REPLACE CAPACITORS ONLY

All of the single phase motors are of the permanent split capacitor type and have no relays or starting switch. They have only a capacitor that is in the circuit for both starting and running conditions.

1. Remove oil fill plug near the top of the motor and pour the oil out.
2. Loosen the pug nuts around the cords until they are loose enough to push the cords down inside of the motor housing.
3. Remove the four bolts from the motor housing and bump the housing with a plastic hammer to loosen. Lay the pump on its side.
4. Remove the housing carefully to be sure that enough cord is pushed into the housing to create no tension on the cords.
5. Slide motor housing up far enough to expose the capacitor and to be able to lay the housing down.
6. Disconnect wiring from capacitor and loosen capacitor clamp and slide out capacitor. Replace with new capacitor, tighten and re-connect. Wiring diagram is given in these instructions.
7. Check all wiring connectors to be sure they are secure.
8. Be sure tetraseal gasket is in place.
9. Slide motor housing back onto pump while pulling the cords out slowly. Assemble the motor housing with the four bolts.
10. Re-assemble cord nuts. Be sure washers are seated and cords are pulled up to stop against the washers. Tighten nuts securely.
11. Put pump upright and refill motor with refined paraffinic transformer oil, ¹Shellflex™ 2210 or equivalent. DO NOT OVER FILL WITH OIL. With pump upright fill oil to bottom of oil fill tapping. Replace oil fill plug
¹Shell Oil Company, Texas
12. Be sure pump turns freely before connecting to power. Turn pump on side and turn impeller, using screwdriver in slotted shaft. Plug pump into receptacle to test operation. Pump must run quiet and free of vibration.

TO REPLACE POWER CORD

Remove motor housing as described above. Disconnect the push-together terminals and remove the ground screw from the power cord if being replaced.

Completely unscrew cord bushing to be replaced and remove cord assembly from housing. Be sure remaining terminals are secure on the wires.

Replace with proper cord with fittings. Push cord into the motor housing far enough to make proper connections. Reconnect ground wire if replacing power cord and securely connect the wires correctly. See wiring diagram in these instructions.

Assemble cords and motor housing as described in **Capacitor Replacement**. Fill with oil as noted and be sure pump turns freely before connecting to power.

TO REPLACE MOTOR STATOR AND SHELL

1. Remove motor housing as described above.
2. Disconnect all leads from power and seal leak cords and ground wire and set pump upright.
3. Loosen the four long screw holding the motor and remove slowly. If unit has seal leak probes, be sure to feed the wires through the slots as the motor is being removed.
4. Either remove previous capacitor and clamp from old motor and assemble onto new stator and shell or replace with a new capacitor and assemble the two capacitor leads per wiring diagram.
5. Position bearing spring washer on top of upper ball bearing.
6. Tighten terminal screws of seal leak probes and feed wires through the motor slots.
7. Position the "stator with shell" into place and line up screws with the bosses and tighten the (4) long screws. Extend probe wires out through the slots. Lay unit down in line with motor housing.
8. Be sure pump turns freely with screwdriver in impeller end of shaft.
9. Reconnect all terminals securely per wiring diagram.
10. Be sure tetraseal gasket is in place.
11. Reassemble motor housing and fill with oil as noted above in capacitor replacement.

On three phase motors always check unit for proper rotation. With pump on its side apply power by turning on, then off, quickly. Impeller must turn counter-clockwise when looking into the impeller inlet. If not, interchange any two leads in the control box.

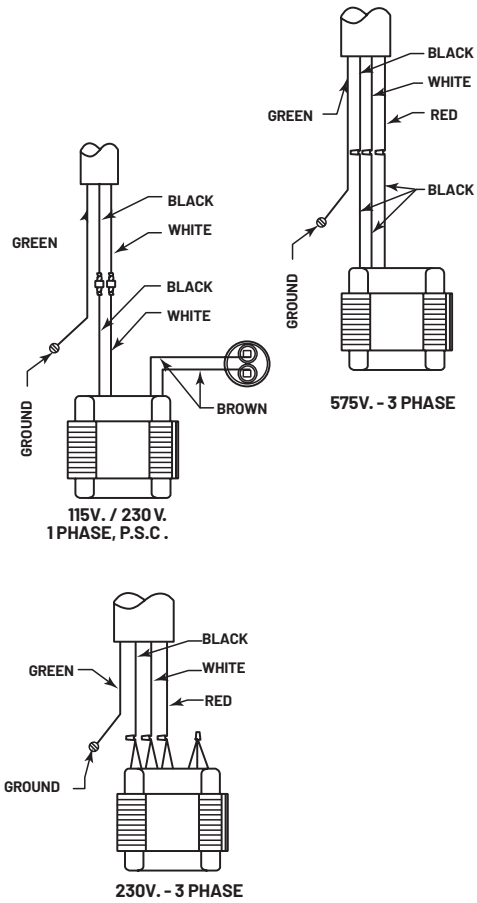
SHAFT SEAL REPLACEMENT

1. Remove plugs in motor housing and drain oil.
2. Remove four bolts holding the volute case and bump with a plastic hammer to loosen and remove case.
3. Hold impeller and unscrew impeller locking screw. Turn counterclockwise to loosen.
4. Pry off seal bellows and ceramic seat. Break seats if necessary to get out since they must be replaced with new parts. It is not necessary to disassemble further.
5. NEVER USE OLD SEAL PARTS - USE ONLY COMPLETELY NEW SEALS.

MAINTENANCE

6. Remove snap ring with snap ring pliers. Pry off upper seal bellows and ceramic seat.
7. If no water has entered motor housing (check winding with ohmmeter or megger) wipe seal chambers thoroughly and replace seals. Clean seal faces and use light oil on face before installing bellows part of seal.
8. Check HUVA cup seal in volute case inlet. If worn, replace.
9. Be sure tetraseal gasket is in position (replace if worn) and reassemble.
10. Replace oil in motor housing and seal chamber. Use only Hydromatic submersible oil.
11. Be sure pump turns freely before connecting to power. After connecting, check for proper rotation.

WIRING DIAGRAM



3 PHASE DUAL VOLTAGE WINDING

VOLTAGE	LEADS			
	BLACK	WHITE	RED	TOGETHER
230	1 & 7	2 & 8	3 & 9	4 & 5 & 6
460	1	2	3	4 & 7, 5 & 8, 6 & 9

SPECIFICATIONS

SPECIFICATIONS

- ◆ Relay: SSAC Inc. #LLC44A5A
- ◆ Socket: Standard 8-pin plug-in type

If vvv panel is used see below.

Required Panel: CMEP(SL)-11S, -11SW, -11D, or -11DW

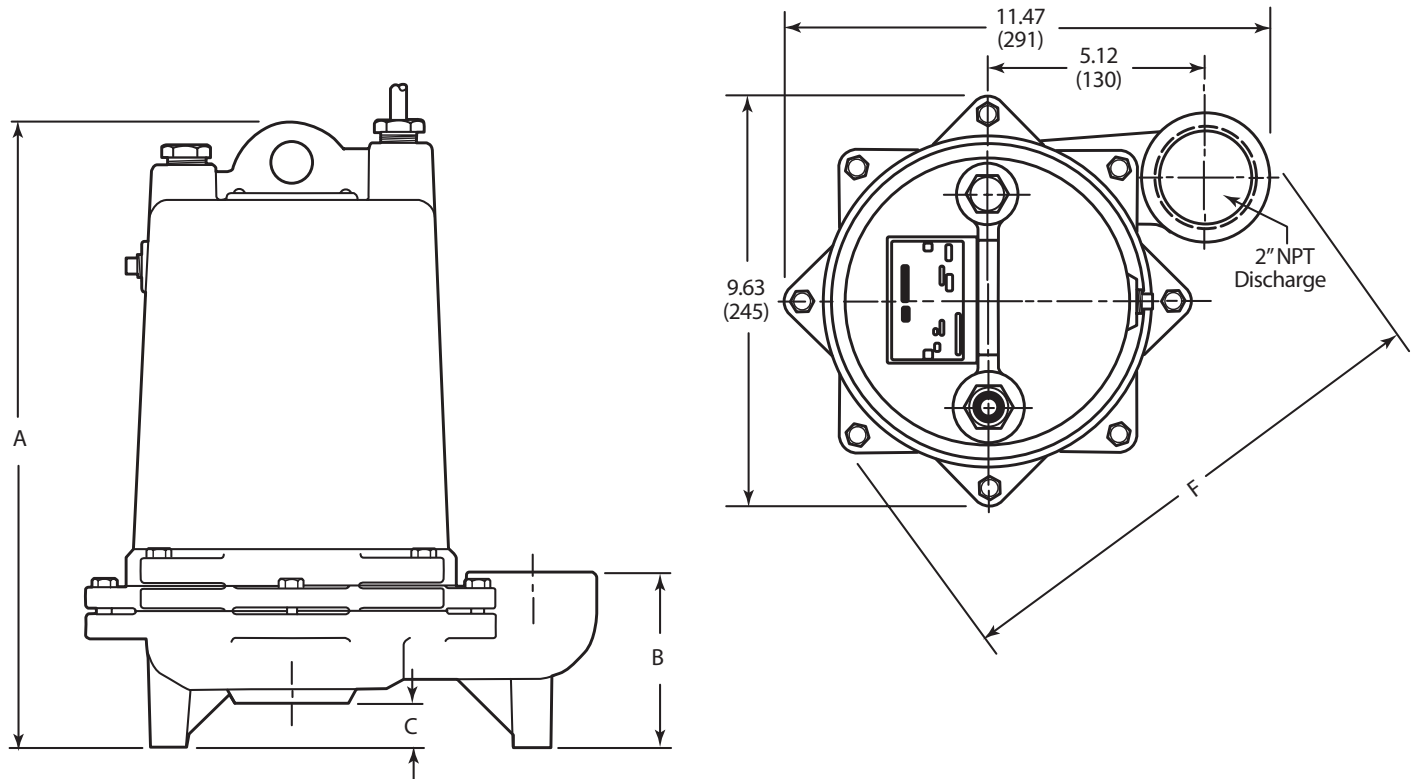
Pumps:

- ◆ SHEF100SA2 20
- ◆ SHEF100SM2 20
- ◆ SHEF100SM3 20
- ◆ SHEF100SM5 20
- ◆ SHEF50SA1 20
- ◆ SHEF50SA2 20
- ◆ SHEF50SM1 20
- ◆ SHEF50SM2 20
- ◆ SHEF50SM5 20

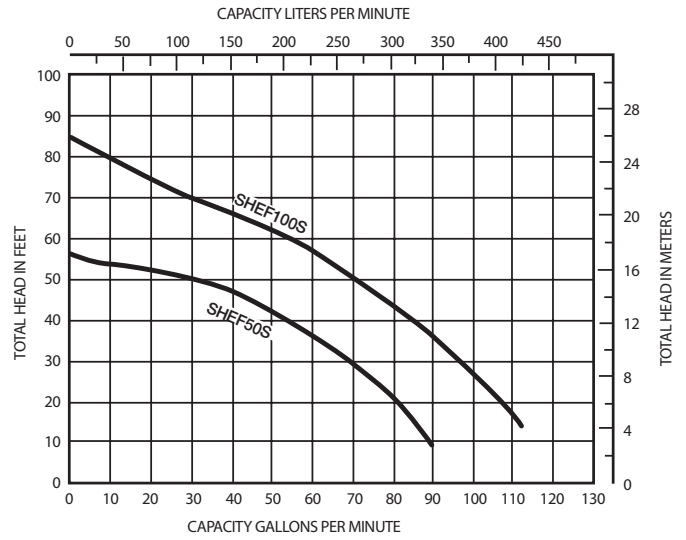
DIMENSIONS

SERIES DIMENSIONS

MODEL SERIES	INCHES (MILIMETERS)			
	A	B	C	F
SHEF50S	16.8 (427)	4.09	1.03	12.13
SHEF100s	16.8 (427)	4.00	1.06	12.5



PERFORMANCE CURVE



SPECIFICATIONS

MOTOR DATA CHART

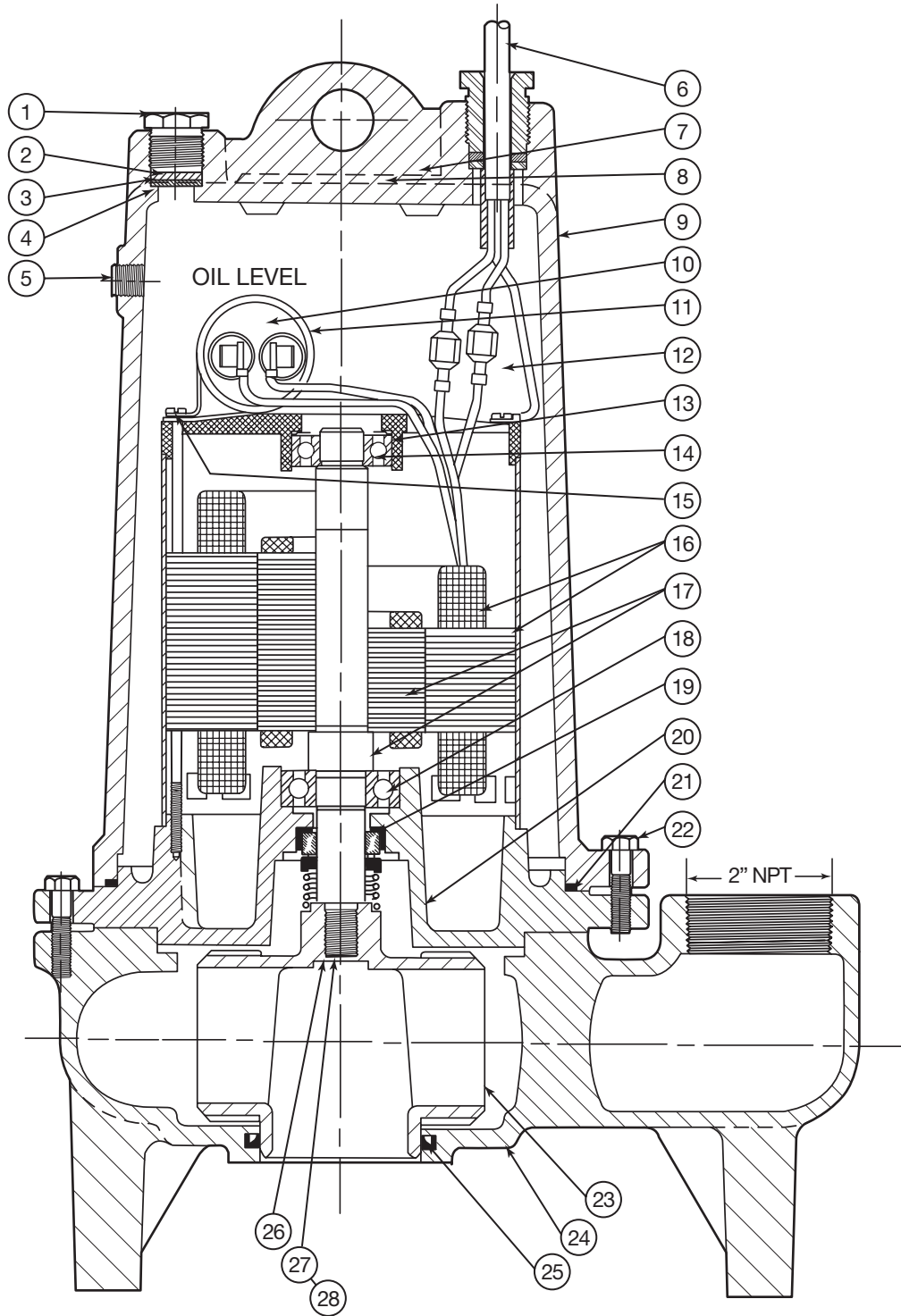
H.P.	SPEED	VOLTS	PHASE	STACK HEIGHT	WINDING RESISTANCE IN OHMS			MAX. AMPS	LOCKED ROTOR AMPS
					MAIN BLACK TO WHITE	START - 1Ø BRN. TO BRN. OR PURPLE	WHITE TO RED		
						BLACK TO RED - 3Ø			
1/2	3450	115	1	1-5/8	.9/.8	14.7	-	12.1	29.6
		230			9.8	19.7		6.0	15.0
1		230			3.0/2.6	16/14		9.3	19.0
		208/230	3	2-1/2	5.3	5.3	5.3	6.6/6.0	29.0
		575			33.1	33.1	33.1	2.4	11.6

PUMP SPECIFICATIONS

MODEL NUMBER	ENGINEERING #	HP	VOLTS	PHASE/ CYCLES	DISCHARGE SIZE	SWITCH TYPE	APPROX CORD LENGTH	WT. LBS
SHEF100SA2 20	528680007	1	230	1/60	2"	Manual	20'	83
SHEF100SM2 20	528680017	1	230	1/60	2"	Manual	20'	83
SHEF100SM3 20	528680027	1	230	3/60	2"	Manual	20'	83
SHEF100SM5 20	528680047	1	575	3/60	2"	Manual	20'	83
SHEF50SA1 20	528670007	1/2	115	1/60	2"	Manual	20'	73
SHEF50SA2 20	528670027	1/2	230	1/60	2"	Manual	20'	74
SHEF50SM1 20	528670017	1/2	115	1/60	2"	Manual	20'	73
SHEF50SM2 20	528670037	1/2	230	1/60	2"	Manual	20'	74
SHEF50SM5 20	528670067	1/2	575	3/60	2"	Manual	20'	74

PAGE INTENTIONALLY LEFT BLANK

REPAIR PARTS LIST



REPAIR PARTS LIST

REF.	DESCRIPTION	QTY.	PART NUMBERS
1	Nut, cord plug, solid	1	25341A002
2	Washer, 1/32" Thk.	1	05030A234
3	Gasket, Rubber	1	05014A193
4	Washer, 3/32" Thk.	1	05030A235
5	Plug, 1/4" pipe	1	05022A009
6	Cord, Power	1	See Chart
7	Screw, drive	2	05160A004
8	Name Plate	1	N/A
9	Housing, Motor	1	25327D000
10	Capacitor (1Ph only)	1	See Chart
11	Clip, capacitor (1 Ph only)	1	See Chart
12	Oil, Transformer	.8-1 gal	11009A006
12A	Connectors (3 Ph only)	3-6	15781A001
13	Washer, bearing	1	19331A005
14	Bearing, ball, upper	1	08565A013
15	Screw, st, #10 x 3/8	2	09822A032
16 & 17	Stator, Rotor shaft with shell	1	See Chart
18	Bearing, ball, lower	1	08565A022
19	Seal, shaft	1	25370A000
20	Plate, brg & seal	1	25367D000
21	Gasket, tetraseal, 7x6-3/4x1/8	1	05014A181
22	Screw, cap, 5/16 x 1-1/4	8	19100A012
23	Impeller	1	See Chart
24	Case, volute	1	25357D000
25	Cup, U, HUVA	1	22835A005
26	Washer, Impeller Retainer	1	05030A242
27	Screw, Machine #10 x 3/8	1	06106A042
28	Sealant	1	14550A001

ITEM NUMBER			6	10	11	16 & 17	23	
HP	VOLTS	PH	POWER CORD W/PLUG	POWER CORD NO PLUG	CAPACITOR	CAPACITOR CLIP	STATOR ROTOR & SHAFT ASS'Y	IMPELLER PLASTIC
1/2	115	1	25338B004	25338B006	23839A000	20333A006	25484D100	25333B025
	230		25484D101					
1	230	1	25338B001	25338A002	23839A000	20333A004	25484D105	25348B010
	230	3		25338B003			25484D106	
	575			25484D107				

STANDARD LIMITED WARRANTY

STANDARD LIMITED WARRANTY

Pentair Hydromatic® warrants its products against defects in material and workmanship for a period of 12 months from the date of shipment from Pentair Hydromatic or 18 months from the manufacturing date, whichever occurs first – provided that such products are used in compliance with the requirements of the Pentair Hydromatic catalog and technical manuals for use in pumping raw sewage, municipal wastewater or similar, abrasive-free, noncorrosive liquids.

During the warranty period and subject to the conditions set forth, Pentair Hydromatic, at its discretion, will repair or replace to the original user, the parts that prove defective in materials and workmanship. Pentair Hydromatic reserves the right to change or improve its products or any portions thereof without being obligated to provide such a change or improvement for prior sold and/or shipped units.

Start-up reports and electrical schematics may be required to support warranty claims. Submit at the time of start up through the Pentair Hydromatic website: <http://forms.pentairliterature.com/startupform/startupform.asp?type=h>. Warranty is effective only if Pentair Hydromatic authorized control panels are used. All seal fail and heat sensing devices must be hooked up, functional and monitored or this warranty will be void. Pentair Hydromatic will cover only the lower seal and labor thereof for all dual seal pumps. Under no circumstance will Pentair Hydromatic be responsible for the cost of field labor, travel expenses, rented equipment, removal/reinstallation costs or freight expenses to and from the factory or an authorized Pentair Hydromatic service facility.

This limited warranty will not apply: (a) to defects or malfunctions resulting from failure to properly install, operate or maintain the unit in accordance with the printed instructions provided; (b) to failures resulting from abuse, accident or negligence; (c) to normal maintenance services and parts used in connection with such service; (d) to units that are not installed in accordance with applicable local codes, ordinances and good trade practices; (e) if the unit is moved from its original installation location; (f) if unit is used for purposes other than for what it is designed and manufactured; (g) to any unit that has been repaired or altered by anyone other than Pentair Hydromatic or an authorized Pentair Hydromatic service provider; (h) to any unit that has been repaired using non factory specified/OEM parts.

Warranty Exclusions: PENTAIR HYDROMATIC MAKES NO EXPRESS OR IMPLIED WARRANTIES THAT EXTEND BEYOND THE DESCRIPTION ON THE FACE HEREOF. PENTAIR HYDROMATIC SPECIFICALLY DISCLAIMS THE IMPLIED WARRANTIES OF MERCHANTABILITY AND FITNESS FOR ANY PARTICULAR PURPOSE.

Liability Limitation: IN NO EVENT SHALL PENTAIR HYDROMATIC BE LIABLE OR RESPONSIBLE FOR CONSEQUENTIAL, INCIDENTAL OR SPECIAL DAMAGES RESULTING FROM OR RELATED IN ANY MANNER TO ANY PENTAIR HYDROMATIC PRODUCT OR PARTS THEREOF. PERSONAL INJURY AND/OR PROPERTY DAMAGE MAY RESULT FROM IMPROPER INSTALLATION. PENTAIR HYDROMATIC DISCLAIMS ALL LIABILITY, INCLUDING LIABILITY UNDER THIS WARRANTY, FOR IMPROPER INSTALLATION. PENTAIR HYDROMATIC RECOMMENDS INSTALLATION BY PROFESSIONALS.

Some states do not permit some or all of the above warranty limitations or the exclusion or limitation of incidental or consequential damages and therefore such limitations may not apply to you. No warranties or representations at any time made by any representatives of Pentair Hydromatic shall vary or expand the provision hereof.

Warranty Rev. 09/18



1101 Myers Parkway
Ashland, Ohio 44805
Ph: 855.274.8947

490 Pinebush Road
Unit 4
Cambridge, Ontario, Canada N1T 0A5
Ph: 800.363.7867
Fx: 888.606.5484

pentair.com

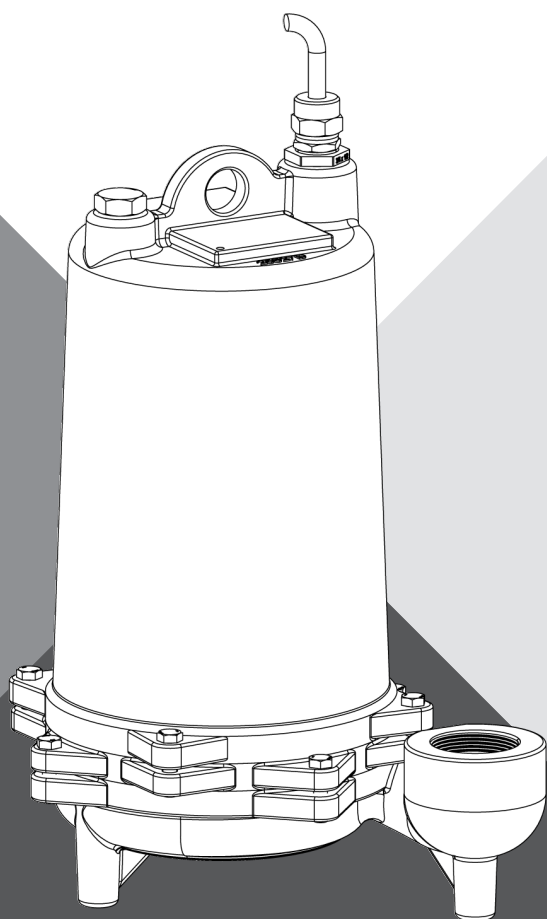
All indicated Pentair trademarks and logos are property of Pentair. Third party registered and unregistered trademarks and logos are the property of their respective owners. Because we are continuously improving our products and services, Pentair reserves the right to change specifications without prior notice. Pentair is an equal opportunity employer.

©2022 Pentair. All Rights Reserved.

056255661(02-01-22)

POMPES D'EFFLUENT SUBMERSIBLES

SHEF50S ♦ SHEF100S



MANUEL D'INSTALLATION ET D'UTILISATION


pentair.com


TABLE DES MATIÈRES


Consignes de sécurité	19
Description	20
Installation.....	21
Diagramme	22
Entretien	25
Spécifications	27
Liste des pièces de rechange	30
Garantie.....	32


CONSIGNES DE SÉCURITÉ

SYMBOLES DE SÉCURITÉ

 Ceci est le symbole d'alerte de sécurité. Si vous voyez ce symbole sur votre pompe ou dans ce guide, cherchez l'un des mots d'avertissement ci-dessous et soyez attentif aux risques de blessures corporelles.


 **DANGER** signale un danger qui provoquera la mort, des blessures corporelles graves ou des dommages matériels importants s'il est ignoré.

 **WARNING** signale un danger qui peut provoquer la mort, des blessures corporelles graves ou des dommages matériels importants s'il est ignoré.


 **CAUTION** signale un danger qui provoquera ou peut provoquer des lésions corporelles légères ou des dommages matériels, s'il est ignoré.

Le mot **REMARQUE** indique des instructions spéciales non liées aux dangers.

AVERTISSEMENT CONCERNANT LA PROPOSITION 65 DE LA CALIFORNIE


 **WARNING** Ce produit et les accessoires connexes contiennent des produits chimiques considérés par l'État de la Californie comme pouvant causer le cancer, des anomalies congénitales ou d'autres problèmes liés au système reproducteur.

SÉCURITÉ GÉNÉRALE

- ◆ Lisez attentivement et suivez toutes les instructions de sécurité se trouvant dans le présent guide et sur l'unité elle-même.
- ◆  **CAUTION** Ne touchez pas un moteur en marche. Les moteurs modernes peuvent fonctionner à température élevée. Pour éviter les brûlures lors de l'entretien de la pompe, laissez-la refroidir pendant 20 minutes après l'arrêt avant de la manipuler.
- ◆ Suivez tous les codes et règlements locaux et nationaux applicables.
- ◆ Conservez les étiquettes de sécurité en bon état; remplacez-les si elles sont manquantes ou endommagées.
- ◆ **NE FAITES PAS** fonctionner la pompe à sec. Un fonctionnement à sec peut surchauffer la pompe (et causer des brûlures à quiconque la manipule) et annulera la garantie.
- ◆ Portez des lunettes de sécurité en tout temps lorsque vous travaillez avec des pompes.
- ◆ Gardez la zone de travail propre, dégagée et adéquatement éclairée. Rangez tous les outils et les équipements inutilisés.

- ◆ **N'UTILISEZ PAS** cette pompe pour pomper des liquides inflammables. Ne jamais faire fonctionner cette pompe dans un environnement explosif. Un arc électrique provenant des balais du moteur, de l'interrupteur ou de la chaleur excessive d'un moteur mal réglé peut provoquer une explosion.

SÉCURITÉ ÉLECTRIQUE

 **DANGER TENSION DANGEREUSE. PEUT CAUSER UN CHOC ÉLECTRIQUE, DES BRÛLURES OU LA MORT.** Suivez les consignes de sécurité indiquées ci-dessous durant l'installation, le fonctionnement ou l'entretien de la pompe.

- ◆ **N'INSTALLEZ PAS** de pompe dans un endroit qualifié de dangereux par le National Electrical Code, NFPA 70 ou par le Code canadien de l'électricité.
- ◆ **NE MODIFIEZ PAS** le cordon ou la fiche. Lorsque vous utilisez un cordon et une fiche, utilisez uniquement une prise mise à la terre. Lors du câblage à une commande du système, branchez le conducteur de terre à la prise de masse du système.
- ◆ **NE PAS** immerger la fiche du cordon électrique.
- ◆ **N'UTILISEZ PAS** de rallonges. Elles posent un risque d'incendie et peuvent réduire suffisamment la tension pour interrompre le pompage ou endommager le moteur.
- ◆ **NE PAS** manipuler ou entretenir la pompe lorsqu'elle est branchée à l'alimentation.
- ◆ Branchez la pompe dans une prise à 3 fils avec mise à la terre. Lors du câblage de cette pompe, respecter tous les codes et ordonnances locaux en matière d'électricité et de sécurité, ainsi que le code électrique national le plus récent (NEC-ANSI/NFPA 70).
- ◆ Toutes les pompes disposent d'un FIL DE TERRE qui est relié à une vis dans le boîtier métallique du moteur. Ce fil va à la prise ou à la boîte de commande qui doit être raccordée à un élément extérieur AU SOL tel qu'une conduite d'eau en métal ou un PIEU DE TERRE enfoncé d'au moins 8 pi dans le sol.

LORSQUE LA PROTECTION CONTRE LE COURANT DE SURCHARGE EST FOURNIE PAR L'INSTALLATEUR : UTILISER AVEC UNE COMMANDE DE MOTEUR APPROUVÉE QUI CORRESPOND À L'ENTRÉE DU MOTEUR EN AMPÈRES DE PLEINE CHARGE AVEC UN OU PLUSIEURS ÉLÉMENTS DE SURCHARGE SÉLECTIONNÉS OU RÉGLÉS CONFORMÉMENT AUX INSTRUCTIONS DE LA COMMANDE.

SI LE MOTEUR COMPREND UNE PROTECTION CONTRE LE COURANT DE SURCHARGE : UTILISER AVEC UNE COMMANDE DE MOTEUR APPROUVÉE QUI CORRESPOND À L'ENTRÉE DU MOTEUR EN AMPÈRES DE PLEINES CHARGES.

DESCRIPTION

DESCRIPTION

Les pompes des séries SHEF50S et SHEF100S sont conçues pour le dosage des effluents, Pompage des effluents de fosses septiques (Septic Tank Effluent Pumping - S.T.E.P.) ou les applications normales de puisage et d'assèchement général où une pression plus élevée est nécessaire.

Lorsqu'elle est utilisée pour des applications de dosage des effluents ou de pompage des effluents de fosses septiques, la pompe doit être installée dans un réservoir ou un compartiment séparé, du côté de l'évacuation de la fosse septique. **N'installez jamais la pompe dans un réservoir où la boue s'accumule.**

Ces pompes sont offertes en monophasé et en triphasé. Toutes les unités de phase et les installations duplex doivent être utilisées avec une boîte de commande. Tous les cordons d'alimentation et les cordons de détection de fuites aux joints sont d'une longueur de 20 pi.

La roue modèle SHEF50S est de type fermé à deux pales pour traiter les solides sphériques de 3/4 po et est fabriquée de thermoplastique de haute performance. Toutes les pompes comprennent un raccordement d'évacuation de 2 po NPT.

Ces pompes NE SONT PAS conçues pour les piscines ou les fontaines.

POCHES D'AIR

Une pompe est bloquée par des poches d'air si l'eau emprisonne l'air dans la pompe et ne peut en sortir, empêchant ainsi la pompe de fonctionner.

Dans les installations de ce type, un trou de 1/8 po doit être percé dans le tuyau d'évacuation au-dessus de l'évacuation de la pompe. Un clapet de non-retour doit être installé de 12 à 18 po au-dessus de l'évacuation de la pompe. Ne placez pas le clapet de non-retour directement dans l'ouverture de l'évacuation de la pompe; veuillez suivre les spécifications du code local.

EMBALLAGE

Chaque pompe est emballée séparément dans un carton et identifiée par un numéro de catalogue et le numéro d'ingénierie Hydromatic.

COMMANDES DE NIVEAU

Toutes les pompes doivent utiliser des interrupteurs de contrôle de niveau étanches pour un fonctionnement automatique. Les commandes MLC et MFCL disposent d'interrupteurs étanches d'une puissance nominale de 1 HP à 230 volts. Les pompes monophasées simplex peuvent être automatisées en installant des commandes MFCL ou MFS. Ces interrupteurs ont un niveau de soutirage de 8 à 10 po et peuvent être utilisés jusqu'à 1 HP.

Un cordon enfichable peut être utilisé avec toutes les pompes monophasées. Ce cordon dispose d'une broche de terre qui s'enfiche dans une prise à la terre. La prise à la terre ne peut pas être utilisée dans le puisard ou le bassin humide en raison du DANGER de fuite de courant. Des boîtes de connexion étanches doivent être utilisées dans les puisards ou les bassins humides pour effectuer les connexions au cordon du moteur. La commande AWS-1 sert également de boîte de connexion étanche pour le branchement du cordon d'alimentation au cordon de la pompe.

CONCEPTION DES SYSTÈMES D'ÉGOUTS SOUS PRESSION

Hydromatic offre un LOGICIEL complet pour la conception de SYSTÈMES D'ÉGOUTS SOUS PRESSION. Il indique les dimensions des tuyaux à utiliser et le débit exact de n'importe quelle pompe ou groupe de pompes du système lorsqu'elles fonctionnent simultanément. Ce logiciel est offert sur disquette pour les ordinateurs IBM ou COMPATIBLES et est disponible pour les ingénieurs sur demande.

TYPE DE MOTEUR

Les moteurs disposent d'une carcasse 3/4, 1/2 et 1 HP monophasés ou triphasés, 60 Hertz, 3 450 tr/min et une isolation de classe B. Tous les moteurs monophasés sont de type PSC (condensateur auxiliaire permanent) avec protection intégrée contre les surcharges à l'enroulement et ne nécessitent pas d'interrupteur ou de relais de démarrage. Ces moteurs triphasés exigent un démarreur magnétique avec une protection de surcharge à trois branches. Tous les moteurs comprennent des roulements à billes supérieurs et inférieurs et sont refroidis et lubrifiés à l'huile.

⚠ WARNING Risque respiratoire. Les bassins et les réservoirs doivent être ventilés conformément aux codes de plomberie locaux. Ces pompes ne sont pas conçues pour être utilisées dans des endroits qualifiés de dangereux conformément à la norme NFPA 70 et NE PEUVENT PAS être installées dans de tels endroits.

- ◆ N'entrez jamais dans la chambre de la pompe après que les eaux usées ou les effluents ont été dans le bassin. Les eaux usées peuvent émettre des gaz de méthane, sulfure d'hydrogène et autres gaz qui sont très toxiques.

Hydromatic recommande d'installer les pompes d'effluents des séries SHEF50S et SHEF100S qui comprennent un système de retrait rapide. Le système de retrait rapide peut s'agir d'un raccord union ou d'un connecteur rapide si le boyau ou le tuyau d'évacuation est facilement accessible depuis la surface, ou bien d'un connecteur rapide de type système sur rail pour les installations plus profondes. Voir les plans d'installation pour les suggestions d'installation.

Le réservoir de dosage ou la chambre de pompage doit être construit en matériaux résistant à la corrosion et doit être capable de supporter toutes les charges internes et externes prévues. Il ne doit pas non plus permettre l'infiltration ou l'exfiltration. Le réservoir doit avoir des dispositions contre la flottaison. Les trous d'accès ou les couvercles doivent être de taille adéquate et être accessibles depuis la surface pour permettre l'installation et l'entretien du système. Les couvercles d'accès doivent être verrouillables ou suffisamment lourds pour empêcher le personnel non autorisé d'y accéder facilement. La capacité de rétention de la chambre de pompage doit être sélectionnée pour répondre aux conditions d'urgence.

Le tuyau d'évacuation doit être de la même taille que l'évacuation de la pompe (2 po) ou plus. Afin d'assurer une vitesse de fluide suffisante pour empêcher les solides résiduels de s'accumuler dans le tuyau d'évacuation, il est recommandé de maintenir un débit minimum de 2 pieds par seconde. (21 gal/min à travers un tuyau de 2 po et 46 gal/min à travers un tuyau de 3 po). Il est recommandé d'utiliser des tuyaux en PVC ou équivalent pour leur résistance à la corrosion.

INSTALLATION

Une soupape d'arrêt à plein débit (robinet-vanne ou soupape à bille) doit être installée afin de prévenir le refoulement d'effluents si la pompe doit être retirée pour l'entretien. Un clapet de non-retour doit être installé sur les systèmes d'égouts sous pressions et sur les autres systèmes lorsque les conditions le permettent pour prévenir le refoulement et réduire l'usure du système de la pompe.

Une alarme de niveau d'eau élevé doit être installée sur un circuit distinct depuis le circuit de la pompe. L'alarme doit être en mesure d'être testée pour vérifier son bon fonctionnement.

INSTRUCTIONS SPÉCIALES POUR LES POMPES TRIPHASÉES

- Hydromatic recommande que les pompes triphasées soient installées par un personnel qualifié.
- ⚠ WARNING Risque de choc électrique.** Ne retirez pas le cordon ou le protecteur de cordon. Ne connectez pas le conduit à la pompe.
- Les pompes triphasées sont toujours installées avec des boîtiers de commandes à démarreur magnétique et une protection de surcharge à trois branches. **N'ESSAYEZ PAS DE FAIRE FONCTIONNER LES POMPES TRIPHASÉES DIRECTEMENT SUR LA LIGNE.**
- Pour connecter la pompe :** Faites passer le fil de la pompe jusqu'au fond du boîtier de commande ou de la boîte de connexion appropriée pour enfermer les connexions d'épissure. Un trou doit être percé dans le boîtier de connexion pour faire passer les fils. Fermez l'alimentation au boîtier de connexion et connectez la ligne verte (fil de terre) à la cosse de mise à la terre. Connectez les fils noirs (alimentation) aux bornes du câble d'alimentation. Remarque : pour un boîtier de connexion typique de style CE, ces bornes sont marquées M1, M2 et M3. Assurez-vous que tous les fils sont à l'intérieur du boîtier de connexion et qu'ils ne risquent pas d'être pincés ou court-circuités lorsque la porte est fermée.
- Tous les moteurs triphasés peuvent fonctionner dans les deux sens. La ROTATION peut être modifiée en interchangeant deux fils conducteurs quelconques au niveau du démarreur magnétique. **ASSUREZ-VOUS QUE LE DISJONCTEUR EST FERMÉ AVANT D'EFFECTUER CETTE MODIFICATION.** Afin de vérifier la rotation est adéquate, faites fonctionner les pompes et vérifier le fonctionnement du débit. Si le débit et la hauteur sont faibles (voir les courbes de la pompe dans ce manuel), la rotation est incorrecte. Avec les pompes duplex, vérifier le fonctionnement des deux pompes.
- Toutes les roues de pompe, qu'elles soient monophasées ou triphasées, doivent tourner dans le sens inverse des aiguilles d'une montre lorsqu'on regarde l'entrée de la pompe. Si vous n'est pas certain de la rotation, **FERMEZ L'ALIMENTATION** et soulevez la pompe du bassin en gardant le cordon connecté et placez-la sur le côté de façon à voir la roue. Allumez le courant et démarrez la pompe en utilisant la position manuelle de l'interrupteur H-O-A. Allumer et éteindre rapidement de façon à voir la côte de la roue. **NE JAMAIS METTRE VOTRE MAIN OU VOS DOIGTS DANS LA ROUE.** Interchangez deux fils de ligne L au niveau du démarreur magnétique pour changer la rotation.

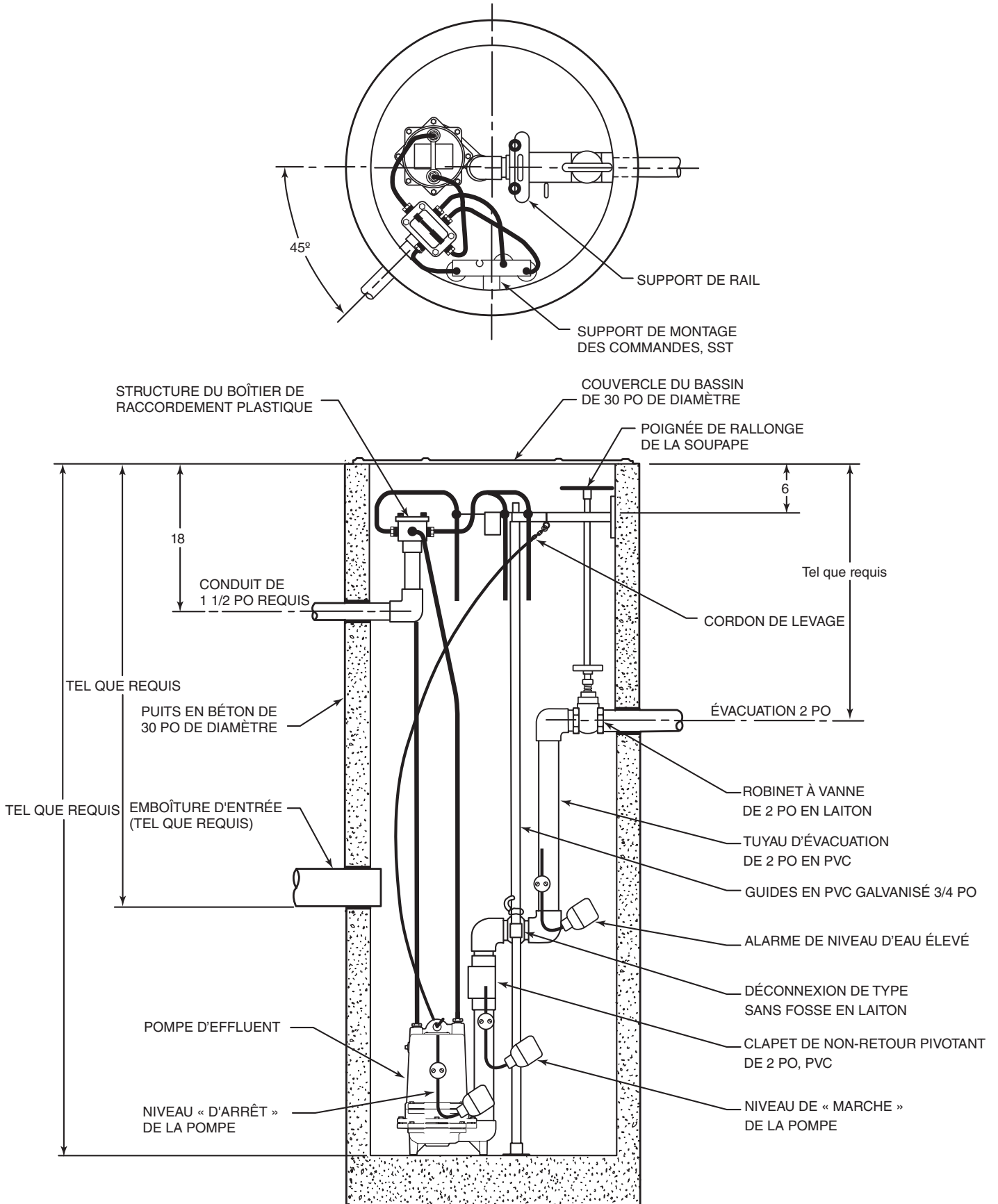
POINTS À VÉRIFIER SI LA POMPE NE FONCTIONNE PAS OU NE FONCTIONNE PAS CORRECTEMENT

- La pompe ne fonctionne pas et ne démarre pas quand l'eau monte dans le réservoir.
 - Vérifiez si un fusible a sauté ou si un disjoncteur a été déclenché.
 - Vérifiez si l'interrupteur à niveau est défectueux.
 - Si un panneau de commande est utilisé, assurez-vous que l'interrupteur H-O-A est à la position automatique. Si elle ne fonctionne pas, mettez l'interrupteur à la position manuelle et si la pompe fonctionne, cela indique que le problème se situe dans le système électrique automatique. Faites vérifier le système électrique par un ÉLECTRICIEN.
 - Vérifiez si le moteur est brûlé. Parfois, la foudre peut endommager un moteur même s'il est protégé contre la foudre.
 - Dans le cas où des cordons enfichables sont utilisés, s'assurer que les lames de contact sont propres et de manière à établir un bon contact. **N'UTILISEZ PAS DE CORDONS ENFICHABLES À L'INTÉRIEUR D'UN PUISARD OU D'UN Puits HUMIDE.**
 - La bille ou le poids de contrôle du niveau peut être coincé sur le côté du bassin. Assurez-vous que la bille ou le poids flotte librement.
- La pompe fonctionne, mais ne procure pas de débit.
 - Vérifiez s'il y a des poches d'air. Démarrez et arrêtez la pompe plusieurs fois; si cela n'aide pas, il peut être nécessaire de desserrer un raccord union dans la conduite d'évacuation pour libérer les poches d'air.
 - Le clapet de non-retour pourrait être installé à l'envers. Vérifiez l'indicateur de débit sur le corps de la soupape. Vérifiez le clapet antiretour. Il pourrait être fermé.
 - Vérifiez l'élévation verticale. Elle est peut-être plus élevée que la capacité de la pompe. (Voir la courbe de la pompe).
 - L'entrée de la pompe peut être bloquée. Enlevez la pompe pour vérifier.

⚠ WARNING Risque de choc électrique. Débranchez toujours les cordons d'alimentation ou fermez tous les disjoncteurs principaux et de dérivation avant de faire tout travail sur la pompe. Si le panneau de commande se trouve à distance de la pompe, débranchez les fils conducteurs du moteur afin que personne ne puisse remettre le disjoncteur en marche. Si le moteur est triphasé, identifiez les fils conducteurs afin de les replacer dans le même ordre.

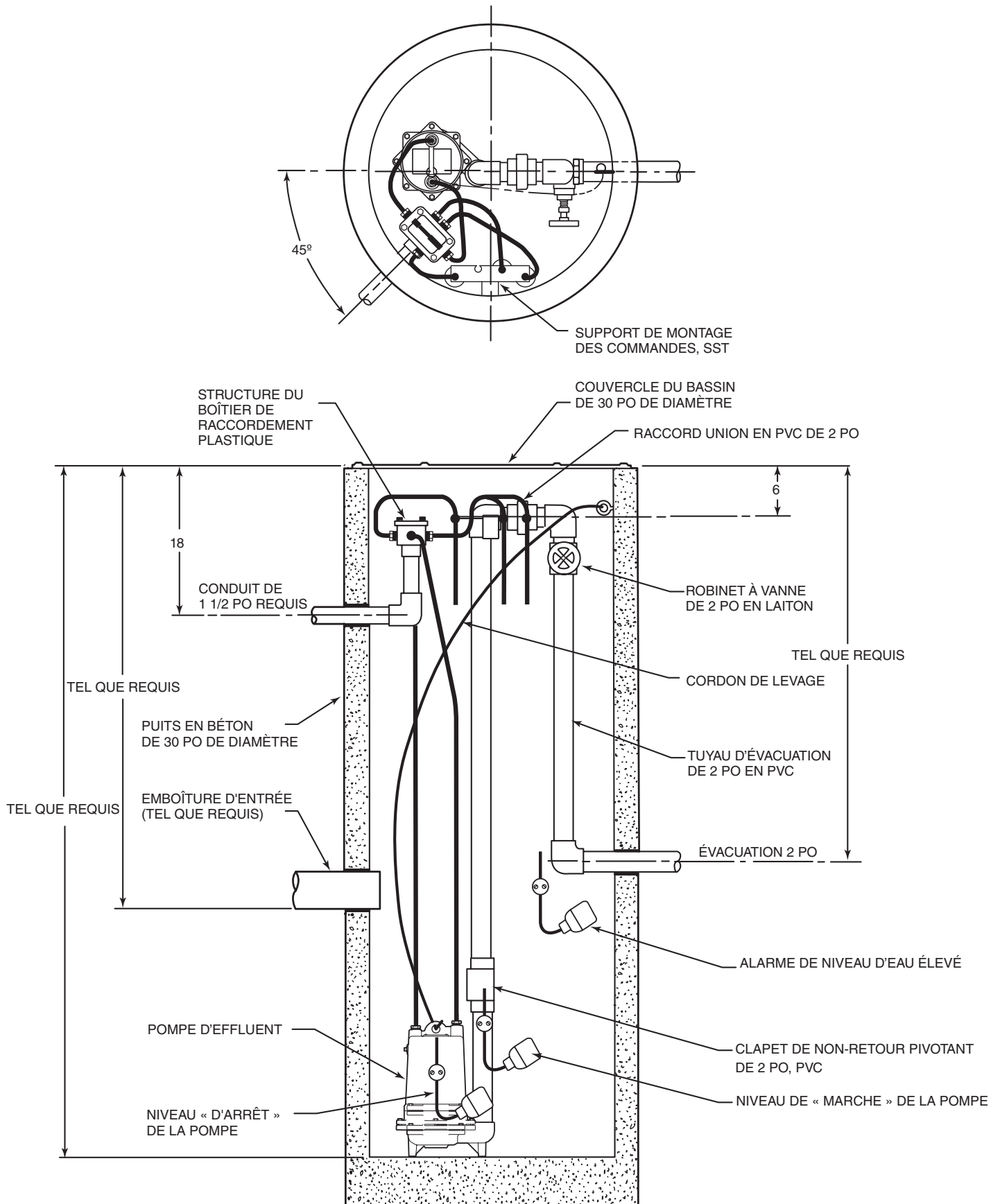
DIAGRAMMES

Simplex, diamètre de 30 po SHEF50S/SHEF100S 1/2 HP et 1 HP avec système sur rail

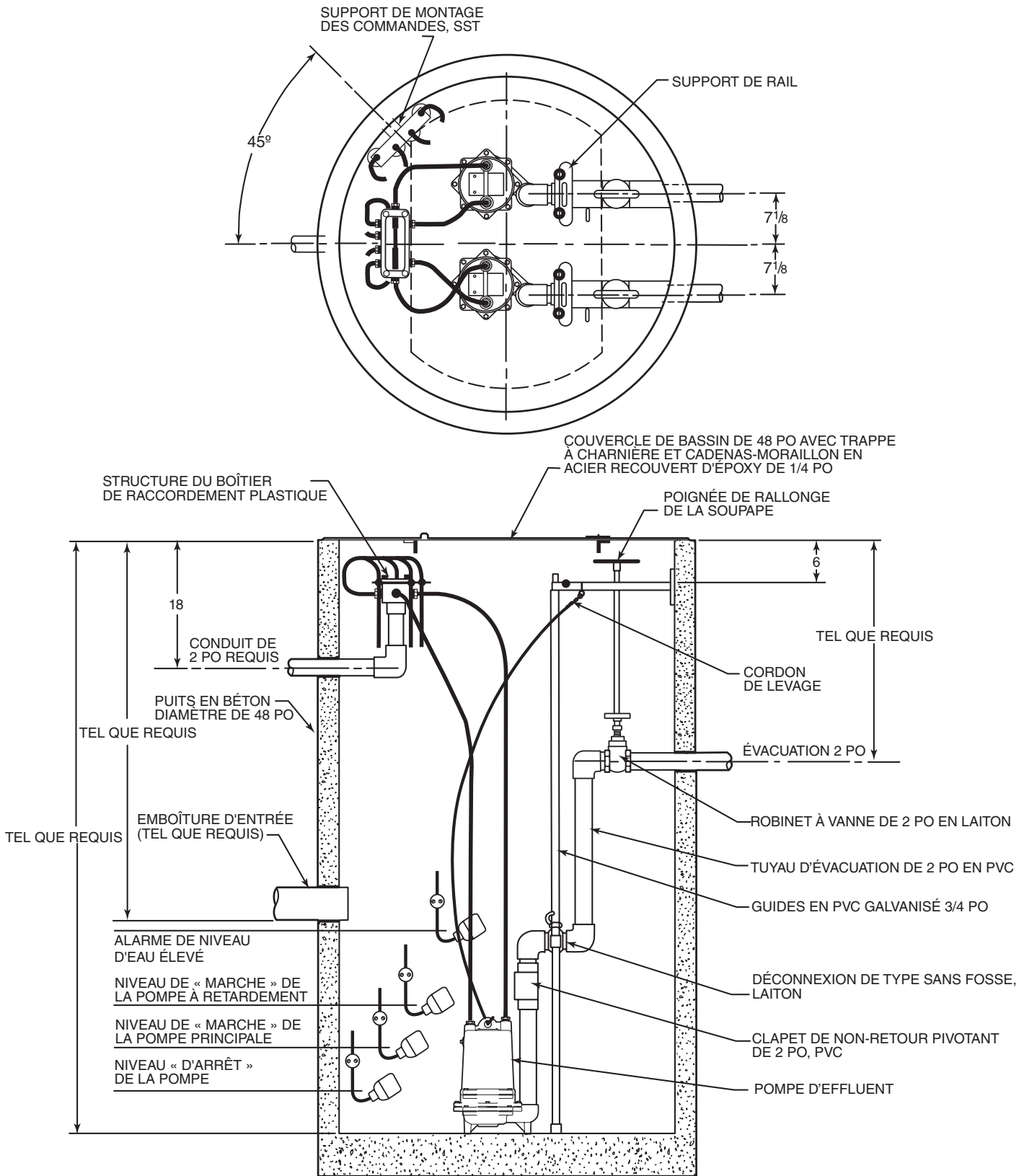


DIAGRAMMES

Simplex, diamètre de 30 po, SHEF50S/SHEF100S 1/2 HP et 1 HP avec système de raccord union



Duplex, diamètre de 48 po, SHEF50S/SHEF100S 1/2 HP et 1 HP



ENTRETIEN

AVANT DE DÉMONTER LA POMPE POUR LE REMPLACEMENT DES PIÈCES

Nettoyez la pompe soigneusement. Enlevez tout le tartre et les dépôts. Utilisez une sableuse si possible. Submergez toute la pompe dans une solution désinfectante (javellisant au chlore) pendant au moins une heure avant de la démonter.

POUR REMPLACER UNIQUEMENT LES CONDENSATEURS

Tous les moteurs monophasés sont du type à condensateurs auxiliaires permanents et n'ont pas de relais ni d'interrupteur de démarrage. Ils n'ont qu'un condensateur qui est dans le circuit pour les modes de démarrage et de fonctionnement.

1. Retirez le bouchon de remplissage d'huile situé près du haut du moteur et versez l'huile.
2. Desserrez les écrous autour des cordons jusqu'à ce qu'ils soient suffisamment desserrés pour pousser les cordons vers le bas à l'intérieur du boîtier du moteur.
3. Retirez les quatre boulons du boîtier du moteur et frapper le boîtier avec un marteau en plastique pour le desserrer. Posez la pompe sur le côté.
4. Retirez le boîtier avec précaution pour vous assurer que suffisamment de cordon est poussé dans le boîtier afin de ne pas créer de tension sur le cordon.
5. Faites glisser le boîtier du moteur vers le haut suffisamment loin pour exposer les condensateurs et pouvoir poser le boîtier.
6. Débranchez le câblage du condensateur, desserrez la pince du condensateur et faites glisser le condensateur vers l'extérieur. Le remplacer par un nouveau condensateur, resserrez et reconnectez. Un schéma de câblage se trouve dans les instructions.
7. Vérifiez tous les raccords de câblage pour vous assurer qu'ils sont bien fixés.
8. Assurez-vous que le Tetraseal (joint torique) est en place.
9. Faites glisser le boîtier du moteur sur la pompe en tirant lentement sur les cordons. Assemblez le boîtier du moteur avec les quatre boulons.
10. Réassemblez les écrous du cordon. Assurez-vous que les rondelles sont bien en place et que les cordons sont tirés vers le haut et s'arrêtent contre les rondelles. Serrez bien les écrous.
11. Mettez la pompe en position verticale et remplissez le moteur avec de l'huile paraffinique pour transformateur, ¹Shellflex™ 2210 ou l'équivalent. NE PAS TROP REMPLIR D'HUILE Avec la pompe en position verticale, remplissez d'huile jusqu'au fond de remplissage d'huile. Remplacez le bouchon de remplissage d'huile
¹Shell Oil Company, Texas
12. Assurez-vous que la pompe tourne librement avant de la mettre sous tension. Faire tourner la pompe sur le côté et tourner la roue, en utilisant un tournevis dans

l'arbre à fente. Brancher la pompe dans la prise pour en tester le fonctionnement. La pompe doit fonctionner silencieusement sans vibrer.

POUR REMPLACER LES CORDONS D'ALIMENTATION

Enlevez le boîtier du moteur comme indiqué ci-dessus. Débranchez les bornes à poussoir et retirez la vis de mise à la terre du cordon d'alimentation s'il est remplacé.

Dévissez complètement le manchon du cordon à remplacer et retirez l'ensemble du cordon du boîtier. Assurez-vous que les terminaux restants sont bien fixés sur les fils.

Remplacez-le avec un cordon et des raccords appropriés. Poussez le cordon dans le boîtier du moteur suffisamment loin pour effectuer les connexions appropriées. Reconnectez le fil de terre si vous remplacez le cordon d'alimentation et connectez fermement les fils. Consultez le schéma de câblage dans les instructions.

Assemblez les cordons et le boîtier du moteur comme indiqué dans la section **Remplacement du condensateur**. Remplissez d'huile comme indiqué et assurez-vous que la pompe tourne librement avant de la mettre sous tension.

POUR REMPLACER LE ROTOR ET LA COQUE DU MOTEUR

1. Enlevez le boîtier du moteur comme indiqué ci-dessus.
2. Déconnectez tous les fils conducteurs, les cordons de détection de fuites aux joints et le fil de terre et placez la pompe en position verticale.
3. Dévissez les quatre vis longues qui maintiennent le moteur et retirez-les lentement. Si la pompe dispose de sondes de fuites aux joints, assurez-vous de faire passer les fils dans les fentes lorsque vous retirez le moteur.
4. Soit vous retirez le condensateur et la pince de l'ancien moteur et vous l'assemblez sur le nouveau stator et la nouvelle coque, soit vous le remplacez par un nouveau condensateur et vous assemblez les deux fils du condensateur selon le schéma de câblage.
5. Placez la rondelle à ressort du roulement sur le dessus du roulement à billes supérieur.
6. Serrez les vis des terminaux des sondes de fuite aux joints et faites passer les fils dans les fentes du moteur.
7. Mettez le « stator avec coque » en place, alignez les vis avec les bossages et serrez les quatre (4) longues vis. Faites sortir les fils de la sonde par les fentes. Posez l'unité en ligne avec le boîtier du moteur.
8. Assurez-vous que la pompe tourne librement avec un tournevis dans l'extrémité de l'arbre de la roue.
9. Reconnectez toutes les terminaux fermement selon le schéma de câblage.
10. Assurez-vous que le Tetraseal (joint torique) est en place.

ENTRETIEN

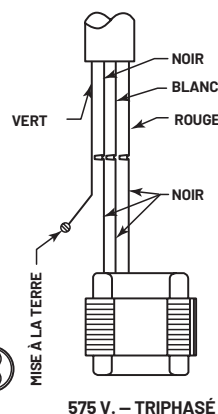
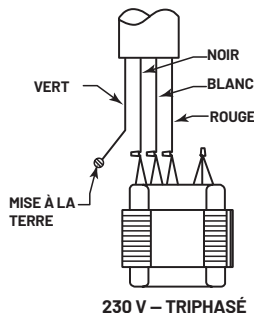
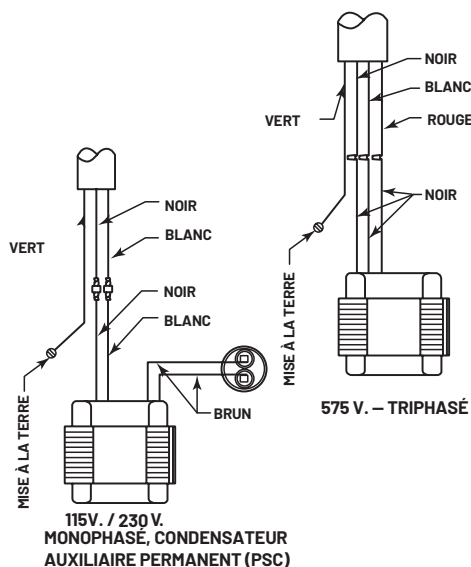
- Réassemblez le boîtier du moteur et remplissez d'huile comme indiqué ci-dessus lors du remplacement du condensateur.

Sur les moteurs triphasés, vérifiez toujours que la rotation de l'unité est correcte. Avec la pompe sur le côté, mettez-la sous tension en l'allumant, puis en l'éteignant, rapidement. La roue doit tourner dans le sens inverse des aiguilles d'une montre lorsqu'on regarde dans l'entrée de la roue. Si ce n'est pas le cas, interchangez deux fils conducteurs au choix dans le boîtier de commande.

REPLACEMENT DU JOINT DE L'ARBRE

- Retirez les bouchons du boîtier du moteur et vidangez l'huile.
- Retirez les quatre boulons qui maintiennent la volute et frappez-la avec un marteau en plastique pour la desserrer et l'enlever.
- Tenez la roue et dévissez la vis de blocage de la roue. Tournez-la le sens contraire d'une montre pour la desserrer.
- Retirez les joints d'étanchéité du type à soufflet et le siège en céramique. Si nécessaire, brisez les sièges pour les sortir, car ils doivent être remplacés par des pièces neuves. Il n'est pas nécessaire de continuer le démontage.
- N'UTILISEZ JAMAIS DE VIEUX JOINTS D'ÉTANCHÉITÉ - UTILISEZ UNIQUEMENT DES JOINTS ÉTANCHÉITÉ ENTIÈREMENT NEUFS.**
- Enlevez les anneaux à retenue avec les pinces pour anneaux à retenue. Retirez le joint d'étanchéité supérieur du type à soufflet et le siège en céramique.
- Si aucune eau n'a pénétré dans le boîtier du moteur (vérifiez le bobinage avec un ohmmètre ou un mégohmmètre), essuyez soigneusement les chambres d'étanchéité et remplacez les joints. Nettoyez les faces du joint et appliquez une huile légère sur les faces avant d'installer la partie soufflet du joint.
- Vérifiez la coupelle d'étanchéité HUVA dans l'entrée de la volute. Si elle est usée, remplacez-la.
- Assurez-vous que le Tetraseal (joint torique) est en place (remplacez-le s'il est usé) et réassemblez.
- Remplacez l'huile dans le boîtier du moteur et scellez la chambre. Utilisez seulement de l'huile pour pompe submersible Hydromatic.
- Assurez-vous que la pompe tourne librement avant de la mettre sous tension. Après l'avoir branché, vérifiez si la rotation est correcte.

SCHÉMA DE CÂBLAGE



BOBINAGE BITENSION TRIPHASÉ

TENSION	FILS CONDUCTEURS			
	NOIR	BLANC	ROUGE	ENSEMBLE
230	1 et 7	2 et 8	3 et 9	4, 5 et 6
460	1	2	3	4 et 7, 5 et 8, 6 et 9

SPÉCIFICATIONS

SPÉCIFICATIONS

- ◆ Relais : SSAC Inc. #LLC44A5A
 - ◆ Douille : De type enfichable standard à huit broches
- Si le panneau vv est utilisé, voir ci-dessous.

Panneau requis : CMEP(SL)-11S, -11SW, -11D, ou -11DW

Pompes :

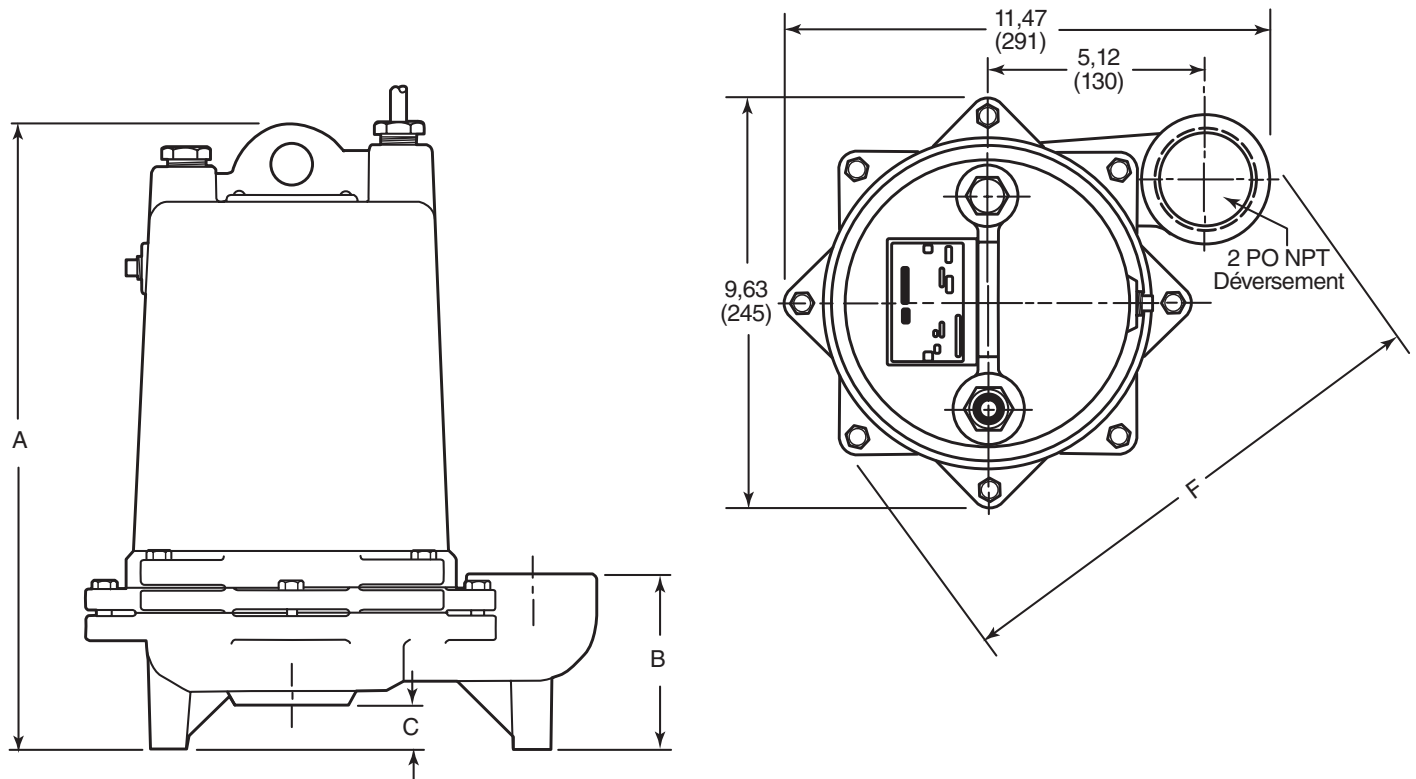
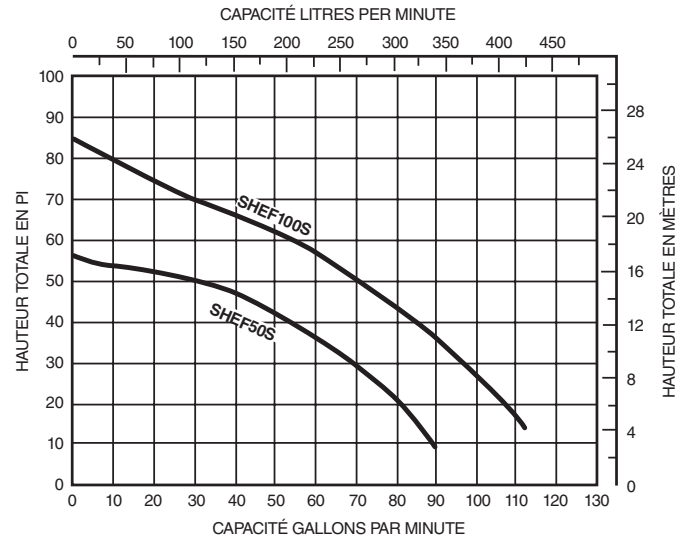
- ◆ SHEF100SA2 20
- ◆ SHEF100SM2 20
- ◆ SHEF100SM3 20
- ◆ SHEF100SM5 20
- ◆ SHEF50SA1 20
- ◆ SHEF50SA2 20
- ◆ SHEF50SM1 20
- ◆ SHEF50SM2 20
- ◆ SHEF50SM5 20

DIMENSIONS

DIMENSIONS DES SÉRIES

SÉRIE DE MODÈLES	POUCES (MILLIMÈTRES)			
	A	B	C	F
SHEF50S	16,8 (427)	4,09	1,03	12,13
SHEF100s	16,8 (427)	4,00	1,06	12,5

COURBE DE RENDEMENT



SPÉCIFICATIONS

TABLEAU DES DONNÉES DU MOTEUR

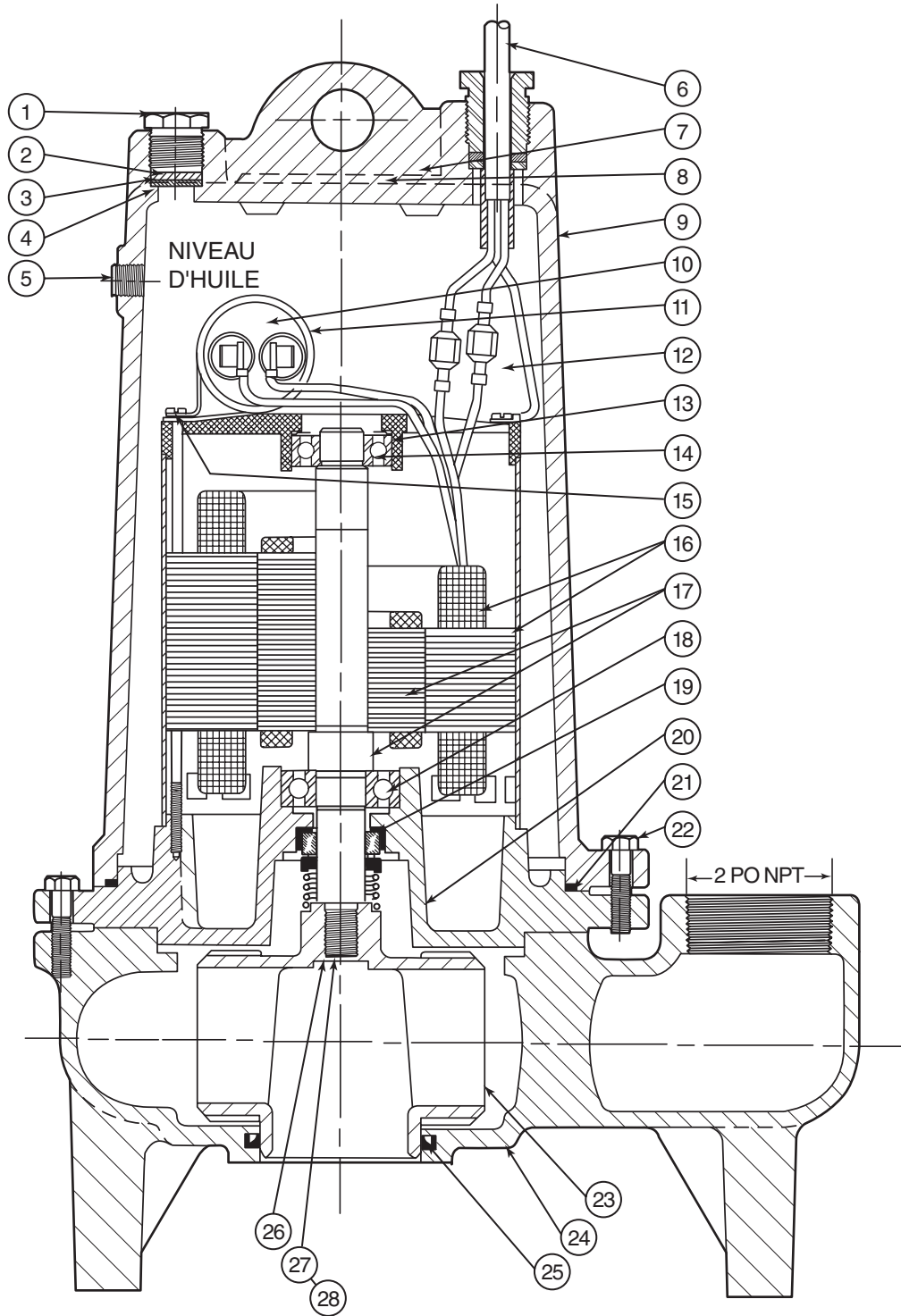
H.P.	VITESSE	VOLTS	PHASE	HAUTEUR DE STOCKAGE	RÉSISTANCE DU BOBINAGE EN OHMS			INTENSITÉ MAXIMALE	INTENSITÉ ROTOR BLOQUÉ
					PRINCIPAL NOIR À BLANC	DÉPART – 1Ø BRN. À BRN. OU MAUVE	BLANC À ROUGE		
						NOIR À ROUGE – 3Ø			
1/2	3450	115	1	15/8	0,9/0,8	14,7	-	12,1	29,6
		230			9,8	19,7		6,0	15,0
1		230	3	2 1/2	3,0/2,6	16/14		9,3	19,0
		208/230			5,3	5,3	5,3	6,6/6,0	29,0
		575			33,1	33,1	33,1	2,4	11,6

SPÉCIFICATIONS DE LA POMPE

NUMÉRO DE MODÈLE	NUMÉRO D'INGÉNIEURIE	HP	VOLTS	PHASE/ CYCLES	TAILLE DE L'ÉVACUATION	TYPE D'INTERRUPTEUR	LONGUEUR APPROXIMATIVE DU CORDON	POIDS LB
SHEF100SA2 20	528680007	1	230	1/60	2 po	Manuel	20 pi	83
SHEF100SM2 20	528680017	1	230	1/60	2 po	Manuel	20 pi	83
SHEF100SM3 20	528680027	1	230	3/60	2 po	Manuel	20 pi	83
SHEF100SM5 20	528680047	1	575	3/60	2 po	Manuel	20 pi	83
SHEF50SA1 20	528670007	1/2	115	1/60	2 po	Manuel	20 pi	73
SHEF50SA2 20	528670027	1/2	230	1/60	2 po	Manuel	20 pi	74
SHEF50SM1 20	528670017	1/2	115	1/60	2 po	Manuel	20 pi	73
SHEF50SM2 20	528670037	1/2	230	1/60	2 po	Manuel	20 pi	74
SHEF50SM5 20	528670067	1/2	575	3/60	2 po	Manuel	20 pi	74

PAGE LAISSÉE VIERGE INTENTIONNELLEMENT

LISTE DES PIÈCES DE RECHANGE



LISTE DES PIÈCES DE RECHANGE

RÉF.	DESCRIPTION	QTÉ	NUMÉROS DE PIÈCES
1	Écrou, fiche de cordon, solide	1	25341A002
2	Rondelle, 1/32 po Thk.	1	05030A234
3	Joint d'étanchéité en caoutchouc	1	05014A193
4	Rondelle, 3/32 po Thk.	1	05030A235
5	Bouchon de tuyau 1/4 po	1	05022A009
6	Cordon d'alimentation	1	Voir le tableau
7	Tournevis	2	05160A004
8	Plaque signalétique	1	S. O.
9	Boîtier du moteur	1	25327D000
10	Condensateur (monophasé seulement)	1	Voir le tableau
11	Pincés pour condensateur (monophasé seulement)	1	Voir le tableau
12	Huile, transformateur	0,8 à 1 gallon	11009A006
12A	Condensateurs (triphase seulement)	3-6	15781A001
13	Rondelle, roulement	1	19331A005
14	Roulement à billes supérieur	1	08565A013
15	Vis, st, #10 x 3/8	2	09822A032
16 et 17	Stator, arbre du rotor avec coque	1	Voir le tableau
18	Roulement à billes inférieur	1	08565A022
19	Arbre de joint	1	25370A000
20	Plaque, roulement et joint	1	25367D000
21	Tetraseal (joint torique), 7 x 6 - 3/4 x 1/8	1	05014A181
22	Vis, capuchon, 5/16 x 1-1/4	8	19100A012
23	Roue	1	Voir le tableau
24	Boîtier, volute	1	25357D000
25	Coupelle, U, HUVA	1	22835A005
26	Rondelle, dispositif de retenue de la roue	1	05030A242
27	Vis, machine numéro 10 x 3/8	1	06106A042
28	Scellant	1	14550A001

NUMÉRO D'ARTICLE			6		10	11	16 ET 17	23
HP	VOLTS	PH	CORDON D'ALIMENTATION AVEC FICHE	CORDON D'ALIMENTATION SANS FICHE	CONDENSATEUR	PINCE POUR CONDENSATEUR	ENSEMBLE STATOR ET ARBRE DU ROTOR	PLASTIQUE DE LA ROUE
1/2	115	1	25338B004	25338B006	23839A000	20333A006	25484D100	25333B025
	230		25338B005				25484D101	
1	230	1	25338B001	25338A002	23839A000	20333A004	25484D105	25348B010
	230	3		25338B003			25484D106	
	575			25484D107				

GARANTIE LIMITÉE STANDARD

GARANTIE LIMITÉE STANDARD

Pentair Hydromatic® garantit ses produits contre les défauts de matériaux et de fabrication pendant une période de 12 mois à compter de la date d'expédition de Pentair Hydromatic ou de 18 mois à compter de la date de fabrication, selon la première éventualité - à condition que ces produits soient utilisés conformément aux exigences du catalogue et des manuels techniques de Pentair Hydromatic pour le pompage d'eaux usées brutes, d'eaux usées municipales ou de liquides similaires, non abrasifs et non corrosifs.

Pendant la période de garantie et sous réserve des conditions énoncées, Pentair Hydromatic, à sa discrétion, réparera ou remplacera à l'utilisateur d'origine les pièces qui s'avèrent défectueuses en matière de matériaux et de fabrication. Pentair Hydromatic se réserve le droit de modifier ou d'améliorer ses produits ou toute partie de ceux-ci sans être obligé de fournir un tel changement ou une telle amélioration pour les unités vendues et/ou expédiées précédemment.

Des rapports de démarrage et des schémas électriques peuvent être exigés pour étayer les demandes de garantie. Envoyer au moment du démarrage via le site web de Pentair Hydromatic : <http://forms.pentairliterature.com/startupform/startupform.asp?type=h>. La garantie n'est valable que si les panneaux de commande autorisés de Pentair Hydromatic sont utilisés. Tous les dispositifs de détection de chaleur et de défaillance des joints doivent être branchés, fonctionnels et surveillés, sinon la garantie sera annulée. Pentair Hydromatic ne couvrira que le joint inférieur et la main-d'œuvre de celui-ci pour toutes les pompes à double joint. En aucun cas, Pentair Hydromatic ne sera responsable du coût du travail sur le terrain, des frais de déplacement, de l'équipement loué, du démantèlement/de la réinstallation ou des frais de transport vers et depuis l'usine ou un centre de service Pentair Hydromatic agréé.

Cette garantie limitée ne s'applique pas : (a) aux défauts ou dysfonctionnements résultant d'une installation, d'un fonctionnement ou d'un entretien non conformes aux instructions imprimées fournies; (b) aux défaillances résultant d'un abus, d'un accident ou d'une négligence; (c) aux services d'entretien courants et aux pièces utilisées dans le cadre de ces services; (d) aux unités qui ne sont pas installées conformément aux codes, ordonnances et bonnes pratiques commerciales locaux applicables; (e) si l'unité est déplacée de son lieu d'installation initial; (f) si l'unité est utilisée à des fins autres que celles pour lesquelles elle a été conçue et fabriquée; (g) à toute unité qui a été réparée ou modifiée par toute personne autre que Pentair Hydromatic ou un fournisseur de services Pentair Hydromatic agréé; (h) à toute unité qui a été réparée en utilisant des pièces non spécifiées par l'usine/OEM.

Exclusions de la garantie : PENTAIR HYDROMATIC N'OFFRE AUCUNE GARANTIE EXPRESSE OU IMPLICITE ALLANT AU-DELÀ DE LA DESCRIPTION FIGURANT AU RECTO DU PRÉSENT DOCUMENT. PENTAIR HYDROMATIC DÉCLINE EXPRESSÉMENT LES GARANTIES IMPLICITES DE QUALITÉ MARCHANDE ET D'ADÉQUATION À UN USAGE PARTICULIER.

Limitation de la responsabilité : EN AUCUN CAS, PENTAIR HYDROMATIC NE PEUT ÊTRE TENU RESPONSABLE DES DOMMAGES CONSÉCUTIFS, ACCIDENTELS OU SPÉCIAUX RÉSULTANTS OU LIÉS DE QUELQUE MANIÈRE QUE CE SOIT À UN PRODUIT PENTAIR HYDROMATIC OU À DES PIÈCES DE CELUI-CI. DES BLESSURES CORPORELLES ET/OU DES DOMMAGES MATÉRIELS PEUVENT RÉSULTER D'UNE INSTALLATION INADÉQUATE. PENTAIR HYDROMATIC DÉCLINE TOUTE RESPONSABILITÉ, Y COMPRIS LA RESPONSABILITÉ AU TITRE DE LA PRÉSENTE GARANTIE, EN CAS D'INSTALLATION INADÉQUATE. PENTAIR HYDROMATIC CONSEILLE UNE INSTALLATION EFFECTUÉE PAR DES PROFESSIONNELS.

Certains États n'autorisent pas certaines ou toutes les limitations de garantie ci-dessus ou l'exclusion ou la limitation des dommages accessoires ou consécutifs et, par conséquent, ces limitations peuvent ne pas s'appliquer à vous. aucune garantie ou représentation faite à tout moment par un représentant de Pentair Hydromatic ne peut modifier ou prolonger les dispositions de la présente.

Garantie rév. 09/18



1101 MYERS Parkway
Ashland, Ohio 44805
Tél. : 855 274-8947

490 Pinebush Road
Unit 4
Cambridge, Ontario, Canada N1T 0A5
Tél. : 800 363-7867
Télé. : 888 606-5484

pentair.com

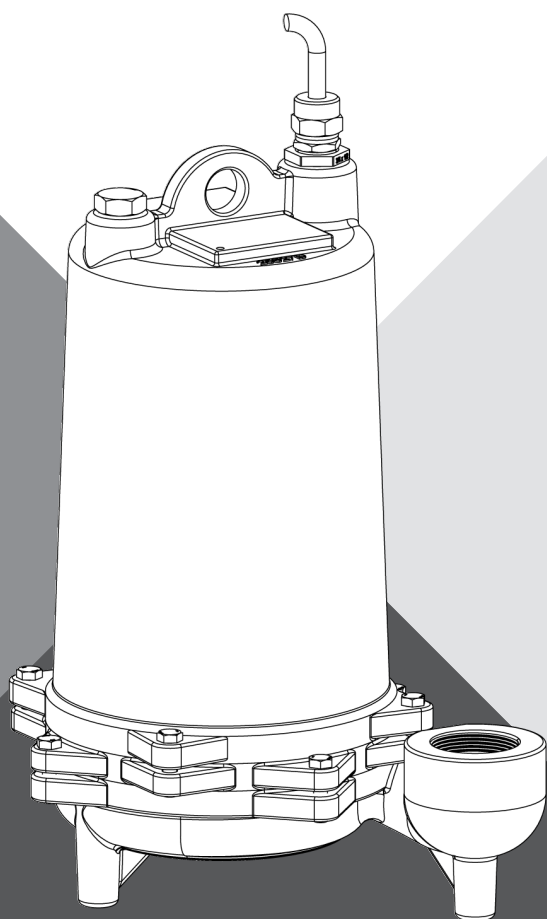
Toutes les marques de commerce et tous les logos Pentair indiqués appartiennent à Pentair. Les marques de commerce et les logos déposés et non déposés de tiers appartiennent à leurs propriétaires respectifs. Comme Pentair cherche constamment à améliorer ses produits et ses services, elle se réserve le droit d'en modifier les spécifications sans préavis. Pentair est un employeur offrant l'égalité professionnelle.

©2022 Pentair. Tous droits réservés.

056255661(01-02-22)

BOMBAS SUMERGIBLES PARA EFLUENTES

SHEF50S ♦ SHEF100S



MANUAL DE INSTALACIÓN Y FUNCIONAMIENTO

pentair.com

ÍNDICE

Instrucciones de seguridad	35
Descripción	36
Instalación	37
Diagramas	38
Mantenimiento.....	39
Especificaciones.....	43
Lista de partes de repuesto.....	46
Garantía.....	48

INSTRUCCIONES DE SEGURIDAD

SÍMBOLOS DE SEGURIDAD

⚠ Este es el símbolo de alerta de seguridad. Cuando vea este símbolo en la bomba o en este manual, busque una de las siguientes palabras de advertencia y esté alerta a la posibilidad de que alguien pudiese resultar lesionado:

⚠ DANGER advierte sobre los riesgos que causarán lesiones personales graves, muerte o daños importantes a la propiedad si se ignora.

⚠ WARNING advierte sobre los riesgos que pueden causar lesiones personales graves, muerte o daños importantes a la propiedad si se ignora.

⚠ CAUTION advierte sobre los riesgos que causarán o pueden causar lesiones personales leves o daños menores a la propiedad si se ignora.

La palabra **AVISO** hace referencia a instrucciones especiales que son importantes, pero que no están relacionadas con peligros.

ADVERTENCIA DE LA PROPUESTA 65 DE CALIFORNIA

⚠ WARNING Este producto y sus accesorios relacionados contienen sustancias químicas identificadas por el Estado de California como carcinógenas y que provocan defectos congénitos u otros daños reproductivos.

SEGURIDAD GENERAL

- ♦ Lea y siga cuidadosamente todas las instrucciones de seguridad que se encuentran en este manual y en la unidad en sí.
- ♦ **⚠ CAUTION** No toque un motor que esté en funcionamiento. Los motores modernos funcionan a altas temperaturas. Para evitar quemaduras cuando hace el servicio de mantenimiento de la bomba, apáguela y deje que se enfríe durante 20 minutos antes de manipularla.
- ♦ Siga todos los códigos y las reglamentaciones locales y estatales correspondientes.
- ♦ Mantenga las etiquetas de seguridad en buen estado y reemplácelas si se pierden o se dañan.
- ♦ **NO** use la bomba en seco. El funcionamiento en seco recalienta la bomba (puede quemar a quien la manipule) e invalida la garantía.
- ♦ Use gafas de seguridad en todo momento cuando trabaje con las bombas.
- ♦ Mantenga el área de trabajo limpia, despejada y adecuadamente iluminada. Guarde todas las herramientas y los equipos que no usa.
- ♦ **NO** use este sistema para bombear líquidos inflamables. Nunca haga funcionar la bomba en un entorno explosivo.

La formación de un arco de chispas en las escobillas del motor, los interruptores o el exceso de calor de un motor con un circuito deficiente pueden causar una explosión.

SEGURIDAD ELÉCTRICA

⚠ DANGER **VOLTAJE PELIGROSO. PUEDE PROVOCAR DESCARGAS ELÉCTRICAS, QUEMADURAS O LA MUERTE.** Al instalar, hacer funcionar o hacer el servicio de mantenimiento de esta bomba, siga las instrucciones de seguridad que se enumeran a continuación.

- ♦ **NO** instale la bomba en un lugar que el Código Nacional de Electricidad, NFPA 70 o el Código de Electricidad de Canadá clasifiquen como peligroso.
- ♦ **NO** modifique el cable ni el enchufe. Cuando use el cable y el enchufe, utilice únicamente un toma de corriente a tierra. Cuando instale el cableado a un control del sistema, conecte el conductor a tierra a la masa del sistema.
- ♦ **NO** permita que el enchufe en el extremo del cable de alimentación eléctrica se sumerja.
- ♦ **NO** use cables de extensión. Constituyen un riesgo de incendio y pueden reducir el voltaje lo suficiente como para impedir el bombeo y/o dañar el motor.
- ♦ **NO** manipule la bomba ni le haga tareas de mantenimiento mientras está conectada al suministro de energía.
- ♦ Enchufe la bomba en un receptáculo con conexión a tierra de 3 conductores. Al instalar el cableado de esta bomba siga todos los códigos y ordenanzas de seguridad y electricidad locales así como también el Código Nacional de Electricidad (NEC-ANSI/NFPA 70) más reciente.
- ♦ Todas las bombas tienen un CABLE A TIERRA que está conectado a un tornillo en la carcasa de metal del motor. Este cable va al receptáculo o caja de control que debe tener una buena conexión a TIERRA afuera, como una tubería de metal para agua o una ESTACA PARA TIERRA enterrada al menos hasta los 8 pies.

CUANDO EL INSTALADOR PROPORCIONA PROTECCIÓN CONTRA SOBRECARGA ELÉCTRICA: USAR CON CONTROL DEL MOTOR APROBADO QUE COINCIDA CON LA ENTRADA DE AMPERIOS DE CARGA COMPLETA CON ELEMENTOS DE SOBRECARGA SELECCIONADOS O AJUSTADOS SEGÚN LAS INSTRUCCIONES DEL CONTROL.

CUANDO EL MOTOR TIENE PROTECCIÓN CONTRA SOBRECARGA INCORPORADA: USAR CON CONTROL DEL MOTOR APROBADO QUE COINCIDA CON LA ENTRADA DEL MOTOR EN UNA CARGA COMPLETA DE AMPERIOS.

DESCRIPCIÓN

DESCRIPCIÓN

Las bombas serie SHEF50S y SHEF100S están diseñadas para aplicaciones de dosificación de efluente, bombeo de efluente de cámara séptica (S.T.E.P.) o desagüe general o de sumidero normal para las que se requiere una mayor presión.

Cuando se usa para aplicaciones de dosificación de efluentes o S.T.E.P., la bomba debe estar instalada en una cámara o compartimento separado al lado del descargador de la cámara séptica.

Nunca instale la bomba en la cámara donde se acumula lodo.

Estas bombas vienen de una y tres fases. Las unidades de todo tipo de fases y de instalación dúplex deben usarse con una caja de control. Todos los cables de alimentación y los cables del detector de fugas en los sellos tienen 20 pies de largo.

El impulsor modelo SHEF50S es cerrado y tiene dos paletas para tratar sólidos esféricos de 3/4" y tiene una estructura termoplástica. Todas las bombas tienen una conexión de descarga de 2" NPT.

Estas bombas NO deben usarse en piscinas ni en fuentes.

BLOQUEO POR AIRE

Se dice que la bomba tiene un bloqueo por aire si el agua atrapa aire en la bomba y no puede salir, lo cual evita el funcionamiento de la bomba.

En instalaciones de este tipo, se debe perforar un orificio de 1/8" en el tubo de descarga justo encima de la descarga de la bomba y se debe instalar una válvula de retención de 12 a 18 pulgadas por encima de la descarga de la bomba. No ponga la válvula de retención directamente en la abertura de descarga de la bomba; siga el código local.

EMBALAJE

Cada bomba se embla por separado en una caja de cartón identificada con un número de catálogo y el número de elaboración de Hydromatic.

CONTROLES DE NIVEL

Todas las bombas deben tener interruptores sellados de control de nivel para funcionamiento automático. Los controles MLC y MFLC tienen interruptores sellados de 1 HP con clasificación de 230 voltios. Con el agregado de controles MFLC o MFS a las bombas simples de una fase, se las puede automatizar. Estos interruptores tienen un nivel de extracción fijo de 8 a 10 pulgadas y pueden usarse con hasta 1 HP.

En todas las bombas de una fase se pueden usar cables de conexión. Estos cables tienen una clavija a TIERRA que se conecta a un receptáculo puesto a tierra. El receptáculo puesto a tierra no puede usarse en sumideros o cámaras húmedas debido al PELIGRO de fuga de electricidad. En los sumideros o cámaras húmedas deben usarse cajas de empalmes selladas para hacer las conexiones al cable del motor. El control AWS-1 también actúa como una caja de empalmes sellada para la conexión de un cable de alimentación al cable de la bomba.

DISEÑO DE SISTEMAS DE ALCANTARILLADO DE PRESIÓN

Hydromatic tiene un SOFTWARE completo para el diseño de los SISTEMAS DE ALCANTARILLADO DE PRESIÓN, que calcula el tamaño de las tuberías que se debe usar y determina el flujo exacto de la bomba o grupo de bombas en el sistema cuando funcionan en simultáneo. Este DISCO de diseño para computadoras IBM o COMPATIBLES está disponible para los ingenieros que lo soliciten.

TIPO DE MOTOR

Los motores son monofásicos o trifásicos, de 1/2 y 1 HP, con una carcasa de 3/4, 60 Hertz, 3450 R.P.M. con aislamiento tipo B. Todos los motores monofásicos son de condensador dividido permanente (PSC) con protección contra sobrecarga de bobinado incorporada y no requieren ni interruptor ni relé de encendido. Los motores trifásicos de las bombas necesitan un encendido magnético con protectores de sobrecarga de 3 pines. Todos los motores tienen cojinetes de bolas superiores e inferiores y todos se lubrican y enfrían con aceite.

⚠ WARNING Peligro de inhalación. La fosa o el tanque deben tener la ventilación correspondiente al código de plomería local. Estas bombas NO PUEDEN instalarse ni se fabricaron para ser instaladas en lugares que la NFPA 70 clasifica como peligrosos.

- ◆ Nunca ingrese a la cámara de la bomba si hubo aguas residuales o efluentes en la fosa. Las aguas residuales pueden emitir metano, ácido sulfhídrico y otros gases con un alto grado de toxicidad.

Hydromatic recomienda instalar las bombas para efluentes serie SHEF50S y SHEF100S con un sistema de extracción rápida. El sistema de extracción rápida puede ser un acoplamiento de unión o de liberación rápida si la tubería o la manguera de descarga están al alcance desde la superficie, o un sistema de riel de desconexión rápida en instalaciones más profundas. Consulte los gráficos de instalación para observar la instalación sugerida.

El tanque dosificador o la cámara de bombeo deben fabricarse con materiales resistentes a la corrosión y deben tener la capacidad de soportar todas las cargas internas y externas anticipadas. Además, no debe permitir la infiltración ni la exfiltración. El tanque debe contar con elementos antiflotación. Los orificios de acceso o las cubiertas deben tener el tamaño adecuado y se debe poder acceder a ellos desde la superficie para llevar a cabo la instalación y el mantenimiento del sistema. Las cubiertas de acceso deben ser muy pesadas o tener un sistema de bloqueo para evitar el acceso no autorizado. Se debe seleccionar la capacidad de contención de la cámara de bombeo para situaciones de emergencia.

La tubería de descarga debe tener el mismo tamaño que la descarga de la bomba (2 pulgadas) o debe ser mayor. Para garantizar una velocidad de flujo que permita evitar la acumulación de residuos sólidos en la tubería de descarga, se recomienda mantener un flujo mínimo de 2 pies por segundo. (21 GPM a través de una tubería de 2" y 46 GPM a través de una tubería de 3"). Se recomienda el uso de una tubería de PVC o similar para garantizar la resistencia a la corrosión.

Se debe instalar una válvula de cierre de flujo completo (bola o compuerta) para evitar el contraflujo del efluente si debe quitarse la bomba para el servicio. Se debe instalar una válvula de retención en los sistemas de alcantarillado de presión y en otros sistemas donde

INSTALACIÓN

las condiciones lo permitan para evitar el contraflujo y reducir el desgaste del sistema de la bomba.

Se debe instalar una alarma de nivel alto de agua en un circuito separado del circuito de la bomba. Se debe poder probar la alarma para garantizar el funcionamiento adecuado.

INSTRUCCIONES ESPECIALES PARA BOMBAS TRIFÁSICAS

- Hydromatic recomienda que las bombas trifásicas sean instaladas por personal idóneo.
 - ⚠ WARNING Riesgo de descarga eléctrica.** No quite el cable ni el aliviador de tensión. No conecte el conducto a la bomba.
 - Las bombas trifásicas siempre están instaladas con cajas de control que tienen encendido magnético con protección contra sobrecarga de 3 pines. **NO INTENTE HACER FUNCIONAR LAS BOMBAS TRIFÁSICAS DIRECTAMENTE EN LA LÍNEA.**
 - 4. Conexión de la bomba:** Extienda un cable desde la bomba hasta la parte inferior de la caja de control o la caja de empalme correspondiente apropiada para conexiones de empalme cubiertas. Se debe abrir un orificio en la caja de control para pasar los cables. Con la energía hacia la caja de control apagada, conecte la línea verde (a tierra) a la lengüeta de puesta a tierra. Conecte los cables negros (energía) a los terminales de las líneas de alimentación. Nota: para una caja de control estilo CE típico, estos terminales están marcados como: M1, M2 y M3. Asegúrese de que todos los cables estén dentro de la caja de control y que ninguno esté en una posición en la que lo puedan pellizcar o cortar cuando se cierra la puerta.
 - Todos los motores trifásicos pueden funcionar en ambas direcciones. La ROTACIÓN se puede cambiar al intercambiar cualquiera de los dos conductores de línea en el encendido magnético. **ASEGÚRESE DE QUE EL INTERRUPTOR DE CIRCUITO ESTÉ APAGADO ANTES DE HACER ESTE CAMBIO.** Para saber si la rotación es correcta, ponga la bomba en funcionamiento y obsérvela. Si el flujo y el cabezal son bajos (consulte las curvas de la bomba en este manual), entonces la rotación es incorrecta. En las bombas dobles, controle el funcionamiento de ambas bombas.
 - Si mira a través de la entrada de la bomba, todos los impulsores de la bomba, ya sean monofásicos o trifásicos, deben girar en sentido antihorario. Si no está seguro sobre la rotación, **CORTE EL SUMINISTRO ELÉCTRICO** y levante la bomba de la cámara con el cable conectado y ponga la bomba de costado para poder ver el impulsor. Encienda el suministro eléctrico y encienda la bomba con la posición H-O-A del interruptor. Encienda y apague rápidamente para poder ver el impulsor. **NUNCA PONGA LAS MANOS NI LOS DEDOS EN EL IMPULSOR.** Intercambie cualquiera de los dos conductores de línea en el encendido magnético para cambiar la rotación.
- Observe si algún interruptor de nivel tiene desperfectos.
 - Donde se usa el panel de control, asegúrese de que el interruptor H-O-A esté en AUTOMÁTICO. Si no funciona, ponga el interruptor en la posición MANUAL y si la bomba funciona, entonces el problema está en el sistema eléctrico automático. Un ELECTRICISTA debe revisar la parte eléctrica.
 - Observe que el motor no esté quemado. Los rayos pueden dañar un motor incluso con la protección contra rayos.
 - Cuando se usan cables de conexión, asegúrese de que las láminas de contacto estén limpias y hagan buen contacto. **NO USE CABLES DE CONEXIÓN DENTRO DE UN SUMIDERO O POZO CON AGUA.**
 - La pesa o bola de control del nivel puede estar atorada al costado de la cámara. Asegúrese de que flote libremente.
- La bomba funciona pero no produce flujo.
 - Revise el bloqueo por aire. Encienda y apague la bomba varias veces; si no surte efecto, es posible que deba aflojar una unión en la línea de descarga para aligerar el bloqueo por aire.
 - Verifique que la válvula no esté instalada hacia atrás. Verifique el flujo en el cuerpo de la válvula. Verifique la válvula de cierre. Puede estar cerrada.
 - Verifique la elevación vertical. Puede ser muy elevada para la capacidad de la bomba. (Consulte las curvas de las bombas).
 - La entrada de la bomba puede estar obstruida. Quite la bomba para verificarlo.

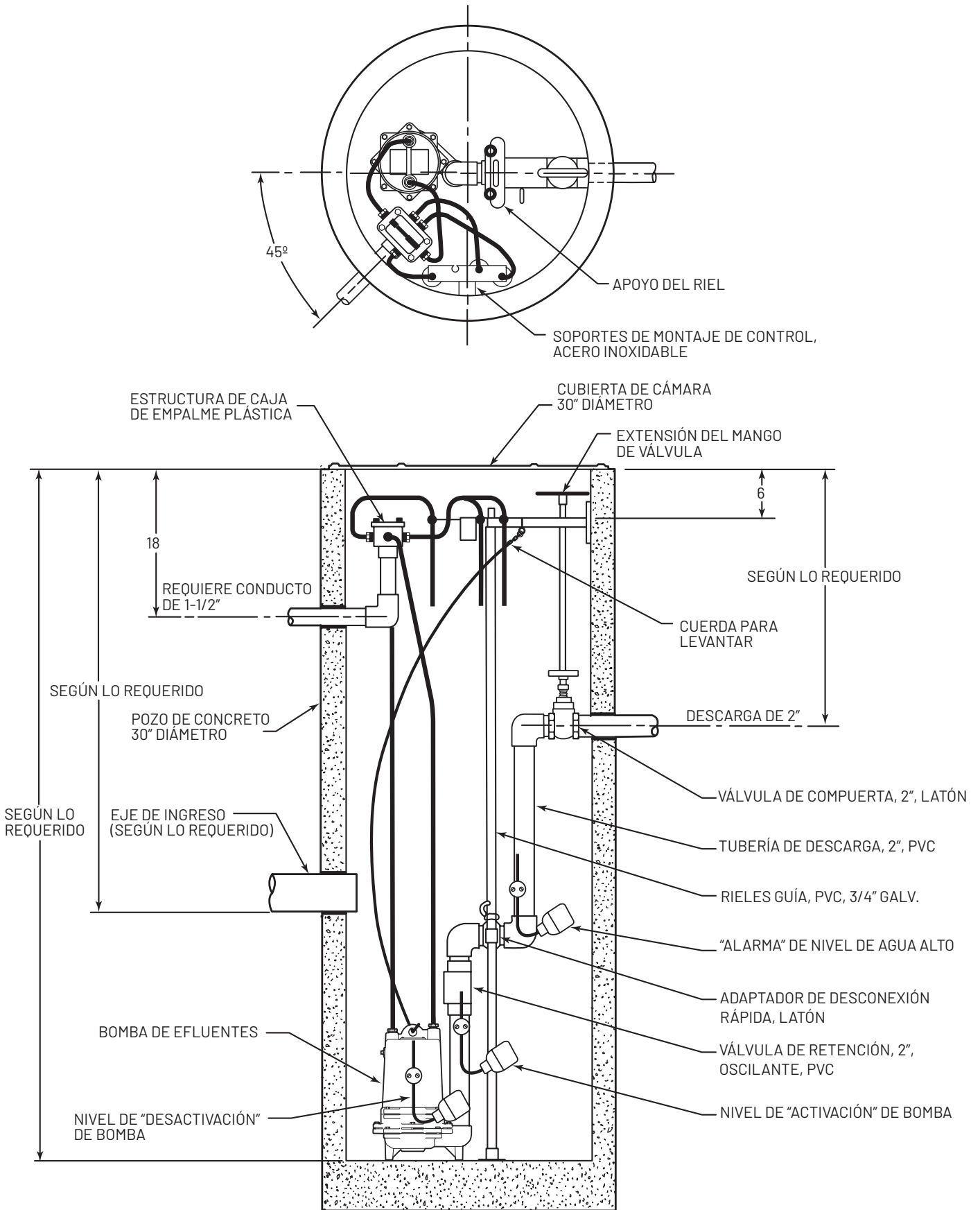
⚠ WARNING Riesgo de descarga eléctrica. Siempre desenchufe los cables de alimentación para apagar todos los interruptores principales y de derivación antes de hacer cualquier tipo de trabajo en la bomba. Si el panel de control está lejos de la bomba, desconecte los cables conductores que van al motor para que nadie pueda volver a encender el interruptor. Si el motor es trifásico, marque los cables conductores para volver a ponerlos en el mismo orden.

CONTROLES QUE SE DEBEN REALIZAR SI LA BOMBA NO FUNCIONA O FUNCIONA MAL

- La bomba no funciona o no enciende cuando el nivel de agua es alto en el tanque.
 - Observe si hay algún fusible quemado o algún interruptor desconectado.

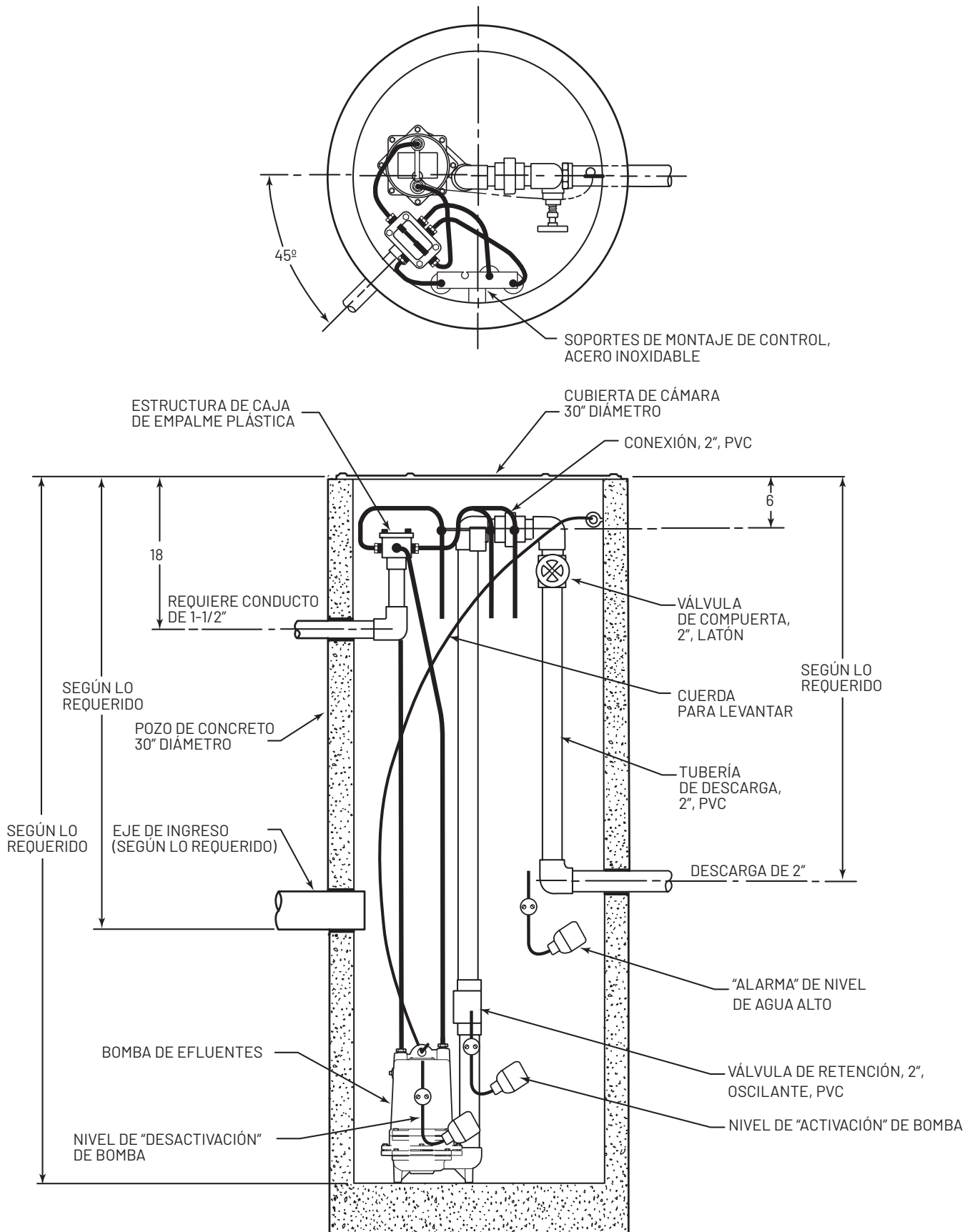
DIAGRAMAS

SHEF50S/SHEF100S simple, 30" de diámetro, 1/2 HP y 1 HP con sistema de riel

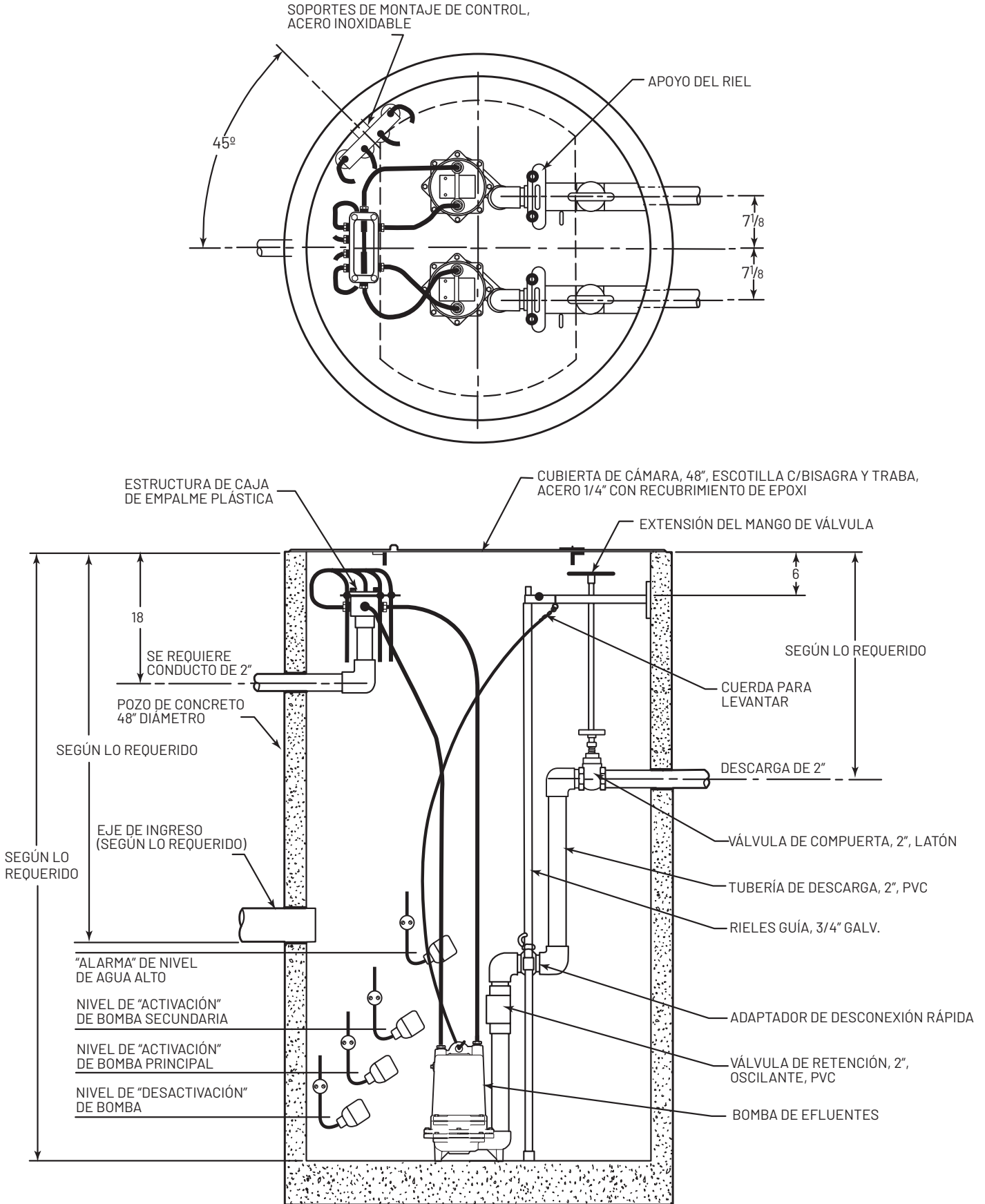


DIAGRAMAS

SHEF50S/SHEF100S simple, con sistema de unión, 30" de diámetro, 1/2 HP y 1 HP



SHEF50S/SHEF100S doble, 48" de diámetro, 1/2 HP y 1 HP



MANTENIMIENTO

ANTES DE DESARMAR LA BOMBA PARA EL REEMPLAZO DE LAS PARTES

Limpie minuciosamente la bomba. Quite todo el sarro y los sedimentos. Use arenado si es posible. Sumerja la unidad completa en una solución de lejía diluida durante una hora antes de desarmarla.

REEMPLAZO DE LOS CONDENSADORES SOLAMENTE

Todos los motores monofásicos son de condensador dividido permanente y no tienen relé ni interruptor de encendido. Solo tienen un condensador que está en el circuito tanto para las conexiones de encendido como de funcionamiento.

1. Quite el tapón de llenado de aceite que está cerca de la parte superior del motor y extraiga todo el aceite.
2. Afloje las tuercas de seguridad alrededor de los cables hasta que pueda empujar los cables hacia abajo dentro de la carcasa del motor.
3. Quite los cuatro pernos de la carcasa del motor y golpee la carcasa con un martillo de plástico para que se afloje. Ponga la bomba de lado.
4. Quite la carcasa con cuidado y asegúrese de que pase suficiente cable dentro de la carcasa para evitar que los cables queden tensos.
5. Deslice la carcasa del motor hacia arriba lo suficiente para que el condensador quede descubierto y poder dejar la carcasa a un costado.
6. Desconecte los cables del condensador, afloje la abrazadera del condensador y quite el condensador deslizándolo. Reemplácelo con un condensador nuevo, ajústelo y vuelva a conectarlo. Con estas instrucciones se incluye un diagrama de cableado.
7. Revise todos los conectores de cableado para asegurarse de que estén bien colocados.
8. Controle que la junta TetraSeal esté en su lugar.
9. Deslice la carcasa del motor para volver a ponerla en su lugar mientras tira de los cables lentamente. Ensamble la carcasa del motor con los cuatro pernos.
10. Vuelva a poner las tuercas de seguridad de los cables. Asegúrese de que las arandelas estén en su lugar y tire de los cables para que queden contra las arandelas. Ajuste bien las tuercas.
11. Ponga la bomba en posición vertical y rellene el motor con aceite refinado de naturaleza parafínica para transformador, ¹Shellflex™ 2210 o similar. NO EXCEDA EL NIVEL MÁXIMO DE ACEITE. Con la bomba en posición vertical, llene con aceite hasta la parte inferior de la marca de llenado. Vuelva a poner el tapón del aceite
¹Shell Oil Company, Texas
12. Asegúrese de voltear la bomba antes de conectar el cable de alimentación. Ponga la bomba de lado y, poniendo un destornillador en la ranura del eje, haga girar el impulsor. Enchufe la bomba en el receptáculo para probar el

funcionamiento. La bomba debe funcionar sin vibrar ni hacer ruido.

REEMPLAZO DEL CABLE DE ALIMENTACIÓN

Quite la carcasa del motor como se describe arriba. Desconecte los terminales y quite el tornillo a tierra del cable de alimentación si será reemplazado.

Desatornille por completo el buje del cable que reemplazará y quite el ensamblaje de cable de la carcasa. Asegúrese de que los terminales restantes estén asegurados a los cables.

Reemplace con las partes adecuadas de los cables. Empuje el cable dentro de la carcasa del motor hasta llegar a hacer las conexiones adecuadas. Vuelva a conectar el cable a tierra si está reemplazando el cable de alimentación y conecte los cables correctamente. Consulte el diagrama de cableado de estas instrucciones.

Ensamble los cables y la carcasa del motor según lo descrito en **Reemplazo del condensador**. Llene con aceite según lo indicado y asegúrese de que la bomba se voltee libremente antes de conectar el cable de alimentación.

REEMPLAZO DEL ESTATOR Y LA CARCASA DEL MOTOR

1. Quite la carcasa del motor como se describe arriba.
2. Desconecte todos los conductores de la fuente de energía, selle todos los cables que tengan fuga y el cable a tierra, y ponga la bomba en posición vertical.
3. Afloje los cuatro tornillos largos que sostienen el motor y quítelos lentamente. Si la unidad tiene sensores de detección de fuga, asegúrese de pasar los cables a través de las ranuras mientras quita el motor.
4. Puede quitar el condensador y la abrazadera del motor viejo y ensamblarlos en el estator y carcasa nuevos o bien puede usar un condensador nuevo y ensamblar los dos conductores del condensador según el diagrama de cableado.
5. Coloque la arandela de presión del cojinete arriba del cojinete de bola superior.
6. Ajuste los tornillos de los terminales de los sensores de detección de fugas y pase los cables por las ranuras del motor.
7. Coloque el "estator con la carcasa" en su lugar, ponga los tornillos en los orificios y ajuste los (4) tornillos largos. Extienda los cables de los sensores que pasó por las ranuras. Deje la unidad sobre la superficie alineada con la carcasa del motor.
8. Con un destornillador en el extremo del eje del impulsor, asegúrese de que la bomba gire libremente.
9. Vuelva a conectar bien todos los terminales siguiendo el diagrama de cableado.
10. Controle que la junta TetraSeal esté en su lugar.

MANTENIMIENTO

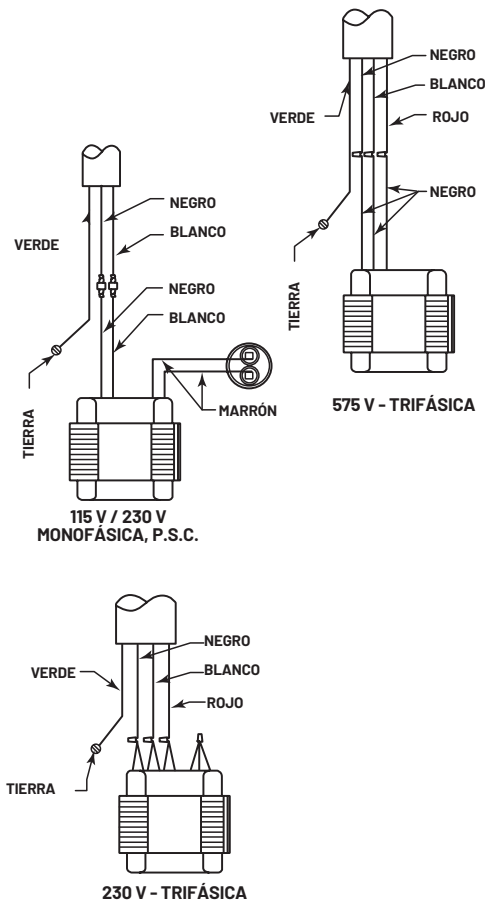
11. Vuelva a ensamblar la carcasa del motor y coloque aceite según se indica arriba en la sección de reemplazo del condensador.

En los motores trifásicos debe verificar siempre que la unidad tenga la rotación adecuada. Ponga la bomba de lado y rápidamente enciéndala y apáguela. Si mira a través de la entrada del impulsor, debe girar en sentido antihorario. Si no es así, debe intercambiar los dos conductores de la caja de control.

REEMPLAZO DE LA JUNTA DEL EJE

1. Quite los tapones de la carcasa del motor y drene el aceite.
2. Quite los cuatro pernos que aseguran la carcasa de la voluta y golpee con un martillo plástico para aflojar y quitar la carcasa.
3. Sostenga el impulsor y quite el tornillo que asegura el impulsor. Gire en sentido antihorario para aflojar.
4. Quite el sello con fuelle y el asiento de cerámica. Rompa el asiento si es necesario para quitarlo, ya que deberá reemplazarlo por uno nuevo. No es necesario seguir desarmando más.
5. **NUNCA USE PARTES DE SELLO VIEJAS. SOLO USE SELLOS COMPLETAMENTE NUEVOS.**
6. Quite el aro a presión con las pinzas correspondientes. Quite el sello con fuelle superior y el asiento de cerámica.
7. Si no entró agua en la carcasa del motor (controle el bobinado con un ohmímetro o megóhmetro), con un paño, limpie bien las cámaras del sello y reemplace los sellos. Limpie las caras de sello y use aceite ligero en la cara antes de instalar los fuelles del sello.
8. Revise el sello HUYA en la entrada de la carcasa de la voluta. Si está gastado, reemplácelo.
9. Controle que la junta TetraSeal esté en su lugar (reemplácela si está gastada) y vuelva a ensamblar.
10. Reemplace el aceite de la carcasa del motor y selle la cámara. Use solamente aceite para bombas sumergibles Hydromatic.
11. Asegúrese de voltear la bomba antes de conectar el cable de alimentación. Después de conectar, fíjese que la rotación sea la adecuada.

DIAGRAMA DE CABLEADO



BOBINADO DE DOBLE VOLTAJE TRIFÁSICO

VOLTAJE	CONDUCTORES			
	NEGRO	BLANCO	ROJO	JUNTOS
230	1 y 7	2 y 8	3 y 9	4 y 5 y 6
460	1	2	3	4 y 7; 5 y 8; 6 y 9

ESPECIFICACIONES

ESPECIFICACIONES

- ◆ Relé: SSAC Inc. #LLC44A5A
- ◆ Toma: Estándar, 8 clavijas, tipo enchufe

Si se usa un panel vvv, lea abajo.

Panel requerido: CMEP(SL)-11S, -11SW, -11D, o -11DW

Bombas:

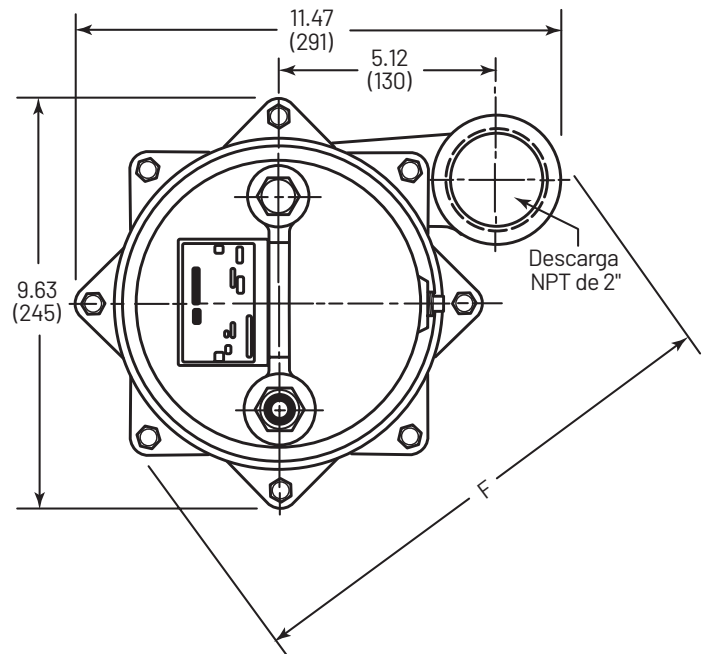
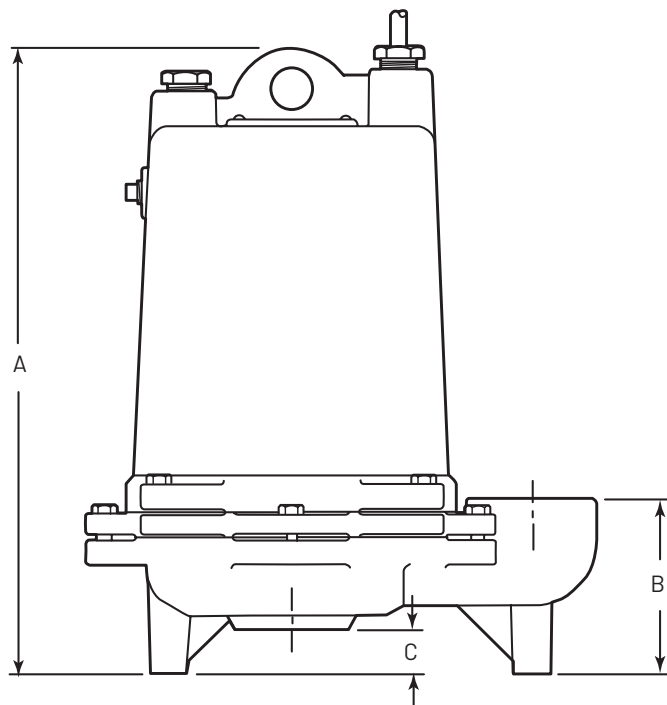
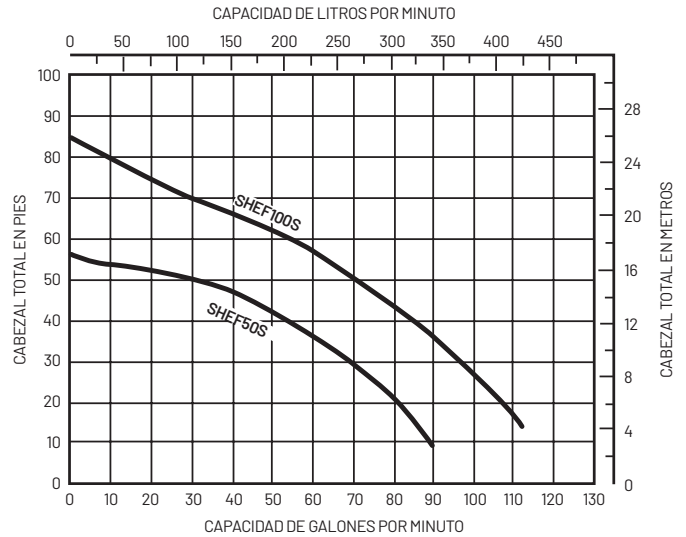
- ◆ SHEF100SA2 20
- ◆ SHEF100SM2 20
- ◆ SHEF100SM3 20
- ◆ SHEF100SM5 20
- ◆ SHEF50SA1 20
- ◆ SHEF50SA2 20
- ◆ SHEF50SM1 20
- ◆ SHEF50SM2 20
- ◆ SHEF50SM5 20

DIMENSIONES

DIMENSIONES DE LAS SERIES

SERIE DEL MODELO	PULGADAS (MILÍMETROS)			
	A	B	C	F
SHEF50S	16.8 (427)	4.09	1.03	12.13
SHEF100s	16.8 (427)	4.00	1.06	12.5

CURVA DE RENDIMIENTO



ESPECIFICACIONES

TABLA DE DATOS DEL MOTOR

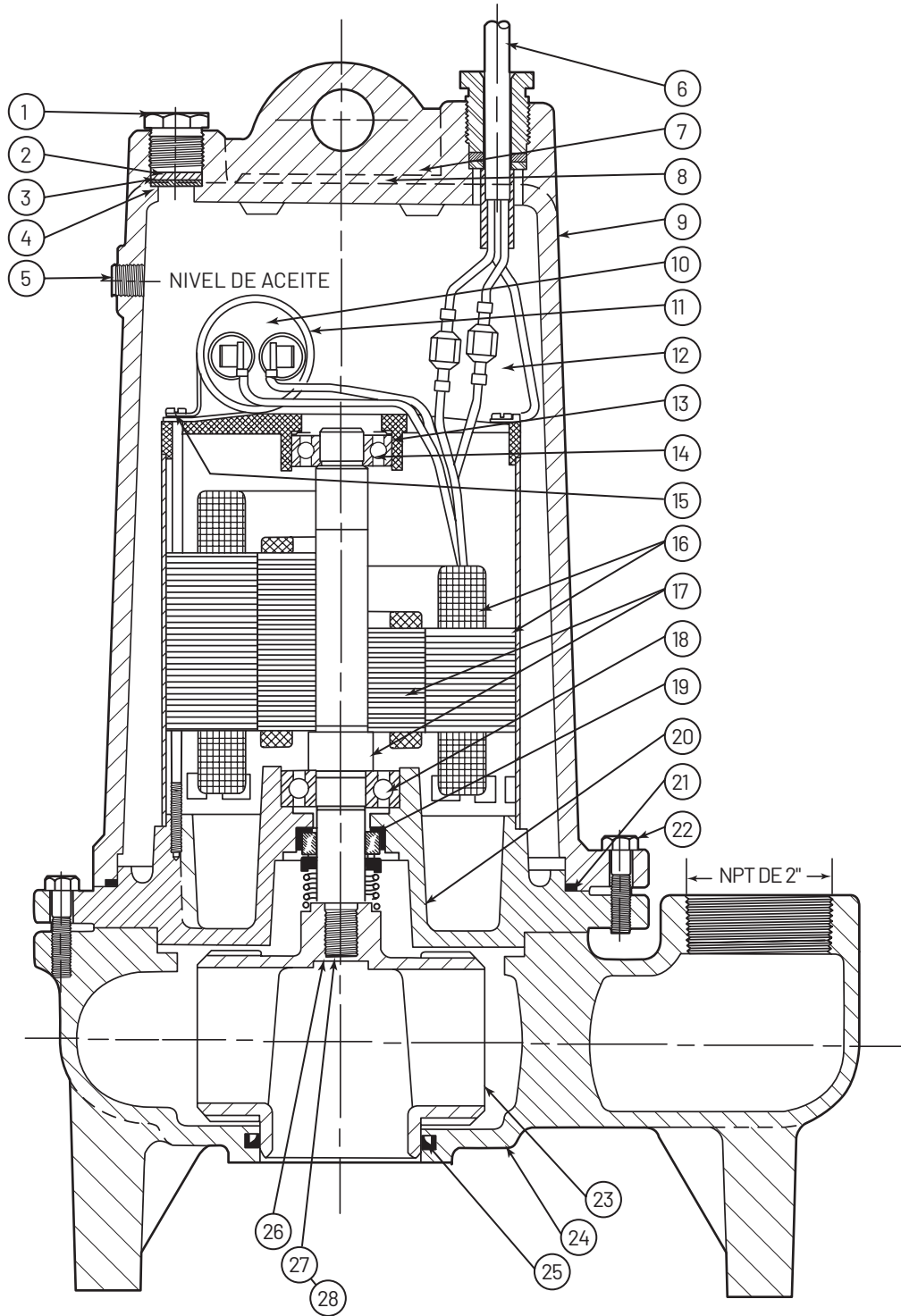
H.P.	VELOCIDAD	VOLTIOS	FASE	ALTURA DE LA BASE	RESISTENCIA AL BOBINADO EN OHMIOS			AMPERIOS MÁX.	AMPERIOS DEL ROTOR BLOQUEADO
					PRINCIPAL NEGRO A BLANCO	ENCENDIDO - 1Ø	BLANCO A ROJO		
						MARRÓN A MARRÓN O PÚRPURA			
1/2	3450	115	1	1-5/8	.9/.8	14.7	-	12.1	29.6
		230			9.8	19.7		6.0	15.0
1		230	3	2-1/2	3.0/2.6	16/14		9.3	19.0
		208/230			5.3	5.3	5.3	6.6/6.0	29.0
		575			33.1	33.1	33.1	2.4	11.6

ESPECIFICACIONES DE LA BOMBA

NÚMERO DE MODELO	NO. DE FABRICACIÓN	HP	VOLTIOS	FASE/CICLOS	TAMAÑO DE LA DESCARGA	TIPO DE INTERRUPTOR	LONGITUD APROX. DEL CABLE	PESO LB
SHEF100SA2 20	528680007	1	230	1/60	2"	Manual	20'	83
SHEF100SM2 20	528680017	1	230	1/60	2"	Manual	20'	83
SHEF100SM3 20	528680027	1	230	3/60	2"	Manual	20'	83
SHEF100SM5 20	528680047	1	575	3/60	2"	Manual	20'	83
SHEF50SA1 20	528670007	1/2	115	1/60	2"	Manual	20'	73
SHEF50SA2 20	528670027	1/2	230	1/60	2"	Manual	20'	74
SHEF50SM1 20	528670017	1/2	115	1/60	2"	Manual	20'	73
SHEF50SM2 20	528670037	1/2	230	1/60	2"	Manual	20'	74
SHEF50SM5 20	528670067	1/2	575	3/60	2"	Manual	20'	74

ESTA PÁGINA SE DEJÓ EN BLANCO DE MANERA INTENCIONAL

LISTA DE PARTES DE REPUESTO



LISTA DE PARTES DE REPUESTO

REF.	DESCRIPCIÓN	CANT.	NÚMEROS DE PARTES
1	Tuerca, clavija del cable, sólido	1	25341A002
2	Arandela, 1/32" de grosor	1	05030A234
3	Junta, caucho	1	05014A193
4	Arandela, 3/32" de grosor	1	05030A235
5	Tapón, tubería de 1/4"	1	05022A009
6	Cable, alimentación	1	Ver tabla
7	Tornillo, unidad	2	05160A004
8	Placa	1	N/A
9	Carcasa, motor	1	25327D000
10	Condensador (monofásico únicamente)	1	Ver tabla
11	Clip, condensador (monofásico únicamente)	1	Ver tabla
12	Aceite, transformador	.8-1 gal	11009A006
12 A	Conectores (trifásicos únicamente)	3-6	15781A001
13	Arandela, cojinete	1	19331A005
14	Cojinete, bola, superior	1	08565A013
15	Tornillo, acero, #10 x 3/8	2	09822A032
16 y 17	Estator, eje de rotor con carcasa	1	Ver tabla
18	Cojinete, bola, inferior	1	08565A022
19	Sello, eje	1	25370A000
20	Placa, cojinete y sello	1	25367D000
21	Junta, TetraSeal, 7x6-3/4x1/8	1	05014A181
22	Tornillo, cabeza, 5/16 x 1-1/4	8	19100A012
23	Impulsor	1	Ver tabla
24	Carcasa, voluta	1	25357D000
25	Sello, U, HUVA	1	22835A005
26	Arandela, retén del impulsor	1	05030A242
27	Tornillo, maquinado #10 x 3/8	1	06106A042
28	Sellador	1	14550A001

NÚMERO DE ARTÍCULO			6	10	11	16 Y 17	23	
HP	VOLTIOS	PH	CABLE DE ALIMENTACIÓN C/ENCHUFE	CABLE DE ALIMENTACIÓN SIN ENCHUFE	CONDENSADOR	CLIP DEL CONDENSADOR	ROTOR DEL ESTATOR Y ENSAMBLAJE DE EJE	IMPULSOR PLÁSTICO
1/2	115	1	25338B004	25338B006	23839A000	20333A006	25484D100	25333B025
	230		25338B005				25484D101	
1	230	1	25338B001	25338A002	23839A000	20333A004	25484D105	25348B010
	230	3		25338B003			25484D106	
	575					25484D107		

GARANTÍA ESTÁNDAR LIMITADA

GARANTÍA ESTÁNDAR LIMITADA

Pentair Hydromatic® garantiza que sus productos se entregan sin defectos en los materiales ni en la mano de obra, y tienen un período de garantía de 12 meses a partir de la fecha de envío desde Pentair Hydromatic o de 18 meses desde la fecha de fabricación, lo que ocurra primero, siempre y cuando dichos productos se usen de conformidad con los requisitos del catálogo y los manuales técnicos de Pentair Hydromatic para el bombeo de aguas residuales, tratamiento de aguas municipales o similar y líquidos no corrosivos y sin agentes abrasivos.

Durante el período de garantía y sujeto a las condiciones establecidas, Pentair Hydromatic, a su exclusivo criterio, reparará o reemplazará las partes que tengan defectos demostrables en los materiales o la fabricación para el usuario original. Pentair Hydromatic se reserva el derecho de cambiar o mejorar sus productos o alguna parte de los mismos sin tener la obligación de proporcionar dichos cambios o mejoras a las unidades vendidas o enviadas con anterioridad a la implementación.

Como prueba de los reclamos de garantía, se pueden exigir informes de puesta en marcha y un esquema eléctrico. Al momento de la puesta en marcha, enviar a través del sitio web de Pentair Hydromatic: <http://forms.pentairliterature.com/startupform/startupform.asp?type=h>. La garantía tiene vigencia únicamente si Pentair Hydromatic autorizó los paneles de control utilizados. Todos los dispositivos de detección de calor y falla de sellos deben estar conectados, en funcionamiento y monitoreados o esta garantía dejará de tener validez. Pentair Hydromatic cubrirá únicamente el sello inferior y la mano de obra del mismo para todas las bombas de doble sello. Bajo ninguna circunstancia Pentair Hydromatic será responsable del costo de la mano de obra de campo, los viáticos, el alquiler de equipos, los gastos de extracción/reinstalación o los costos de flete hacia y desde la fábrica o alguna planta de servicios de Pentair Hydromatic.

Esta garantía limitada no tendrá validez ante: (a) defectos o malfuncionamiento producidos por instalar, operar o mantener la unidad de manera inadecuada según las instrucciones impresas proporcionadas; (b) fallas producidas por el uso indebido, accidentes o negligencia; (c) servicios de mantenimiento normales o partes usadas en relación con dicho servicio; (d) unidades que no se instalen de acuerdo con los códigos, ordenanzas y prácticas de comercio locales vigentes; (e) el traslado de la unidad desde el lugar donde se instaló originalmente; (f) el uso de la unidad para fines que no se incluyen en los que se tuvieron en cuenta para el diseño y fabricación de la unidad; (g) unidades que hayan sido reparadas o alteradas por otros que no sean Pentair Hydromatic o un proveedor de servicios autorizado por Pentair Hydromatic; (h) ninguna unidad que haya sido reparada con partes que no sean del fabricante o no hayan sido especificadas por el fabricante.

Garantía y exclusiones: PENTAIR HYDROMATIC NO OTORGA NINGUNA GARANTÍA DE MANERA EXPRESA O IMPLÍCITA MÁS ALLÁ DE LO DESCRITO EN EL PRESENTE DOCUMENTO. PENTAIR HYDROMATIC EXCLUYE ESPECÍFICAMENTE LAS GARANTÍAS IMPLÍCITAS DE COMERCIALIZACIÓN E IDONEIDAD PARA UN FIN ESPECÍFICO.

Limitación de responsabilidad: BAJO NINGUNA CIRCUNSTANCIA, PENTAIR HYDROMATIC SERÁ RESPONSABLE DE DAÑOS CONSECUENTES, INCIDENTALES O ESPECIALES PRODUCIDOS O RELACIONADOS DE ALGUNA MANERA CON ALGÚN PRODUCTO O PARTE DE PENTAIR HYDROMATIC. SE PUEDEN PRODUCIR LESIONES PERSONALES Y/O DAÑOS A LA PROPIEDAD POR LA INSTALACIÓN INADECUADA. PENTAIR HYDROMATIC NIEGA TODO TIPO DE RESPONSABILIDAD, INCLUIDA LA RESPONSABILIDAD BAJO ESTA GARANTÍA, POR LA INSTALACIÓN INADECUADA. PENTAIR HYDROMATIC RECOMIENDA QUE LA INSTALACIÓN SEA REALIZADA POR PROFESIONALES.

Algunos estados no permiten algunas o ninguna de las limitaciones de garantía mencionadas arriba, o la exclusión o limitación de daños consecuentes, por lo tanto, es posible que dichas limitaciones no rijan en su caso. Ninguna garantía o declaración hecha en algún momento por algún representante de Pentair Hydromatic modificará ni ampliará lo establecido en el presente documento.

Garantía Rev. 09/18



1101 Myers Parkway
Ashland, Ohio 44805
Tel.: 855.274.8947

490 Pinebush Road
Unit 4
Cambridge, Ontario, Canada N1T 0A5
Tel.: 800.363.7867
Fax: 888.606.5484

pentair.com

Todas las marcas comerciales y logotipos de Pentair mencionados son propiedad de Pentair. Las marcas comerciales y los logotipos registrados y no registrados de terceros son propiedad de sus respectivos titulares. Debido a que mejoramos continuamente nuestros productos y servicios, Pentair se reserva el derecho de modificar las especificaciones sin previo aviso. Pentair es un empleador que ofrece igualdad de oportunidades.

©2022 Pentair. Todos los derechos reservados.

056255661(01-02-22)