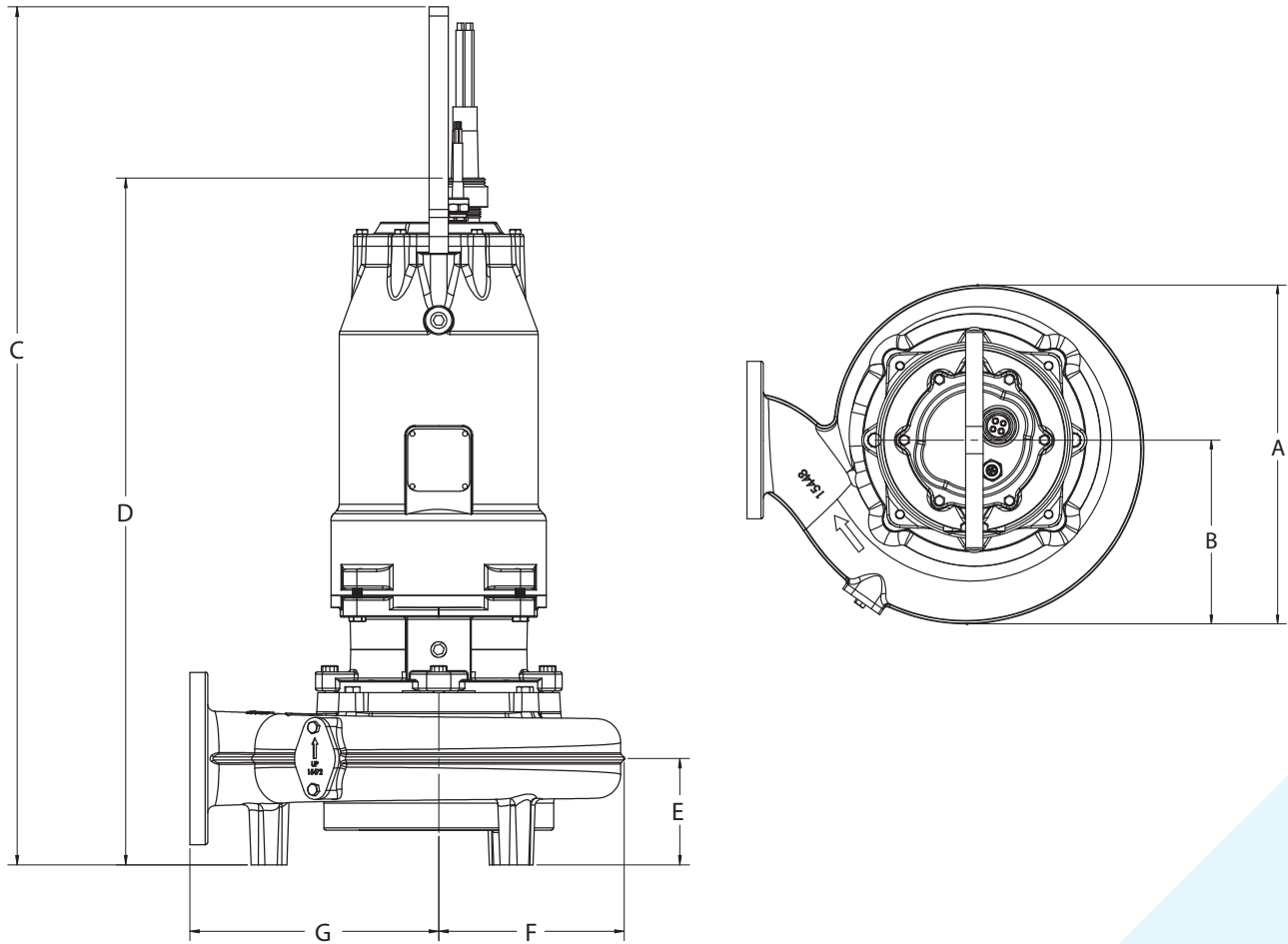


SUBMERSIBLE SOLIDS HANDLING PUMPS

HPS3SC(X), HPS4SC(X), HPS4HC(X), HPS6MC(X) SERIES



MODEL	A	B	C	D	E	F	G
HPS3SC(X)	13.76	7.32	44.7	35.75	5.84	6.78	9.50
HPS4SC(X)	13.76	7.32	44.7	35.75	5.84	6.78	12.25
HPS4HC(X)	19.36	10.50	44.83	35.87	5.56	9.69	13.00
HPS6MC(X)	17.34	9.65	45.20	36.25	5.92	8.66	13.00

All measurements in inches.

1101 Myers Parkway
Ashland, OH 44805
Ph: 855.274.8947
Fx: 800.426.9446

490 Pinebush Rd., Unit 4
Cambridge, Ontario N1T 0A5, Canada
Ph: 800.363.7867
Fx: 888.606.5484

pentair.com/hydromatic