



COOL UNDER PRESSURE

PREMIUM EFFICIENT SOLIDS HANDLING PUMPS HPE SERIES



pentair.com/hydromatic

PENTAIR® HYDROMATIC® HPE SERIES PREMIUM EFFICIENT SOLIDS HANDLING PUMPS

You have enough pressure on you to maintain your wastewater systems and helping ensure they operate smoothly, efficiently, continuously. Hydromatic HPE Series Pumps can take that pressure off you.

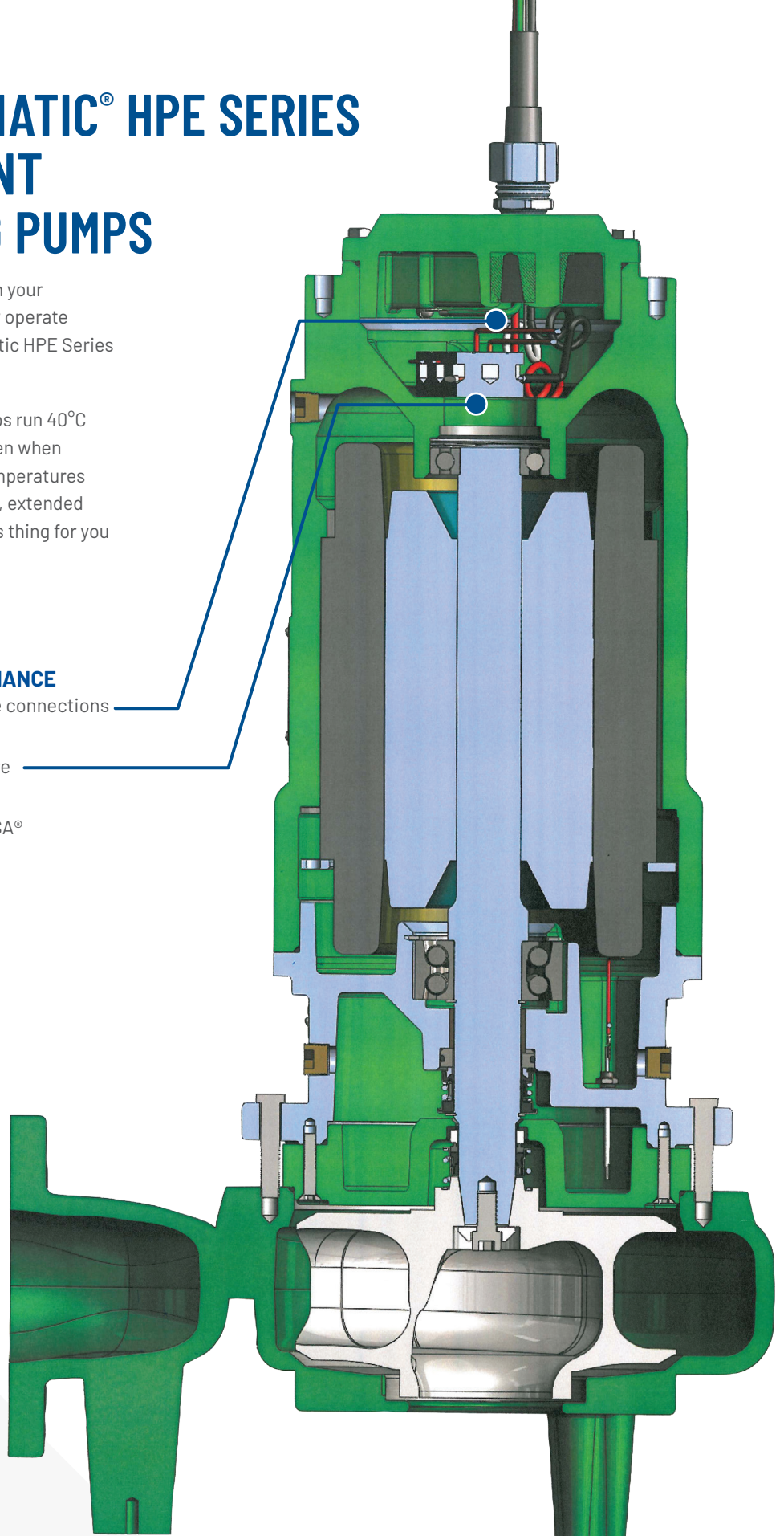
That's because Hydromatic HPE Series Pumps run 40°C cooler than other solids-handling pumps, even when operating under pressure. Lower running temperatures mean more efficiency, lower operating costs, extended pump life and less maintenance. And one less thing for you to worry about.

LOWER COST OF OWNERSHIP

- ◆ Superior wire-to-water efficiencies

EASE OF INSTALLATION AND MAINTENANCE

- ◆ Simple terminal block provides positive connections no boxes, nuts or crimps needed
- ◆ Permanently lubricated bearings require no regular maintenance
- ◆ Seal replacements do NOT void FM®/CSA® certification



HYDROMATIC HPE SERIES PREMIUM EFFICIENT SOLIDS HANDLING PUMPS

LONGER PUMP LIFE

- ◆ Cooler temperature results in longer life
- ◆ Continuous-duty rated motor (Class H, VFD rated) ensures long-lasting operation
- ◆ Non-toxic oil filled motor provides superior heat transfer
- ◆ Seal leak detection system alerts of liquid intrusion past the outboard seal
- ◆ Shaft grounding option for VFD prevents premature bearing failure

HYDROMATIC HPE AGAINST THE COMPETITION

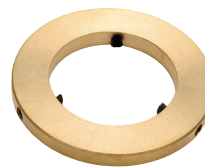
FEATURES	PENTAIR HYDROMATIC HPE	COMPETITION
Superior Cooling	✓ Oil-Filled Motor	✗ Air-Filled Motor
Continuous Bearing Lubrication	✓ Continuously Oil Lubricated Maintenance Free Bearings	✗ Grease Packed Bearings That Require Yearly Maintenance
Superior Motor Moisture Protection	✓ Seal Leakage Detection Probes in Lower Seal Chamber	✗ Probes in Motor Housing
Superior Bearing Protection	✓ Optional Shaft Grounding Ring	✗ No Option for Shaft Grounding

ENGINEERED FOR PERFORMANCE



TERMINAL BLOCK**

Terminal Block provides simple, superior electrical connection and easy service



SHAFT GROUND RING

Shaft Ground Ring features proprietary conductive filaments to provide superior grounding and protect bearings



DOUBLE ROW ANGULAR CONTACT BEARINGS

Double Row Angular Contact Lower Bearings result in fewer service calls over operating life



MECHANICAL SEALS

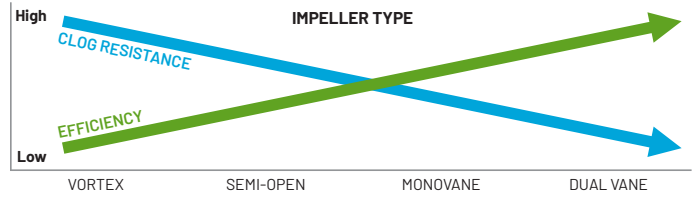
Mechanical Seals help provide durability and ease of installation

** Terminal block featured on 210 frame pumps, and select 460 volt and 575 volt pumps 250 frame and larger.

CHOOSING THE RIGHT PENTAIR HYDROMATIC HPE SERIES PUMP

1 Use the Pentair Encompass Pump Selection Tool at pentair.com/encompass to identify pumps that meet flow and head requirements.

2 Choose the right pump based on efficiency and solids handling needs.



MODEL	DISCHARGE	IMPELLER	MOTOR FRAME	HORSEPOWER			
				870 RPM	1150 RPM	1750 RPM	3450 RPM
H3H(X)P	3"	Monovane	210			7.5-15	
H4H(X)P	4"	Monovane	210			7.5-15	
S4M(X)P	4"	Dual Vane	210		3-5	5-15	
S4MV(X)P	4"	Vortex	210		3-5	5-15	
S4P(X)P	4"	Dual Vane	210			5-15	
S4HV(X)P	4"	Vortex	210				7.5-15
C4S(X)P	4"	Semi-open	210		3-5	7.5-15	
C4H(X)P	4"	Semi-open	250			20-40	
H4Q(X)P	4"	Monovane	250			20-40	
S4K(X)P	4"	Dual Vane	250			20-40	
S4B(X)P	4"	Dual Vane	250	5-7.5	7.5-15	20-40	
S4L(X)P	4"	Dual Vane	250	5-7.5	7.5-15	20-40	
S4LV(X)P	4"	Vortex	250	5-7.5	7.5-15	20-40	
S4T(X)P	4"	Dual Vane	320/360			75-150	
S6L(X)P	6"	Dual Vane	250	5-7.5	7.5-15	20-40	
S6A(X)P	6"	Dual Vane	250	5-7.5	7.5-15	20-40	
S8F(X)P	8"	Dual Vane	250	5-7.5	7.5-15	20-40	
S8LA(X)P	8"	Dual Vane	320/360			75-150	
S8L(X)P	8"	Dual Vane	320/360	20-25	40-60	75-150	
S12L(X)P	12"	Dual Vane	320/360	20-40	40-75	75-150	



1101 Myers Parkway | Ashland, Ohio 44805 | Ph: 855.274.8947 | pentair.com/hydromatic

All indicated Pentair trademarks and logos are property of Pentair. Third party registered and unregistered trademarks and logos are the property of their respective owners. Because we are continuously improving our products and services, Pentair reserves the right to change specifications without prior notice. Pentair is an equal opportunity employer.

All FM Approvals' certification marks are the sole property of FM Approvals LLC.

CSA is a registered trademark of CSA Group. All rights reserved

©2023 Pentair. All Rights Reserved.

HYD10815 (03-23-23)