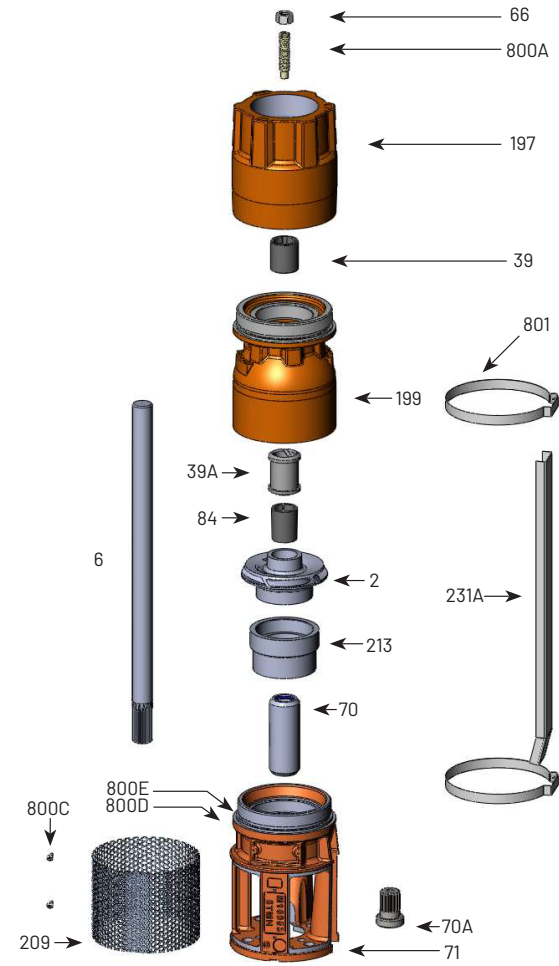


Submersible Turbines	
Section	ST-5TMH
Page	1.0
Date	February 4, 2021
Supersedes	June 4, 2018



Trim	"D" Diameter inches (mm)	"H" Height inches (mm)	∠
"A"	4.275 (108.6)	1.15 (29.2)	24°
"B"	3.793 (96.4)	1.08 (27.4)	24°

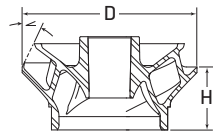


Table 4 - 60Hz Staging Requirements Build Table

Series(5)	HP / Kw	Stages	Qty of Each Trim			416 ss shaft(6)		Ion-nitride shaft(6)		Shaft Length in / (mm)	Cable Guard Length(7) in / (mm)	Assembled pump length (motor not included) in / (mm)
			A trim	B trim	C trim	Shaft p/n	Pump Catalog Number	Shaft p/n	Pump Catalog Number			
5TMH7.5-425	7.5 / 5.6	1	1	-	-	B86720	M16003	B86720N	M16295	12.75 / (323.9)	9.25 / (235)	18.08 / (459.2)
5TMH10-425	10 / 7.5	2	1	-	1	B86721	M16191	B86721N	M16199	19.5 / (495.3)	16 / (406.4)	24.83 / (630.7)
5TMH15-425	15 / 11.2	3	1	-	2	B87178	M16192	B87178N	M16200	26.25 / (666.8)	22.75 / (577.9)	31.58 / (802.1)
5TMH20-425	20 / 14.9	4	2	1	1	B86723	M16193	B86723N	M16201	33 / (838.2)	29.5 / (749.3)	38.33 / (973.6)
5TMH25-425	25 / 18.6	5	3	-	2	B86724	M16194	B86724N	M16202	39.75 / (1009.7)	36.25 / (920.8)	45.08 / (1145)
5TMH30-425	30 / 22.4	6	4	-	2	B86725	M16195	B86725N	M16203	46.5 / (1181.1)	43 / (1092.2)	51.83 / (1316.5)
5TMH40-425	40 / 29.8	7	7	-	-	B86726	M16317	B86726N	M16543	53.25 / (1352.6)	49.75 / (1263.7)	58.58 / (1487.9)
5TMH50-425	50 / 37.3	9	8	1	-	B86727	M16318	B86727N	M16544	66.75 / (1695.5)	63.25 / (1606.6)	72.08 / (1830.8)
5TMH60-425	60 / 44.7	10	10	-	-	B86728	M16197	B86728N	M16205	73 / (1854.2)	70 / (1778)	78.83 / (2002.3)

(5) = effective assembled pump diameter, with cable guard lying flat against pump, is 5.625" (143 mm)
 (6) = for both 4" and 6" motors, the same shaft and cable guards are used
 (7) = Cable Guard p/n 308666000 is sold in 12"(3.66m) lengths only

293 Wright Street | Delavan, WI 53115 | Ph: 888-237-5353 | Orders Fax: 800-321-8793 | pentair.com/berkeley

Pentair trademarks and logos are owned by Pentair or its affiliates. Third party registered and unregistered trademarks and logos are the property of their respective owners. Because we are continuously improving our products and services, Pentair reserves the right to change specifications without prior notice. Pentair is an equal opportunity employer. *Vesconite® is a registered trademark of Virginia Engineering Services(Pty)Limited.

TABLE 1 - 5TMH-110 Common Parts Group

Item Number	Part Number	Description	Material	Material Reference	Required Qty (per stage)
2	See Table 3	Impeller	316 stainless steel	AISI 316 UNS S31600	1
6	See Table 4	Shaft	416 stainless steel	AISI 416 UNS S41600	1
39	M15686	Top Bearing	Vesconite		1
39A	S13636	Bowl Bearing	Rubber	Neoprene	1
66	M15881	Upthrust Nut, 1/2-13 LH			1
70	B86966	6" Motor Coupling	416 stainless steel	AISI 416 UNS S41600	1
70A	M15847	4" Motor Coupling	416 stainless steel	AISI 416 UNS S41600	1
71	M16053	Motor Suction Bracket(1)	ductile iron	ASTM A536-84 64-45-12	1
84	S05301	Collet, 1"	steel	AISI 1226	1
199	B86656	Bowl, with bearing	class 30 grey iron	ASTM A48 Class 30	1
197	M16055	Discharge adapter(2)	ductile iron	ASTM A536-84 64-45-12	1
209	M16056	Suction Screen	302 stainless steel	AISI 302 UNS S30400	1
231A	308666000	Cable guard	302 stainless steel	AISI 302 UNS S30200	see Table 4
800A	M15882	Upthrust Screw, 1/2-13 LH			1
800C	M15937	Suction Screen Screw, 8-32 x 3/8 PH			2
801	M15878	Cable guard clamp			2
Not illustrated	B86187	Bolt Kit, 6" motor			1
Not illustrated	M15847	Adapter Kit, 4" motor			1
Not illustrated	M15847	Adapter Kit, 4" motor			1

B87175 - Literature Package:
 (1) = motor bracket is dual-machined for 4" and 6" motors
 (2) = discharge adapter assembly (p/n B86418) includes items 39, 66, 197, and 800A

TABLE 2 - Additional Staging

Item Number	Part Number	Description	Material	Material Reference	Required Qty (per stage)
39A	S13636	Bowl Bearing	Rubber	Neoprene	1
	S10708	Bowl Bearing (optional)(4)	Bronze		1
199	B86656	Bowl, with bearing	class 30 grey iron	ASTM A48 Class 30	1
84	S05301	Collet, 1"	steel	AISI 1226	1
2	See Table 3	Impeller	316 stainless steel	AISI 316 UNS S31600	1

(4) = bronze bearing may be used in place of the standard Neoprene bearing

TABLE 3 - Impeller Information

Item Number	Part Number	Description / Diameter (D)	Height (H)	Angle ()	"Required Qty (per stage)"
2	M16424	"A" impeller, 4.37" (111mm)	1.258" (31.95mm)	40°	See Table 4
	M16425	"B" impeller, 4.15" (105.4mm)	1.408" (35.76mm)	40°	
	M16426	"B" impeller, 3.95" (100.3mm)	1.548" (39.32mm)	40°	