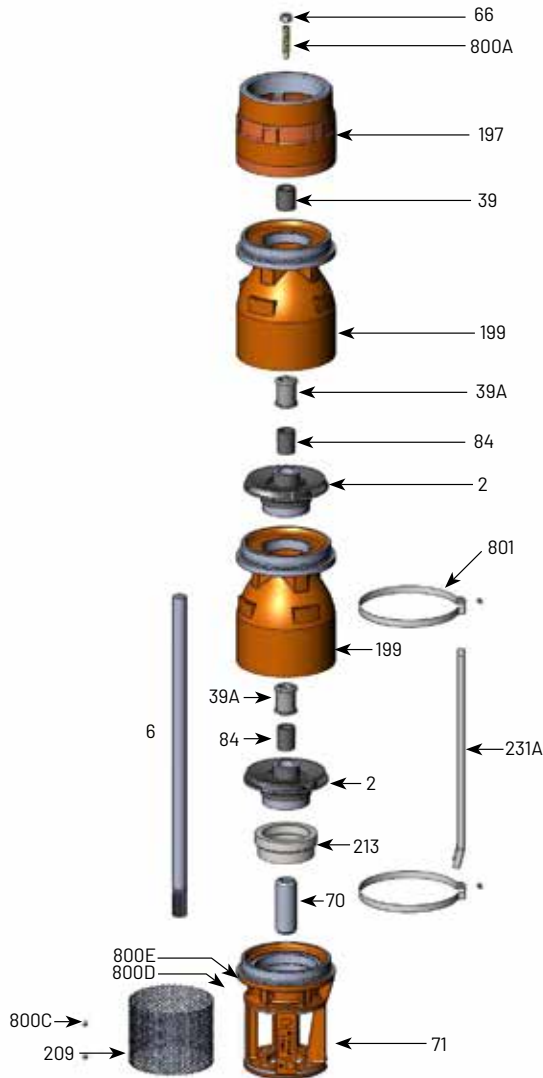


## 7TMH SERIES

### 350 GPM, 60HZ, NPT, 6" MOTOR

Section	ST-7TMH
Page	1.0
Date	June 4, 2018
Supersedes	March 1, 2016



Item Number	Part Number	Description	Required Qty
2	See Table 3	Impeller	1 Per Stage
6	See Table 4	Shaft	1
39	M15886	Vesconite Bearing	1
39A	S13636	Neoprene Bearing	1 Per Stage
66	M15881	Upthrust Nut, 1/2-13 LH	1
70	B86966	6" Motor Coupling	1
71	M16386	7TMH 6" Motor Suction Bracket*	1
84	S05301	1" Collet	1 Per Stage
197	M16387	7TMH discharge 5 x 6 NPT**	1
199	B86969	7TMH-350 Bowl (incl. Neoprene Bearing)	1 Per Stage
209	M16565	Suction Screen	1
213	M16627	Insert 7TMH-350 6" Suction Bracket	1
231A	308666000	Cable Guard, 12' material	1
800A	M15882	Upthrust Screw, 1/2-13 LH	1
800C	M15937	Screen Screw, 8-32 x 3/8 Panhead	2
800D	M10199	Rivet, 3/32	2
800E	M09653	Nameplate	1
801	M15880	7TMH Cable Guard Clamp	2
Not Illustrated	M09970	Tag, Upthrust Adjustment	1
Not Illustrated	B86187	Bolt Kit, 6" Motor	1
Not Illustrated	BE972	Owner's Manual	1

\*Note 1: B86886, includes items 39, 66, 197, 800A  
 \*\*Note 2: B86967 includes 71 and 213

Item Number	Part Number	Description	Required Qty
39A	S13636	Neoprene Bearing	1 Per Stage
	S10708	Bronze Bearing	
199	B86969	7TMH-350 Bowl (incl. Neoprene Bearing)	1 Per Stage
84	S05301	1" Collet	1 Per Stage
2	See Table 3	Impeller	1 Per Stage

Note 3: Bronze bearing may be used in place of the standard Neoprene Bearing.

Item Number	Part Number	Description	Required Qty
2	M16624	7TMH-350 "A" Impeller 5.736"	See Table 4

TABLE 4 - 60 Hz Staging Requirements Build Table

Series	HP/kW	Stages	Trim	416 SS shaft		Ion-nitride shaft		Shaft Length (in/mm)	Cable Guard Length'	Assembled pump length (motor not included)
			"A"	Pump catalog number	416 SS Shaft p/n'	Pump catalog number	Ion Nitride Shaft p/n'			
7TMH10-350	10/7.5kW	1	1	B87009	M16687	B87009N	M16687N	15.25 in/387.35 mm	11 in/279.4 mm	21.35 in/542.29 mm
7TMH20-350	20/14.9kW	2	2	B87010	M16688	B87010N	M16687N	23.25 in/590.55 mm	19 in/482.6 mm	29.95 in/760.73 mm
7TMH30-350	30/22.4kW	3	3	B87011	M15919	B87011N	M15950	31.25 in/793.75 mm	27 in/685.8 mm	38.55 in/979.17 mm
7TMH40-350	40/29.8kW	4	4	B87012	M16689	B87012N	M16689N	39.25 in/996.95 mm	35 in/889 mm	47.15 in/1197.61 mm
7TMH50-350	50/37.3kW	5	5	B87013	M16690	B87013N	M16690N	47.25 in/1200.15 mm	43 in/1092.2 mm	55.75 in/1416.05 mm
7TMH60-350	60/44.7kW	6	6	B87014	M16099	B87014N	M16132	55.25 in/1403.35 mm	51 in/1295.4 mm	64.35 in/1634.49 mm

Note 4: effective assembled pump diameter with cable guard lying flat against pump is 7.5 inches

Note 5: 6" and 8" pumps use the same shaft and cable guards.

Note 6: Cable guard 308666000 sold in 12' (3.66M) lengths only