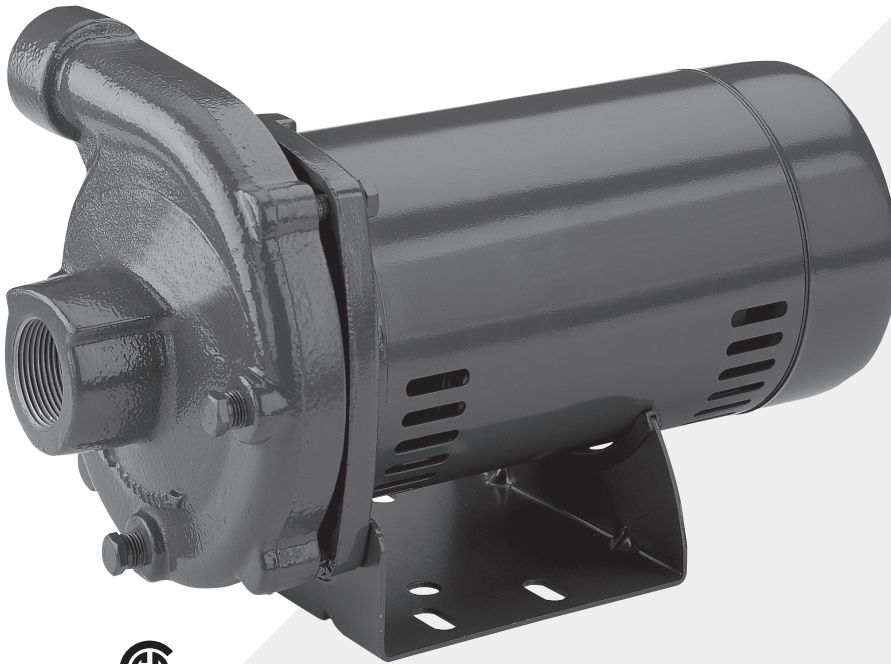


# CP/CB Series

General Purpose Centrifugal Pumps



The CP/CB Series Pumps feature heavy-duty cast iron construction and are offered in high and medium head models, with Noryl® or silicon bronze impellers.

## Applications

**Water Systems and Sprinkling** – for homes, farms, and industry

## SPECIFICATIONS

**Volute and Seal Plate:** close-grained cast iron

**Impellers:** CP Series = Noryl; CB Series = silicon bronze

**Base Plate:** 12 gauge stamped steel

**Motor Shaft:** 300 series stainless steel

**Mechanical Seal:** Carbon ceramic faces, BUNA-N cup and bellows

## SERIES FEATURES

**1/2hp through 2-1/2hp:** high head performance models, heavy-duty motors, easy serviceability, and four-position discharge

**Drain Port:** provided for easy winterizing

**Performance Range, High Head Models:** up to 150'+ of head, with capacities to over 100 gpm.

**Performance Range, Medium Head Models:** up to 100'+ of head, with capacities to over 110 gpm.

**Easy Serviceability:** all models feature a replaceable wear ring, and a back pull-out design

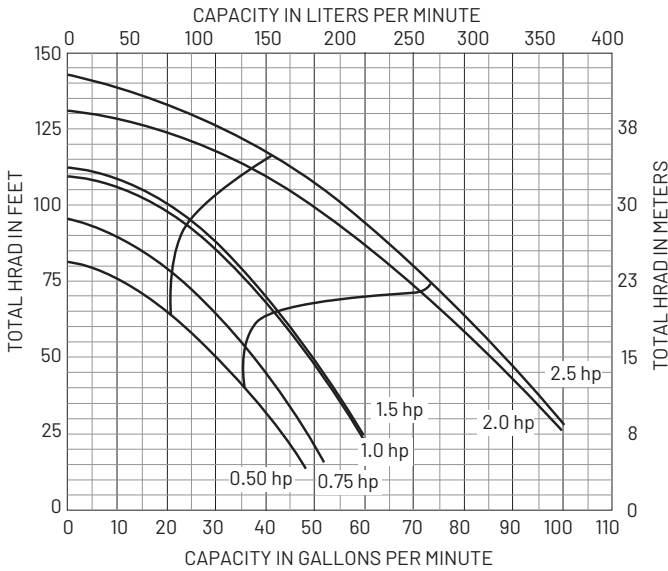
**CP Series - Noryl Impellers:** abrasion resistant for normal applications and working temperatures to 140 F

**CB Series - Silicon Bronze Impellers:** include shaft seals rated for working temperatures to 225 F

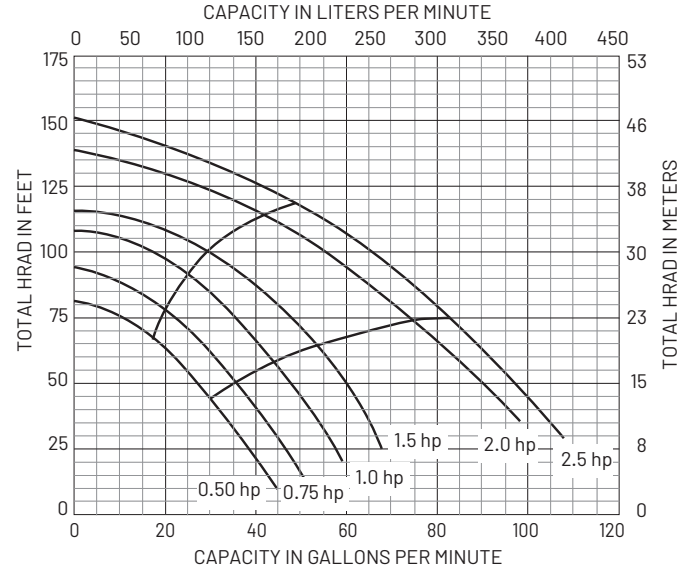
**ORDERING INFORMATION**

| HIGH HEAD       |                |                         |                |       |                    |        |               |       |                  |
|-----------------|----------------|-------------------------|----------------|-------|--------------------|--------|---------------|-------|------------------|
| NORYL® IMPELLER |                | SILICON BRONZE IMPELLER |                | HP    | PIPE TAPPING SIZES |        | MOTOR VOLTAGE | PHASE | APPROX. WT. LBS. |
| MODEL NUMBER    | CATALOG NUMBER | MODEL NUMBER            | CATALOG NUMBER |       | SUCT.              | DISCH. |               |       |                  |
| CP1XPHS         | S39516         | CB1XPHS                 | S39529         | 1/2   | 1-1/4"             | 1"     | 115/230       | 1     | 39               |
| CP1XPHS         | S39517         | CB1XPHS                 | S39530         |       | 1-1/4"             | 1"     | 208-230/460   | 3     | 39               |
| CP1XPHS         | S39517-575T    | CB1XPHS                 | S39530-575T    |       | 1-1/4"             | 1"     | 575           | 3     | 40               |
| CP1XPHS         | S39518         | CB1XPHS                 | S39531         | 3/4   | 1-1/4"             | 1"     | 115/230       | 1     | 42               |
| CP1XPHS         | S39519         | CB1XPHS                 | S39532         |       | 1-1/4"             | 1"     | 208-230/460   | 3     | 42               |
| CP1XPHS         | S39519-575T    | CB1XPHS                 | S39532-575T    |       | 1-1/4"             | 1"     | 575           | 3     | 43               |
| CP1XPHS         | S39520         | CB1XPHS                 | S39533         | 1     | 1-1/4"             | 1"     | 115/230       | 1     | 45               |
| CP1XPHS         | S39521         | CB1XPHS                 | S39534         |       | 1-1/4"             | 1"     | 208-230/460   | 3     | 45               |
| CP1XPHS         | S39521-575T    | CB1XPHS                 | S39534-575T    |       | 1-1/4"             | 1"     | 575           | 3     | 46               |
| CP1XPHS         | S39522         | CB1XPHS                 | S39535         | 1-1/2 | 1-1/4"             | 1"     | 115/230       | 1     | 49               |
| CP1XPHS         | S39523         | CB1XPHS                 | S39536         |       | 1-1/4"             | 1"     | 208-230/460   | 3     | 49               |
| CP1XPHS         | S39523-575T    | CB1XPHS                 | S39536-575T    |       | 1-1/4"             | 1"     | 575           | 3     | 50               |
| CP1-1/4TPHS     | S39524         | CB1-1/4TPHS             | S39537         | 2     | 1-1/2"             | 1-1/4" | 115/230       | 1     | 69               |
| CP1-1/4TPHS     | S39525         | CB1-1/4TPHS             | S39538         |       | 1-1/2"             | 1-1/4" | 208-230/460   | 3     | 69               |
| CP1-1/4TPHS     | S39525-575T    | CB1-1/4TPHS             | S39538-575T    |       | 1-1/2"             | 1-1/4" | 575           | 3     | 70               |
| CP1-1/2TPHS     | S39526         | CB1-1/2TPHS             | S39539         | 2-1/2 | 2"                 | 1-1/2" | 115/230       | 1     | 74               |
| CP1-1/2TPHS     | S39527         | CB1-1/2TPHS             | S39540         |       | 2"                 | 1-1/2" | 208-230/460   | 3     | 74               |
| CP1-1/2TPHS     | S39527-575T    | CB1-1/2TPHS             | S39540-575T    |       | 2"                 | 1-1/2" | 575           | 3     | 75               |
| MEDIUM HEAD     |                |                         |                |       |                    |        |               |       |                  |
| NORYL IMPELLER  |                | SILICON BRONZE IMPELLER |                | HP    | PIPE TAPPING SIZES |        | MOTOR VOLTAGE | PHASE | APPROX. WT. LBS. |
| MODEL NUMBER    | CATALOG NUMBER | MODEL NUMBER            | CATALOG NUMBER |       | SUCT.              | DISCH. |               |       |                  |
| CP1MPS          | S39490         | CB1MPS                  | S39503         | 1/2   | 1-1/4"             | 1"     | 115/230       | 1     | 39               |
| CP1MPS          | S39491         | CB1MPS                  | S39504         |       | 1-1/4"             | 1"     | 208-230/460   | 3     | 39               |
| CP1MPS          | S39491-575T    | CB1MPS                  | S39504-575T    |       | 1-1/4"             | 1"     | 575           | 3     | 40               |
| CP1MPS          | S39492         | CB1MPS                  | S39505         | 3/4   | 1-1/4"             | 1"     | 115/230       | 1     | 42               |
| CP1MPS          | S39493         | CB1MPS                  | S39506         |       | 1-1/4"             | 1"     | 208-230/460   | 3     | 42               |
| CP1MPS          | S39493-575T    | CB1MPS                  | S39506-575T    |       | 1-1/4"             | 1"     | 575           | 3     | 43               |
| CP1-1/4XPS      | S39494         | CB1-1/4XPS              | S39507         | 1     | 1-1/2"             | 1-1/4" | 115/230       | 1     | 43               |
| CP1-1/4XPS      | S39495         | CB1-1/4XPS              | S39508         |       | 1-1/2"             | 1-1/4" | 208-230/460   | 3     | 43               |
| CP1-1/4XPS      | S39495-575T    | CB1-1/4XPS              | S39508-575T    |       | 1-1/2"             | 1-1/4" | 575           | 3     | 44               |
| CP1-1/4XPS      | S39496         | CB1-1/4XPS              | S39509         | 1-1/2 | 1-1/2"             | 1-1/4" | 115/230       | 1     | 54               |
| CP1-1/4XPS      | S39497         | CB1-1/4XPS              | S39510         |       | 1-1/2"             | 1-1/4" | 208-230/460   | 3     | 54               |
| CP1-1/4XPS      | S39497-575T    | CB1-1/4XPS              | S39510-575T    |       | 1-1/2"             | 1-1/4" | 575           | 3     | 55               |
| CP1-1/4XPS      | S39498         | CB1-1/4XPS              | S39511         | 2     | 1-1/2"             | 1-1/4" | 115/230       | 1     | 66               |
| CP1-1/4XPS      | S39499         | CB1-1/4XPS              | S39512         |       | 1-1/2"             | 1-1/4" | 208-230/460   | 3     | 66               |
| CP1-1/4XPS      | S39499-575T    | CB1-1/4XPS              | S39512-575T    |       | 1-1/2"             | 1-1/4" | 575           | 3     | 67               |
|                 |                | CB1-1/2XPS              | S39513         | 2-1/2 | 2"                 | 1-1/2" | 115/230       | 1     | 74               |
|                 |                | CB1-1/2XPS              | S39514         |       | 2"                 | 1-1/2" | 208-230/460   | 3     | 74               |
|                 |                | CB1-1/2XPS              | S39514-575T    |       | 2"                 | 1-1/2" | 575           | 3     | 75               |

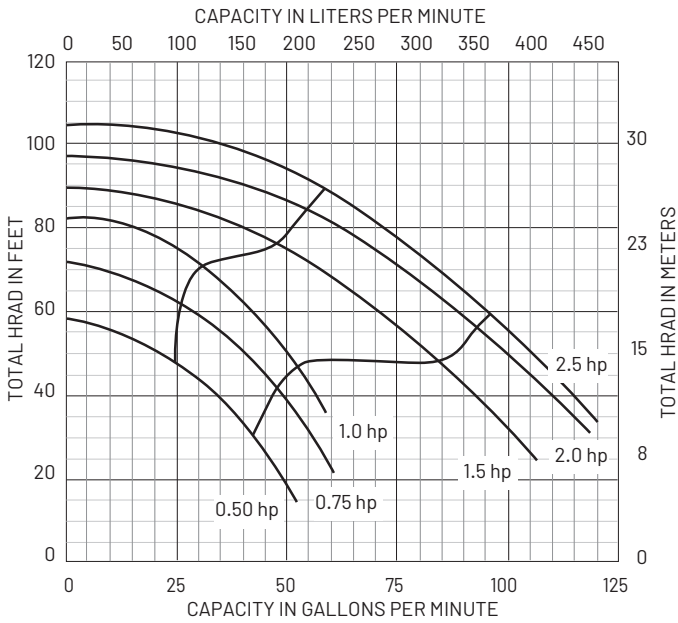
**PUMP PERFORMANCE: HIGH HEAD, SILICON BRONZE IMPELLER**



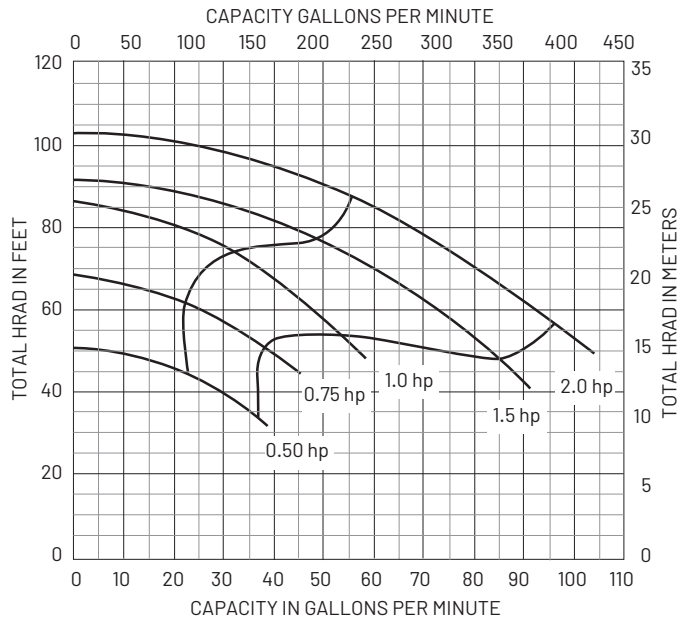
**PUMP PERFORMANCE: HIGH HEAD, NORYL® IMPELLER**



**PUMP PERFORMANCE: MEDIUM HEAD, SILICON BRONZE IMPELLER**



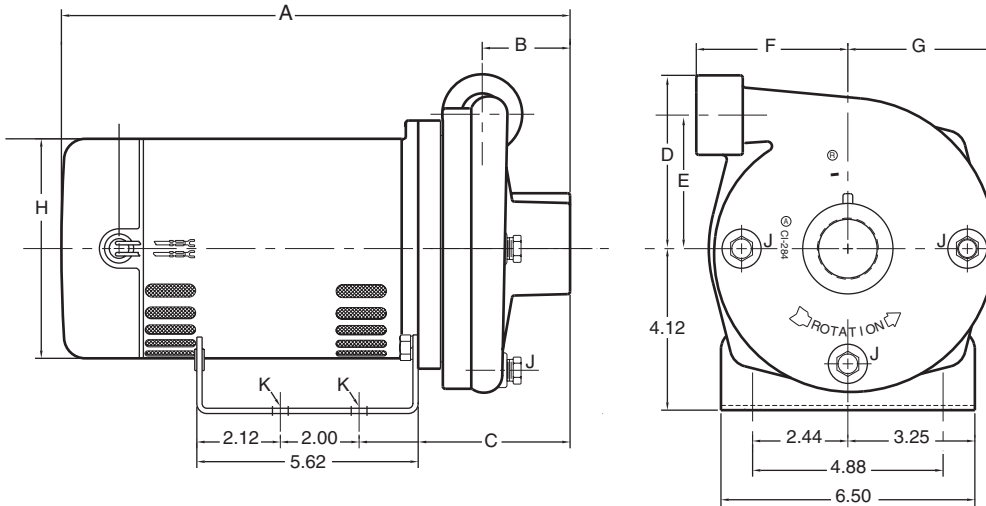
**PUMP PERFORMANCE: MEDIUM HEAD, NORYL IMPELLER**



Tested and rated in accordance with Water Systems Council Standards.

**NOTE:** Pumps installed with a Pro-Source® tank require a 100 PSI relief valve. Pumps with a conventional tank require a 75 PSI relief valve. Relief valve must be capable of relieving entire flow of pump at relief pressure.

### OUTLINE DIMENSIONS



Dimensions (in inches) are for estimating purposes only.

### DIMENSIONS (IN INCHES)

#### HIGH HEAD

| HP    | NPT SUCT. | NPT DISCH. | A (1 PHASE) | A (3 PHASE) | B       | C      | D       | E       | F     | G       | H      | NPT J | K        |
|-------|-----------|------------|-------------|-------------|---------|--------|---------|---------|-------|---------|--------|-------|----------|
| 1/2   | 1-1/4     | 1          | 11-21/32    | 13-3/8      | 2-1/16  | 5-9/16 | 4-1/2   | 3-7/16  | 3-7/8 | 3-15/16 | 5-5/8  | 1/4   | 3/8 Dia. |
| 3/4   | 1-1/4     | 1          | 11-25/32    | 13-3/8      | 2-1/16  | 5-9/16 | 4-1/2   | 3-7/16  | 3-7/8 | 3-15/16 | 5-5/8  | 1/4   | 3/8 Dia. |
| 1     | 1-1/4     | 1          | 12-25/32    | 13-7/8      | 2-1/16  | 5-9/16 | 4-1/2   | 3-7/16  | 3-7/8 | 3-15/16 | 5-5/8  | 1/4   | 3/8 Dia. |
| 1-1/2 | 1-1/4     | 1          | 13-39/64    | 14-3/8      | 2-1/16  | 5-9/16 | 4-1/2   | 3-7/16  | 3-7/8 | 3-15/16 | 5-5/8  | 1/4   | 3/8 Dia. |
| 2     | 1-1/2     | 1-1/4      | 16-3/4      | 16-15/16    | 2-13/16 | 6-5/16 | 4-27/32 | 3-13/32 | 4-5/8 | 4       | 6-7/16 | 1/4   | 3/8 Dia. |
| 2-1/2 | 2         | 1-1/2      | 17-3/4      | 17-1/4      | 2-13/16 | 6-5/16 | 4-27/32 | 3-13/32 | 4-5/8 | 4       | 6-7/16 | 1/4   | 3/8 Dia. |

#### MEDIUM HEAD

|       |       |       |          |          |        |       |         |       |       |         |        |     |          |
|-------|-------|-------|----------|----------|--------|-------|---------|-------|-------|---------|--------|-----|----------|
| 1/2   | 1-1/4 | 1     | 11-7/32  | 12-15/16 | 1-7/16 | 5-1/8 | 4-7/16  | 3-1/4 | 2-1/4 | 3-1/4   | 5-5/8  | 1/4 | 3/8 Dia. |
| 3/4   | 1-1/4 | 1     | 11-31/32 | 12-15/16 | 1-7/16 | 5-1/8 | 4-7/16  | 3-1/4 | 2-1/4 | 3-1/4   | 5-5/8  | 1/4 | 3/8 Dia. |
| 1     | 1-1/2 | 1-1/4 | 12-11/32 | 13-7/16  | 1-7/16 | 5-1/8 | 4-7/16  | 3-1/4 | 2-1/4 | 3-1/4   | 5-5/8  | 1/4 | 3/8 Dia. |
| 1-1/2 | 1-1/2 | 1-1/4 | 13-25/32 | 14-9/16  | 2      | 5-3/4 | 4-13/16 | 3-1/2 | 4-1/4 | 3-15/16 | 5-5/8  | 1/4 | 3/8 Dia. |
| 2     | 1-1/2 | 1-1/4 | 16-3/16  | 16-3/8   | 2      | 5-3/4 | 4-13/16 | 3-1/2 | 4-1/4 | 3-15/16 | 6-7/16 | 1/4 | 3/8 Dia. |
| 2-1/2 | 2     | 1-1/2 | 17-3/16  | 16-11/16 | 2      | 5-3/4 | 4-13/16 | 3-1/2 | 4-1/4 | 3-15/16 | 6-7/16 | 1/4 | 3/8 Dia. |