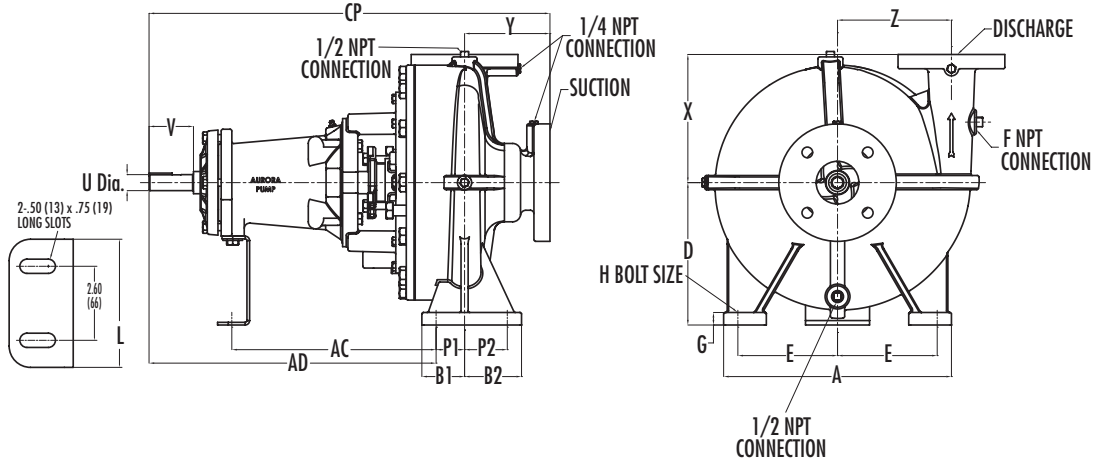


AURORA MODEL 384 PUMPS



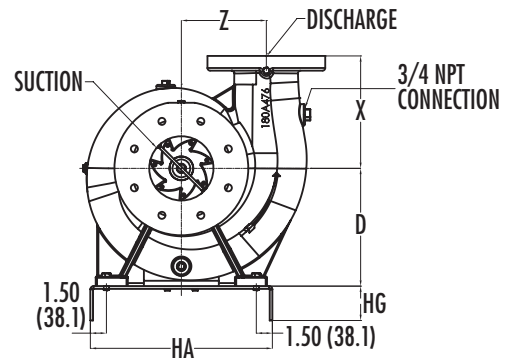
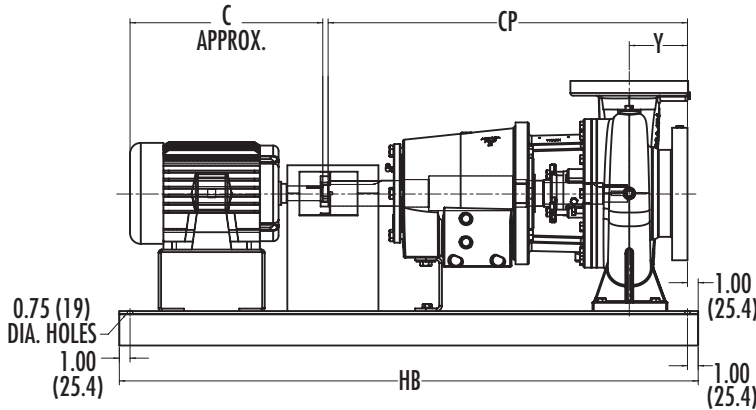
Pump Size	Disch.	Suct.	D	X	Y	Z	P1	P2	B1	B2	G	H	E	A	AC	AD	CP	U Dia.	V	F	L	Key
2.5-384-7	2.5	3	7.00 (178)	6.00 (152)	4.25 (108)	4.69 (119)	1.63 (41)	1.38 (35)	2.63 (67)	2.38 (60)	0.63 (16)	0.44 (11)	3.25 (83)	8.00 (203)	14.69 (373)	20.50 (521)	26.38 (670)	1.13 (29)	3.13 (79)	0.75 (19)	4.50 (114)	.25 (6) SQ x 1.75 (44) LNG
4-384-7	4	5	8.00 (203)	7.50 (191)	4.94 (125)	5.75 (146)	2.25 (57)	2.13 (54)	3.06 (78)	2.94 (75)	0.75 (19)	0.44 (11)	4.57 (116)	11.00 (279)	14.15 (359)	19.97 (507)	27.16 (690)	1.13 (29)	3.13 (79)	0.75 (19)	4.50 (114)	.25 (6) SQ x 1.75 (44) LNG
4-384-9.5	4	5	10.00 (254)	8.00 (203)	5.00 (127)	7.01 (178)	1.88 (48)	2.50 (64)	2.69 (68)	3.31 (84)	0.75 (19)	0.44 (11)	4.56 (116)	11.00 (279)	17.26 (438)	26.39 (670)	33.27 (845)	2.38 (60)	6.13 (156)	0.75 (19)	4.50 (114)	.63 (16) SQ x 4.00 (102) LNG
5-384-9.5	5	6	11.00 (279)	10.00 (254)	6.00 (152)	7.50 (191)	2.19 (56)	2.81 (71)	3.19 (81)	3.81 (97)	0.88 (22)	0.50 (13)	7.00 (178)	16.00 (406)	17.12 (435)	26.25 (667)	34.44 (875)	2.38 (60)	6.13 (156)	0.75 (19)	7.00 (178)	.63 (16) SQ x 4.00 (102) LNG
6-384-9.5	6	8	11.00 (279)	10.50 (267)	7.00 (178)	8.25 (210)	3.13 (80)	1.87 (47)	4.13 (105)	2.88 (73)	0.88 (22)	0.50 (13)	7.00 (178)	16.00 (406)	16.12 (409)	25.25 (641)	35.38 (899)	2.38 (60)	6.13 (156)	0.75 (19)	7.00 (178)	.63 (16) SQ x 4.00 (102) LNG
2-384-11	2	3	10.00 (254)	8.00 (203)	5.50 (140)	6.50 (165)	2.23 (57)	2.77 (70)	3.23 (82)	3.77 (96)	0.88 (22)	0.50 (13)	7.00 (178)	16.00 (406)	13.93 (354)	19.75 (502)	27.47 (698)	1.13 (29)	3.13 (79)	0.75 (19)	4.50 (114)	.25 (6) SQ x 1.75 (44) LNG
3-384-11	3	4	10.00 (254)	9.50 (241)	5.50 (140)	7.38 (187)	2.44 (62)	2.56 (65)	3.44 (87)	3.56 (90)	0.88 (22)	0.44 (11)	7.00 (178)	16.00 (406)	16.43 (417)	25.56 (649)	33.50 (851)	2.38 (60)	6.13 (156)	0.75 (19)	7.00 (178)	.63 (16) SQ x 4.00 (102) LNG
2.5-384-13.5	2.5	3	10.00 (254)	9.00 (229)	6.00 (152)	8.00 (203)	2.00 (51)	3.00 (76)	3.00 (76)	4.00 (102)	0.88 (22)	0.50 (13)	7.00 (178)	16.00 (406)	14.35 (364)	20.16 (512)	28.16 (715)	1.13 (29)	3.13 (79)	0.75 (19)	4.50 (114)	.25 (6) SQ x 1.75 (44) LNG
3-384-13.5	3	4	10.00 (254)	9.50 (241)	5.62 (143)	8.00 (203)	2.13 (54)	2.88 (73)	3.13 (79)	3.88 (98)	0.88 (22)	0.50 (13)	7.00 (178)	16.00 (406)	16.91 (429)	26.03 (661)	33.78 (858)	2.38 (60)	6.13 (156)	0.75 (19)	7.00 (178)	.63 (16) SQ x 4.00 (102) LNG
6-384-13.5	6	8	12.63 (321)	13.38 (340)	6.50 (165)	9.31 (237)	4.50 (114)	4.50 (114)	5.50 (140)	5.50 (140)	1.00 (25)	0.63 (16)	10.50 (267)	23.00 (584)	14.59 (371)	23.72 (603)	34.72 (882)	2.38 (60)	6.13 (156)	1.25 (32)	7.00 (178)	.63 (16) SQ x 4.00 (102) LNG
8-384-13.5	8	10	15.00 (381)	14.00 (356)	8.00 (203)	11.00 (279)	4.50 (114)	4.50 (114)	5.50 (140)	5.50 (140)	1.00 (25)	0.63 (16)	10.50 (267)	23.00 (584)	14.43 (366)	23.56 (598)	36.06 (916)	2.38 (60)	6.13 (156)	1.25 (32)	7.00 (178)	.63 (16) SQ x 4.00 (102) LNG

NOTES:

1. Dimensions are approximate.
2. All dimensions are in inches (mm) and may vary $\pm 1/4$ (6).
3. Not for construction purposes unless certified.
4. For 3-384-11 and 3-384-13.5 pump sizes ANSI 125# suction and 250# discharge flanges are standard, 250# suction and discharge or 125# suction and discharge are available as options. For all other pump sizes 125# ANSI suction and discharge flanges are standard. 250# suction and discharge or 125# suction and 250# discharge available as options.

AURORA MODEL 384 PUMPS

ON STANDARD STEEL BASE



AP Fire Pump End Suction	Disch.	Suct.	Motor Frame Size	CP	Base Size	HA	HB	HG	C	D	X	Y	Z							
2.5-384-7 PF 3	2.5	3	184T	26.38 (670)	15x44	15 (381)	44 (1118)	3.38 (86)	15 (381)	7 (178)	6 (152)	4.25 (108)	4.69 (119)							
			213T		18x48	18 (457)	48 (1219)	4 (102)	18 (457)											
			215T		18x48	18 (457)	48 (1219)	4 (102)	19 (483)											
			254T		18x54	18 (457)	54 (1372)	4 (102)	24 (610)											
			256T		18x54	18 (457)	54 (1372)	4 (102)	25 (635)											
			284T		18x54	18 (457)	54 (1372)	4 (102)	27 (686)											
			284TS		18x54	18 (457)	54 (1372)	4 (102)	25 (635)											
4-384-7 PF 3	4	5	215T	27.16 (690)	18x48	18 (457)	48 (1219)	4 (102)	19 (483)	8 (203)	7.5 (190)	4.94 (125)	5.75 (146)							
			254T		18x54	18 (457)	54 (1372)	4 (102)	24 (610)											
			256T		18x54	18 (457)	54 (1372)	4 (102)	25 (635)											
			284T		18x54	18 (457)	54 (1372)	4 (102)	27 (686)											
			284TS		18x54	18 (457)	54 (1372)	4 (102)	25 (635)											
			286T		18x54	18 (457)	54 (1372)	4 (102)	28 (711)											
			286TS		18x54	18 (457)	54 (1372)	4 (102)	26 (660)											
			324T		18x60	18 (457)	60 (1524)	4 (102)	29 (737)											
			324TS		18x60	18 (457)	60 (1524)	4 (102)	28 (711)											
			326T		18x60	18 (457)	60 (1524)	4 (102)	31 (787)											
			326TS		18x60	18 (457)	60 (1524)	4 (102)	29 (737)											
			4-384-9.5 PF 21		4	5	256T	33.27 (845)	18x60					18 (457)	60 (1524)	4 (102)	25 (635)	10 (254)	8 (203)	5 (127)
284T	18x60	18 (457)		60 (1524)			4 (102)		27 (686)											
284TS	18x60	18 (457)		60 (1524)			4 (102)		25 (635)											
286T	18x60	18 (457)		60 (1524)			4 (102)		28 (711)											
286TS	18x60	18 (457)		60 (1524)			4 (102)		26 (660)											
324T	22x64	22 (559)		64 (1626)			4 (102)		29 (737)											
324TS	22x64	22 (559)		64 (1626)			4 (102)		28 (711)											
326T	22x64	22 (559)		64 (1626)			4 (102)		31 (787)											
326TS	22x64	22 (559)		64 (1626)			4 (102)		29 (737)											
364T	22x64	22 (559)		64 (1626)			4 (102)		33 (838)											
364TS	22x64	22 (559)		64 (1626)			4 (102)		31 (787)											
365T	22x64	22 (559)		64 (1626)			4 (102)		34 (864)											
365TS	22x64	22 (559)		64 (1626)			4 (102)		32 (813)											
404T	22x72	22 (559)		72 (1829)			4 (102)		38 (965)											
404TS	22x72	22 (559)		72 (1829)			4 (102)		34 (864)											
405T*	22x72	22 (559)		72 (1829)			4 (102)		39 (991)											
405T	22x72	22 (559)		72 (1829)			4 (102)		39 (991)											
405TS*	22x72	22 (559)		72 (1829)			4 (102)		36 (914)											
405TS	22x72	22 (559)		72 (1829)			4 (102)		36 (914)											
444T	26x72	26 (660)		72 (1829)			4.5 (114)		45 (1143)											
444TS	26x72	26 (660)		72 (1829)			4.5 (114)		41 (1041)											
													11 (279)							

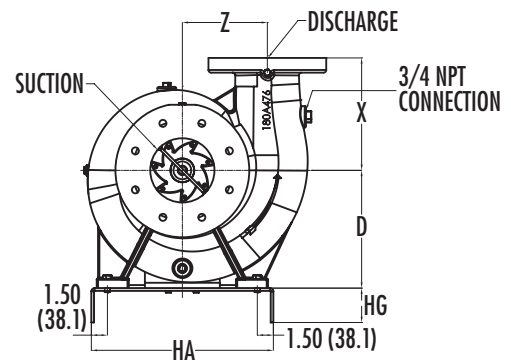
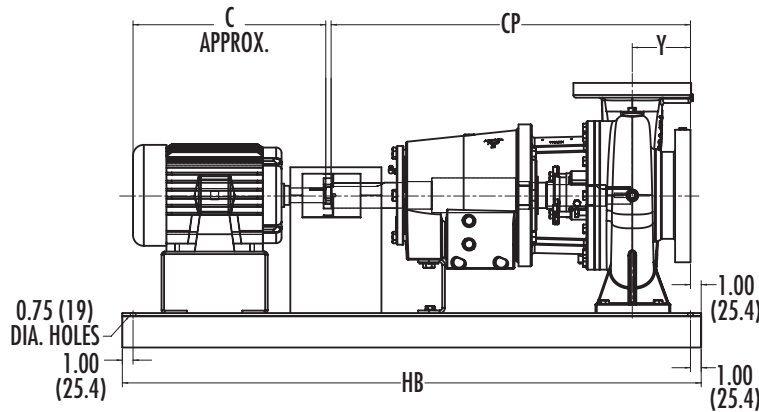
NOTES:

- Dimensions are approximate.
- All dimensions are in inches (mm) and may vary ± 1/4 (6).
- Not for construction purposes unless certified.
- For 3-384-11 and 3-384-13.5 pump sizes ANSI 125# suction and 250# discharge flanges are standard, 250# suction and discharge or 125# suction and discharge are available as options. For all other pump sizes 125# ANSI suction and discharge flanges are standard. 250# suction and discharge or 125# suction and 250# discharge available as options.

* 3000 RPM 150HP Frame

AURORA MODEL 384 PUMPS

ON STANDARD STEEL BASE



AP Fire Pump End Suction	Disch.	Suct.	Motor Frame Size	CP	Base Size	HA	HB	HG	C	D	X	Y	Z
5-384-9.5 PF 21	5	6	284T	34.44 (875)	22x64	22 (559)	64 (1626)	4 (102)	27 (686)	11 (279)	10 (254)	6 (152)	7.5 (190)
			284TS		22x64	22 (559)	64 (1626)	4 (102)	25 (635)				
			286T		22x64	22 (559)	64 (1626)	4 (102)	28 (711)				
			286TS		22x64	22 (559)	64 (1626)	4 (102)	26 (660)				
			324T		22x64	22 (559)	64 (1626)	4 (102)	29 (737)				
			324TS		22x64	22 (559)	64 (1626)	4 (102)	28 (711)				
			326T		22x64	22 (559)	64 (1626)	4 (102)	31 (787)				
			326TS		22x64	22 (559)	64 (1626)	4 (102)	29 (737)				
			364T		22x72	22 (559)	72 (1829)	4 (102)	33 (838)				
			364TS		22x64	22 (559)	64 (1626)	4 (102)	31 (787)				
			365T		22x72	22 (559)	72 (1829)	4 (102)	34 (864)				
			365TS		22x64	22 (559)	64 (1626)	4 (102)	32 (813)				
			404T		22x72	22 (559)	72 (1829)	4 (102)	38 (965)				
			404TS		22x72	22 (559)	72 (1829)	4 (102)	34 (864)				
			405T*		22x72	22 (559)	72 (1829)	4 (102)	39 (991)				
			405T		22x72	22 (559)	72 (1829)	4 (102)	39 (991)				
			405TS*		22x72	22 (559)	72 (1829)	4 (102)	36 (914)				
			405TS		22x72	22 (559)	72 (1829)	4 (102)	36 (914)				
6-384-9.5 PF 21	6	8	364T	35.38 (899)	22x72	22 (559)	72 (1829)	4 (102)	33 (838)	11 (279)	10.5 (267)	7 (178)	8.25 (210)
			364TS		22x72	22 (559)	72 (1829)	4 (102)	31 (787)				
			365T		22x72	22 (559)	72 (1829)	4 (102)	34 (864)				
			365TS		22x72	22 (559)	72 (1829)	4 (102)	32 (813)				
			404T		22x72	22 (559)	72 (1829)	4 (102)	38 (965)				
			404TS		22x72	22 (559)	72 (1829)	4 (102)	34 (864)				
			405T		22x72	22 (559)	72 (1829)	4 (102)	39 (991)				
			405TS		22x72	22 (559)	72 (1829)	4 (102)	36 (914)				
			444T		26x84	26 (660)	84 (2134)	4.5 (114)	45 (1143)				
			444TS		26x84	26 (660)	84 (2134)	4.5 (114)	41 (1041)				
			445T		26x84	26 (660)	84 (2134)	4.5 (114)	46 (1168)				
			445TS		26x84	26 (660)	84 (2134)	4.5 (114)	42 (1067)				
			447T		26x84	26 (660)	84 (2134)	4.5 (114)	52 (1321)				
			447TS		26x84	26 (660)	84 (2134)	4.5 (114)	49 (1245)				

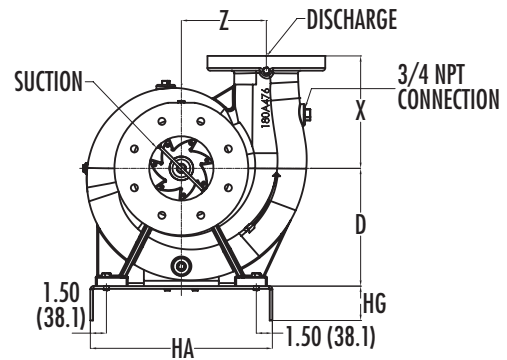
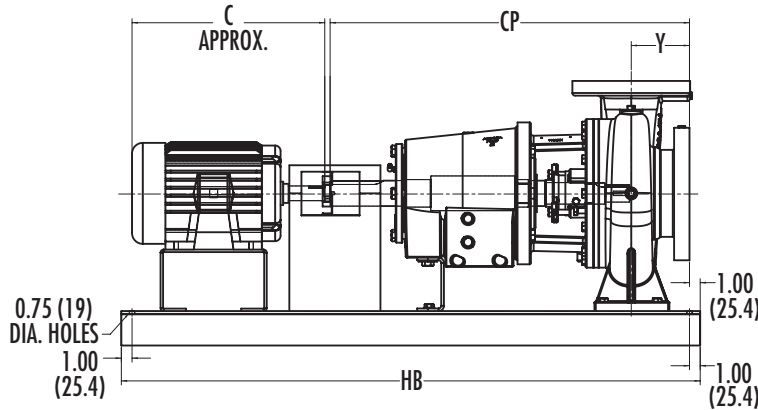
NOTES:

1. Dimensions are approximate.
2. All dimensions are in inches (mm) and may vary $\pm 1/4$ (6).
3. Not for construction purposes unless certified.
4. For 3-384-11 and 3-384-13.5 pump sizes ANSI 125# suction and 250# discharge flanges are standard, 250# suction and discharge or 125# suction and discharge are available as options. For all other pump sizes 125# ANSI suction and discharge flanges are standard. 250# suction and discharge or 125# suction and 250# discharge available as options.

* 3000 RPM 150HP Frame

AURORA MODEL 384 PUMPS

ON STANDARD STEEL BASE



AP Fire Pump End Suction	Disch.	Suct.	Motor Frame Size	CP	Base Size	HA	HB	HG	C	D	X	Y	Z
2-384-11 PF 3	2	3	215T	27.47 (698)	18x54	18 (457)	54 (1372)	4 (102)	19 (483)	10 (254)	8 (203)	5.5 (140)	6.5 (165)
			254T		18x54	18 (457)	54 (1372)	4 (102)	24 (610)				
			256T		18x54	18 (457)	54 (1372)	4 (102)	25 (635)				
			284T		18x54	18 (457)	54 (1372)	4 (102)	27 (686)				
			284TS		18x54	18 (457)	54 (1372)	4 (102)	25 (635)				
			286T		18x54	18 (457)	54 (1372)	4 (102)	28 (711)				
			286TS		18x54	18 (457)	54 (1372)	4 (102)	26 (660)				
			324T		18x60	18 (457)	60 (1524)	4 (102)	29 (737)				
			324TS		18x60	18 (457)	60 (1524)	4 (102)	28 (711)				
			326T		18x60	18 (457)	60 (1524)	4 (102)	31 (787)				
			326TS		18x60	18 (457)	60 (1524)	4 (102)	29 (737)				
			364T		18x60	18 (457)	60 (1524)	4 (102)	33 (838)				
			364TS		18x60	18 (457)	60 (1524)	4 (102)	31 (787)				
3-384-11 PF 21	3	4	213T	33.5 (851)	18x54	18 (457)	54 (1372)	4 (102)	18 (457)	10 (254)	9.5 (241)	5.5 (140)	7.38 (187)
			215T		18x54	18 (457)	54 (1372)	4 (102)	19 (483)				
			254T		18x60	18 (457)	60 (1524)	4 (102)	24 (610)				
			256T		18x60	18 (457)	60 (1524)	4 (102)	25 (635)				
			284T		18x60	18 (457)	60 (1524)	4 (102)	27 (686)				
			284TS		18x60	18 (457)	60 (1524)	4 (102)	25 (635)				
			286T		18x60	18 (457)	60 (1524)	4 (102)	28 (711)				
			286TS		18x60	18 (457)	60 (1524)	4 (102)	26 (660)				
			324T		22x64	22 (559)	64 (1626)	4 (102)	29 (737)				
			324TS		22x64	22 (559)	64 (1626)	4 (102)	28 (711)				
			326T		22x64	22 (559)	64 (1626)	4 (102)	31 (787)				
			326TS		22x64	22 (559)	64 (1626)	4 (102)	29 (737)				
			364T		22x64	22 (559)	64 (1626)	4 (102)	33 (838)				
			364TS		22x64	22 (559)	64 (1626)	4 (102)	31 (787)				
			365T		22x64	22 (559)	64 (1626)	4 (102)	34 (864)				
			365TS		22x64	22 (559)	64 (1626)	4 (102)	32 (813)				
			404T		22x72	22 (559)	72 (1829)	4 (102)	38 (965)				
			404TS		22x72	22 (559)	72 (1829)	4 (102)	34 (864)				
			405T*		22x72	22 (559)	72 (1829)	4 (102)	39 (991)				
			405T		22x72	22 (559)	72 (1829)	4 (102)	39 (991)				
			405TS*		22x72	22 (559)	72 (1829)	4 (102)	36 (914)				
			405TS		22x72	22 (559)	72 (1829)	4 (102)	36 (914)				
			444T		26x72	26 (660)	72 (1829)	4.5 (114)	45 (1143)				
			444TS		26x72	26 (660)	72 (1829)	4.5 (114)	41 (1041)				

NOTES:

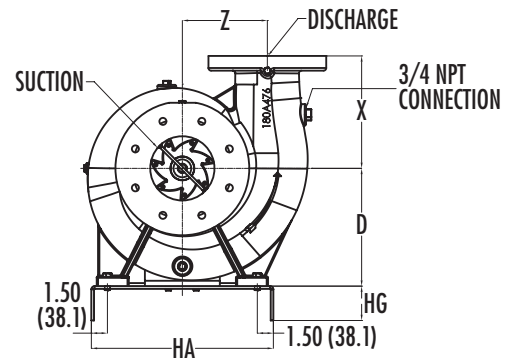
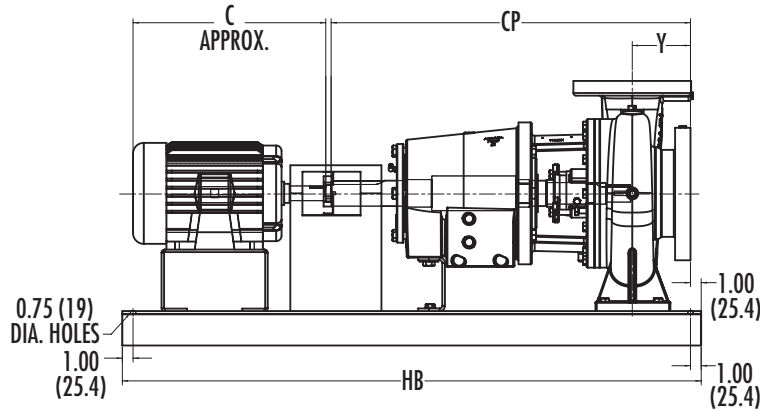
1. Dimensions are approximate.
2. All dimensions are in inches (mm) and may vary ± 1/4 (6).
3. Not for construction purposes unless certified.
4. For 3-384-11 and 3-384-13.5 pump sizes ANSI 125# suction and 250# discharge flanges are standard, 250# suction and discharge or 125# suction and discharge are available as options. For all other pump sizes 125# ANSI suction and discharge flanges are standard. 250# suction and discharge or 125# suction and 250# discharge available as options.

* 3000 RPM 150HP Frame

AURORA MODEL 384 PUMPS

ON STANDARD STEEL BASE

Supersedes Section 911.5 Page 205
Dated September 2012

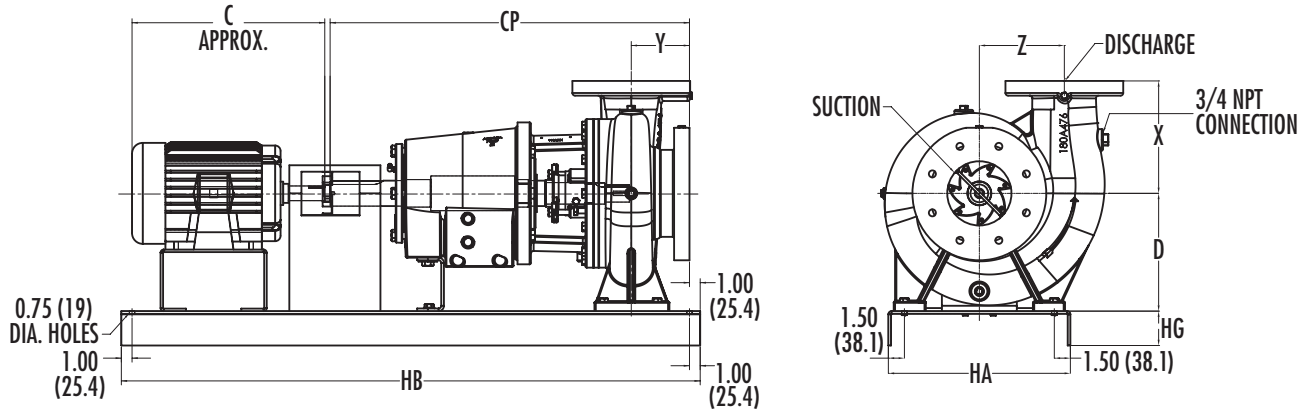


AP Fire Pump End Suction	Disch.	Suct.	Motor Frame Size	CP	Base Size	HA	HB	HG	C	D	X	Y	Z
2.5-384-13.5 PF 3	2.5	3	184T	28.16 (715)	18x54	18 (457)	54 (1372)	4 (102)	15 (381)	10 (254)	9 (229)	6 (152)	8 (203)
			213T		18x54	18 (457)	54 (1372)	4 (102)	18 (457)				
			215T		18x54	18 (457)	54 (1372)	4 (102)	19 (483)				
			254T		18x54	18 (457)	54 (1372)	4 (102)	24 (610)				
			256T		18x54	18 (457)	54 (1372)	4 (102)	25 (635)				
			284T		18x54	18 (457)	54 (1372)	4 (102)	27 (686)				
			284TS		18x54	18 (457)	54 (1372)	4 (102)	25 (635)				
3-384-13.5 PF 21	3	4	215T	33.78 (858)	18x54	18 (457)	54 (1372)	4 (102)	19 (483)	10 (254)	9.5 (241)	5.62 (143)	8 (203)
			254T		18x60	18 (457)	60 (1524)	4 (102)	24 (610)				
			256T		18x60	18 (457)	60 (1524)	4 (102)	25 (635)				
			284T		18x60	18 (457)	60 (1524)	4 (102)	27 (686)				
			284TS		18x60	18 (457)	60 (1524)	4 (102)	25 (635)				
			286T		18x60	18 (457)	60 (1524)	4 (102)	28 (711)				
			286TS		18x60	18 (457)	60 (1524)	4 (102)	26 (660)				
			324T		22x64	22 (559)	64 (1626)	4 (102)	29 (737)				
			324TS		22x64	22 (559)	64 (1626)	4 (102)	28 (711)				
			326T		22x64	22 (559)	64 (1626)	4 (102)	31 (787)				
			326TS		22x64	22 (559)	64 (1626)	4 (102)	29 (737)				
			364T		22x64	22 (559)	64 (1626)	4 (102)	33 (838)				
			364TS		22x64	22 (559)	64 (1626)	4 (102)	31 (787)				
			365T		22x64	22 (559)	64 (1626)	4 (102)	34 (864)				
			365TS		22x64	22 (559)	64 (1626)	4 (102)	32 (813)				
			404T		22x72	22 (559)	72 (1829)	4 (102)	38 (965)				
			404TS		22x72	22 (559)	72 (1829)	4 (102)	34 (864)				
			405T*		22x72	22 (559)	72 (1829)	4 (102)	39 (991)				
			405T		22x72	22 (559)	72 (1829)	4 (102)	39 (991)				
			405TS*		22x72	22 (559)	72 (1829)	4 (102)	36 (914)				
			405TS		22x72	22 (559)	72 (1829)	4 (102)	36 (914)				
			444T		26x72	26 (660)	72 (1829)	4.5 (114)	45 (1143)				
			444TS		26x72	26 (660)	72 (1829)	4.5 (114)	41 (1041)				
445T	26x84	26 (660)	84 (2134)	4.5 (114)	46 (1168)								
445TS	26x72	26 (660)	72 (1829)	4.5 (114)	42 (1067)								
										11 (279)			

NOTES:

1. Dimensions are approximate.
2. All dimensions are in inches (mm) and may vary $\pm 1/4$ (6).
3. Not for construction purposes unless certified.
4. For 3-384-11 and 3-384-13.5 pump sizes ANSI 125# suction and 250# discharge flanges are standard, 250# suction and discharge or 125# suction and discharge are available as options. For all other pump sizes 125# ANSI suction and discharge flanges are standard. 250# suction and discharge or 125# suction and 250# discharge available as options.

* 3000 RPM 150HP Frame



AP Fire Pump End Suction	Disch.	Suct.	Motor Frame Size	CP	Base Size	HA	HB	HG	C	D	X	Y	Z
6-384-13.5 PF 21	6	8	286T	34.72 (882)	26x72	26 (660)	72 (1829)	4.5 (114)	28 (711)	13 (330)	13.38 (340)	6.5 (165)	9.3125 (237)
			286TS		26x72	26 (660)	72 (1829)	4.5 (114)	26 (660)				
			324T		26x72	26 (660)	72 (1829)	4.5 (114)	29 (737)				
			324TS		26x72	26 (660)	72 (1829)	4.5 (114)	28 (711)				
			326T		26x72	26 (660)	72 (1829)	4.5 (114)	31 (787)				
			326TS		26x72	26 (660)	72 (1829)	4.5 (114)	29 (737)				
			364T		26x72	26 (660)	72 (1829)	4.5 (114)	33 (838)				
			364TS		26x72	26 (660)	72 (1829)	4.5 (114)	31 (787)				
			365T		26x72	26 (660)	72 (1829)	4.5 (114)	34 (864)				
			365TS		26x72	26 (660)	72 (1829)	4.5 (114)	32 (813)				
			404T		26x72	26 (660)	72 (1829)	4.5 (114)	38 (965)				
			404TS		26x72	26 (660)	72 (1829)	4.5 (114)	34 (864)				
			405T		26x72	26 (660)	72 (1829)	4.5 (114)	39 (991)				
			405TS		26x72	26 (660)	72 (1829)	4.5 (114)	36 (914)				
			444T		26x84	26 (660)	84 (2134)	4.5 (114)	45 (1143)				
444TS	26x72	26 (660)	72 (1829)	4.5 (114)	41 (1041)								
8-384-13.5 PF 21	8	10	364T	36.06 (916)	26x72	26 (660)	72 (1829)	4.5 (114)	33 (838)	15 (381)	14 (356)	8 (203)	11 (279)
			364TS		26x72	26 (660)	72 (1829)	4.5 (114)	31 (787)				
			365T		26x72	26 (660)	72 (1829)	4.5 (114)	34 (864)				
			365TS		26x72	26 (660)	72 (1829)	4.5 (114)	32 (813)				
			404T		26x72	26 (660)	72 (1829)	4.5 (114)	38 (965)				
			404TS		26x72	26 (660)	72 (1829)	4.5 (114)	34 (864)				
			405T		26x72	26 (660)	72 (1829)	4.5 (114)	39 (991)				
			405TS		26x72	26 (660)	72 (1829)	4.5 (114)	36 (914)				
			444T		26x84	26 (660)	84 (2134)	4.5 (114)	45 (1143)				
			444TS		26x84	26 (660)	84 (2134)	4.5 (114)	41 (1041)				

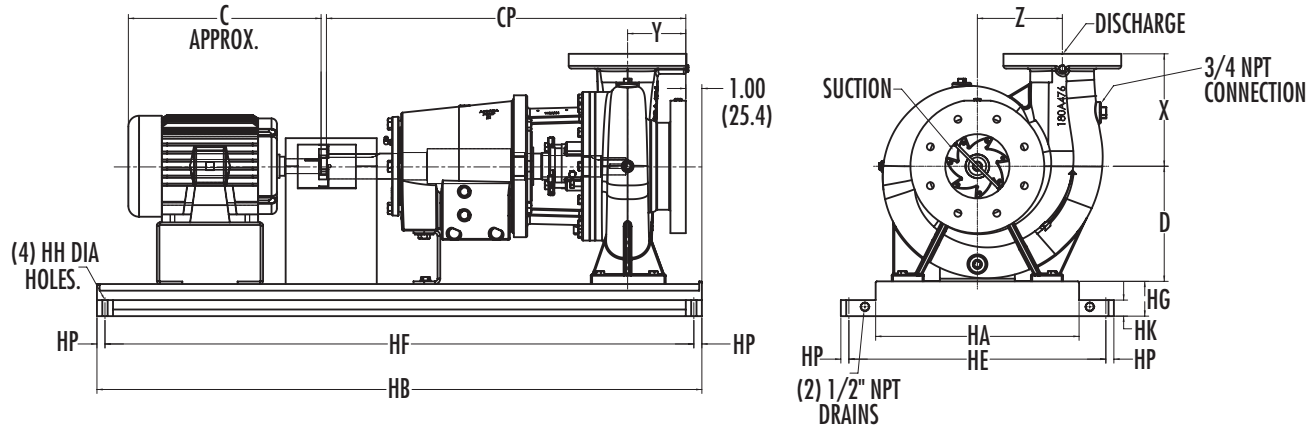
NOTES:

1. Dimensions are approximate.
2. All dimensions are in inches (mm) and may vary $\pm 1/4$ (6).
3. Not for construction purposes unless certified.
4. For 3-384-11 and 3-384-13.5 pump sizes ANSI 125# suction and 250# discharge flanges are standard, 250# suction and discharge or 125# suction and discharge are available as options. For all other pump sizes 125# ANSI suction and discharge flanges are standard. 250# suction and discharge or 125# suction and 250# discharge available as options.

* 3000 RPM 150HP Frame

AURORA MODEL 384 PUMPS

ON STEEL DRIP RIM BASE



AP Fire Pump End Suction	Disch.	Suct.	Motor Frame Size	CP	Base Size	HA	HB	HE	HF	HG	HH	HK	HP	C	D	X	Y	Z
2.5-384-7 PF 3	2.5	3	26.38 (670)	184T	14x48	14 (356)	48.5 (1232)	19 (483)	47 (1194)	3 (76)	1 (25)	1.5 (38)	0.75 (19)	15 (381)	7 (178)	6 (152)	4.25 (108)	4.69 (119)
				213T	14x48	14 (356)	48.5 (1232)	19 (483)	47 (1194)	3 (76)	1 (25)	1.5 (38)		18 (457)				
				215T	14x48	14 (356)	48.5 (1232)	19 (483)	47 (1194)	3 (76)	1 (25)	1.5 (38)		19 (483)				
				254T	14x56	14 (356)	56.5 (1435)	19 (483)	55 (1397)	3 (76)	1 (25)	1.5 (38)		24 (610)				
				256T	14x56	14 (356)	56.5 (1435)	19 (483)	55 (1397)	3 (76)	1 (25)	1.5 (38)		25 (635)				
				284T	14x56	14 (356)	56.5 (1435)	19 (483)	55 (1397)	3 (76)	1 (25)	1.5 (38)		27 (686)				
				284TS	14x56	14 (356)	56.5 (1435)	19 (483)	55 (1397)	3 (76)	1 (25)	1.5 (38)		25 (635)				
4-384-7 PF 3	4	5	27.16 (690)	215T	14x48	14 (356)	48.5 (1232)	19 (483)	47 (1194)	3 (76)	1 (25)	1.5 (38)	0.75 (19)	19 (483)	8 (203)	7.5 (190)	4.94 (125)	5.75 (146)
				254T	14x56	14 (356)	56.5 (1435)	19 (483)	55 (1397)	3 (76)	1 (25)	1.5 (38)		24 (610)				
				256T	14x56	14 (356)	56.5 (1435)	19 (483)	55 (1397)	3 (76)	1 (25)	1.5 (38)	25 (635)					
				284T	18x54	18 (457)	54.5 (1384)	25.13 (638)	52.88 (1343)	4 (102)	1.13 (29)	2 (51)	27 (686)					
				284TS	18x54	18 (457)	54.5 (1384)	25.13 (638)	52.88 (1343)	4 (102)	1.13 (29)	2 (51)	25 (635)					
				286T	18x54	18 (457)	54.5 (1384)	25.13 (638)	52.88 (1343)	4 (102)	1.13 (29)	2 (51)	28 (711)					
				286TS	18x54	18 (457)	54.5 (1384)	25.13 (638)	52.88 (1343)	4 (102)	1.13 (29)	2 (51)	26 (660)					
				324T	18x64	18 (457)	64.5 (1638)	25.13 (638)	62.88 (1597)	4 (102)	1.13 (29)	2 (51)	29 (737)					
				324TS	18x64	18 (457)	64.5 (1638)	25.13 (638)	62.88 (1597)	4 (102)	1.13 (29)	2 (51)	28 (711)					
				326T	18x64	18 (457)	64.5 (1638)	25.13 (638)	62.88 (1597)	4 (102)	1.13 (29)	2 (51)	31 (787)					
326TS	18x64	18 (457)	64.5 (1638)	25.13 (638)	62.88 (1597)	4 (102)	1.13 (29)	2 (51)	29 (737)									
4-384-9.5 PF 21	4	5	33.27 (845)	256T	18x64	18 (457)	64.5 (1638)	25.13 (638)	62.88 (1597)	4 (102)	1.13 (29)	2 (51)	0.81 (21)	25 (635)	10 (254)	8 (203)	5 (127)	7.01 (178)
				284T	18x64	18 (457)	64.5 (1638)	25.13 (638)	62.88 (1597)	4 (102)	1.13 (29)	2 (51)		27 (686)				
				284TS	18x64	18 (457)	64.5 (1638)	25.13 (638)	62.88 (1597)	4 (102)	1.13 (29)	2 (51)		25 (635)				
				286T	18x64	18 (457)	64.5 (1638)	25.13 (638)	62.88 (1597)	4 (102)	1.13 (29)	2 (51)		28 (711)				
				286TS	18x64	18 (457)	64.5 (1638)	25.13 (638)	62.88 (1597)	4 (102)	1.13 (29)	2 (51)		26 (660)				
				324T	22x64	22 (559)	64.5 (1638)	29.13 (740)	62.88 (1597)	4.5 (114)	1.13 (29)	2 (51)		29 (737)				
				324TS	22x64	22 (559)	64.5 (1638)	29.13 (740)	62.88 (1597)	4.5 (114)	1.13 (29)	2 (51)		28 (711)				
				326T	22x64	22 (559)	64.5 (1638)	29.13 (740)	62.88 (1597)	4.5 (114)	1.13 (29)	2 (51)		31 (787)				
				326TS	22x64	22 (559)	64.5 (1638)	29.13 (740)	62.88 (1597)	4.5 (114)	1.13 (29)	2 (51)		29 (737)				
				364T	22x64	22 (559)	64.5 (1638)	29.13 (740)	62.88 (1597)	4.5 (114)	1.13 (29)	2 (51)		33 (838)				
				364TS	22x64	22 (559)	64.5 (1638)	29.13 (740)	62.88 (1597)	4.5 (114)	1.13 (29)	2 (51)		31 (787)				
				365T	22x64	22 (559)	64.5 (1638)	29.13 (740)	62.88 (1597)	4.5 (114)	1.13 (29)	2 (51)		34 (864)				
				365TS	22x64	22 (559)	64.5 (1638)	29.13 (740)	62.88 (1597)	4.5 (114)	1.13 (29)	2 (51)		32 (813)				
				404T	22x74	22 (559)	74.5 (1892)	29.13 (740)	72.88 (1851)	4.5 (114)	1.13 (29)	2 (51)		38 (965)				
				404TS	22x74	22 (559)	74.5 (1892)	29.13 (740)	72.88 (1851)	4.5 (114)	1.13 (29)	2 (51)		34 (864)				
				405T*	22x74	22 (559)	74.5 (1892)	29.13 (740)	72.88 (1851)	4.5 (114)	1.13 (29)	2 (51)		39 (991)				
				405T	22x74	22 (559)	74.5 (1892)	29.13 (740)	72.88 (1851)	4.5 (114)	1.13 (29)	2 (51)		39 (991)				
				405TS*	22x74	22 (559)	74.5 (1892)	29.13 (740)	72.88 (1851)	4.5 (114)	1.13 (29)	2 (51)		36 (914)				
				405TS	22x74	22 (559)	74.5 (1892)	29.13 (740)	72.88 (1851)	4.5 (114)	1.13 (29)	2 (51)		36 (914)				
				444T	26x72	26 (660)	72.5 (1842)	33.13 (842)	70.88 (1800)	4.5 (114)	1.13 (29)	2 (51)		45 (1143)				
444TS	26x72	26 (660)	72.5 (1842)	33.13 (842)	70.88 (1800)	4.5 (114)	1.13 (29)	2 (51)	41 (1041)									

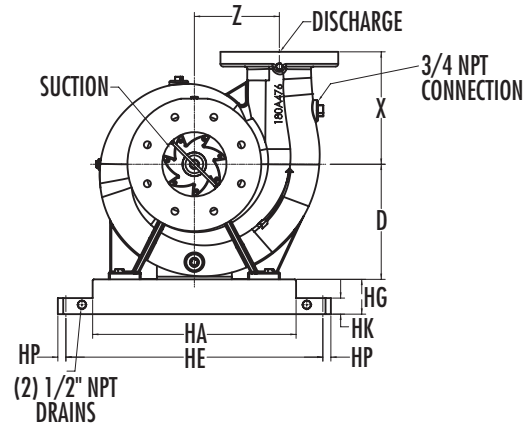
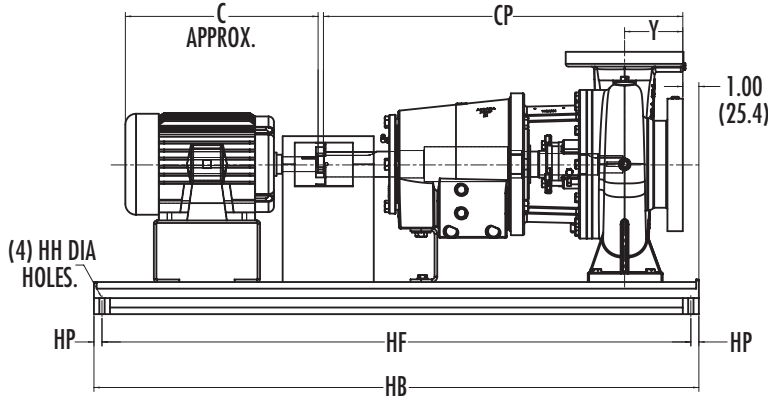
NOTES:

- Dimensions are approximate.
- All dimensions are in inches (mm) and may vary $\pm 1/4$ (6).
- Not for construction purposes unless certified.
- For 3-384-11 and 3-384-13.5 pump sizes ANSI 125# suction and 250# discharge flanges are standard, 250# suction and discharge or 125# suction and discharge are available as options. For all other pump sizes 125# ANSI suction and discharge flanges are standard. 250# suction and discharge or 125# suction and 250# discharge available as options.

* 3000 RPM 150HP Frame

AURORA MODEL 384 PUMPS

ON STEEL DRIP RIM BASE



AP Fire Pump End Suction	Disch.	Suct.	Motor Frame Size	CP	Base Size	HA	HB	HE	HF	HG	HH	HK	HP	C	D	X	Y	Z
5-384-9.5 PF 21	5	6	284T	34.44 (875)	22x64	22 (559)	64.5 (1638)	29.13 (740)	62.88 (1597)	4.5 (114)	1.13 (29)	2 (51)	0.81 (21)	27 (686)	11 (279)	10 (254)	6 (152)	7.5 (190)
			284TS		22x64	22 (559)	64.5 (1638)	29.13 (740)	62.88 (1597)	4.5 (114)	1.13 (29)	2 (51)		25 (635)				
			286T		22x64	22 (559)	64.5 (1638)	29.13 (740)	62.88 (1597)	4.5 (114)	1.13 (29)	2 (51)		28 (711)				
			286TS		22x64	22 (559)	64.5 (1638)	29.13 (740)	62.88 (1597)	4.5 (114)	1.13 (29)	2 (51)		26 (660)				
			324T		22x64	22 (559)	64.5 (1638)	29.13 (740)	62.88 (1597)	4.5 (114)	1.13 (29)	2 (51)		29 (737)				
			324TS		22x64	22 (559)	64.5 (1638)	29.13 (740)	62.88 (1597)	4.5 (114)	1.13 (29)	2 (51)		28 (711)				
			326T		22x64	22 (559)	64.5 (1638)	29.13 (740)	62.88 (1597)	4.5 (114)	1.13 (29)	2 (51)		31 (787)				
			326TS		22x64	22 (559)	64.5 (1638)	29.13 (740)	62.88 (1597)	4.5 (114)	1.13 (29)	2 (51)		29 (737)				
			364T		22x74	22 (559)	74.5 (1892)	29.13 (740)	72.88 (1851)	4.5 (114)	1.13 (29)	2 (51)		33 (838)				
			364TS		22x64	22 (559)	64.5 (1638)	29.13 (740)	62.88 (1597)	4.5 (114)	1.13 (29)	2 (51)		31 (787)				
			365T		22x74	22 (559)	74.5 (1892)	29.13 (740)	72.88 (1851)	4.5 (114)	1.13 (29)	2 (51)		34 (864)				
			365TS		22x64	22 (559)	64.5 (1638)	29.13 (740)	62.88 (1597)	4.5 (114)	1.13 (29)	2 (51)		32 (813)				
			404T		22x74	22 (559)	74.5 (1892)	29.13 (740)	72.88 (1851)	4.5 (114)	1.13 (29)	2 (51)		38 (965)				
			404TS		22x74	22 (559)	74.5 (1892)	29.13 (740)	72.88 (1851)	4.5 (114)	1.13 (29)	2 (51)		34 (864)				
			405T*		22x74	22 (559)	74.5 (1892)	29.13 (740)	72.88 (1851)	4.5 (114)	1.13 (29)	2 (51)		39 (991)				
			405T		22x74	22 (559)	74.5 (1892)	29.13 (740)	72.88 (1851)	4.5 (114)	1.13 (29)	2 (51)		39 (991)				
			405TS*		22x74	22 (559)	74.5 (1892)	29.13 (740)	72.88 (1851)	4.5 (114)	1.13 (29)	2 (51)		36 (914)				
			405TS		22x74	22 (559)	74.5 (1892)	29.13 (740)	72.88 (1851)	4.5 (114)	1.13 (29)	2 (51)		36 (914)				
			444T		26x84	26 (660)	84.5 (2146)	33.13 (842)	82.88 (2105)	4.5 (114)	1.13 (29)	2 (51)		45 (1143)				
			444TS		26x72	26 (660)	72.5 (1842)	33.13 (842)	70.88 (1800)	4.5 (114)	1.13 (29)	2 (51)		41 (1041)				
6-384-9.5 PF 21	6	8	364T	35.38 (899)	22x74	22 (559)	74.5 (1892)	29.13 (740)	72.88 (1851)	4.5 (114)	1.13 (29)	2 (51)	0.81 (21)	33 (838)	11 (279)	10.5 (267)	7 (178)	8.25 (210)
			364TS		22x74	22 (559)	74.5 (1892)	29.13 (740)	72.88 (1851)	4.5 (114)	1.13 (29)	2 (51)		31 (787)				
			365T		22x74	22 (559)	74.5 (1892)	29.13 (740)	72.88 (1851)	4.5 (114)	1.13 (29)	2 (51)		34 (864)				
			365TS		22x74	22 (559)	74.5 (1892)	29.13 (740)	72.88 (1851)	4.5 (114)	1.13 (29)	2 (51)		32 (813)				
			404T		22x74	22 (559)	74.5 (1892)	29.13 (740)	72.88 (1851)	4.5 (114)	1.13 (29)	2 (51)		38 (965)				
			404TS		22x74	22 (559)	74.5 (1892)	29.13 (740)	72.88 (1851)	4.5 (114)	1.13 (29)	2 (51)		34 (864)				
			405T		22x74	22 (559)	74.5 (1892)	29.13 (740)	72.88 (1851)	4.5 (114)	1.13 (29)	2 (51)		39 (991)				
			405TS		22x74	22 (559)	74.5 (1892)	29.13 (740)	72.88 (1851)	4.5 (114)	1.13 (29)	2 (51)		36 (914)				
			444T		26x84	26 (660)	84.5 (2146)	33.13 (842)	82.88 (2105)	4.5 (114)	1.13 (29)	2 (51)		45 (1143)				
			444TS		26x84	26 (660)	84.5 (2146)	33.13 (842)	82.88 (2105)	4.5 (114)	1.13 (29)	2 (51)		41 (1041)				
			445T		26x84	26 (660)	84.5 (2146)	33.13 (842)	82.88 (2105)	4.5 (114)	1.13 (29)	2 (51)		46 (1168)				
			445TS		26x84	26 (660)	84.5 (2146)	33.13 (842)	82.88 (2105)	4.5 (114)	1.13 (29)	2 (51)		42 (1067)				
			447T		26x84	26 (660)	84.5 (2146)	33.13 (842)	82.88 (2105)	4.5 (114)	1.13 (29)	2 (51)		52 (1321)				
			447TS		26x84	26 (660)	84.5 (2146)	33.13 (842)	82.88 (2105)	4.5 (114)	1.13 (29)	2 (51)		49 (1245)				

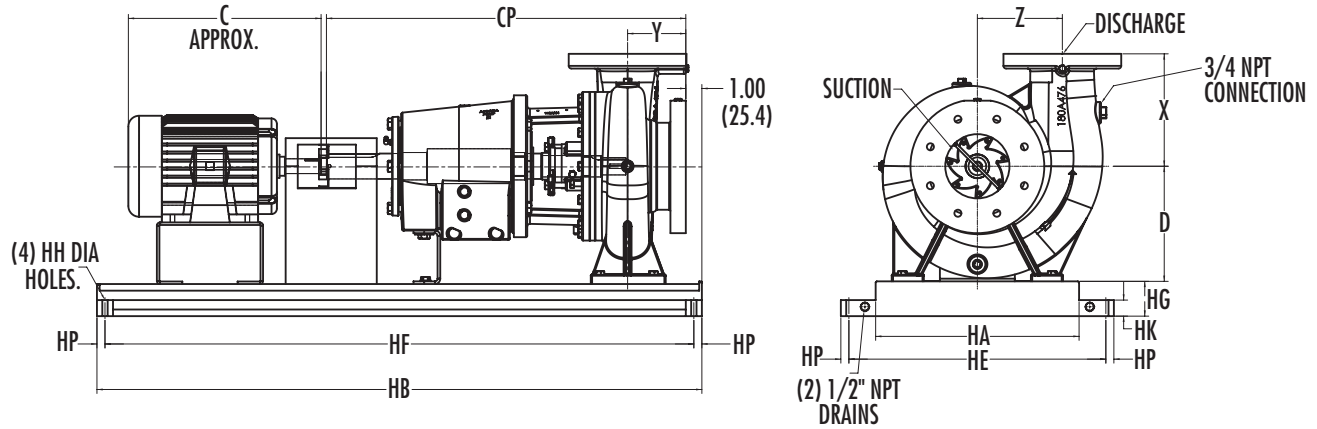
NOTES:

- Dimensions are approximate.
- All dimensions are in inches (mm) and may vary $\pm 1/4$ (6).
- Not for construction purposes unless certified.
- For 3-384-11 and 3-384-13.5 pump sizes ANSI 125# suction and 250# discharge flanges are standard, 250# suction and discharge or 125# suction and discharge are available as options. For all other pump sizes 125# ANSI suction and discharge flanges are standard. 250# suction and discharge or 125# suction and 250# discharge available as options.

* 3000 RPM 150HP Frame

AURORA MODEL 384 PUMPS

ON STEEL DRIP RIM BASE



AP Fire Pump End Suction	Disch.	Suct.	Motor Frame Size	CP	Base Size	HA	HB	HE	HF	HG	HH	HK	HP	C	D	X	Y	Z
2-384-11 PF 3	2	3	215T	27.47 (698)	18x54	18 (457)	54.5 (1384)	25.13 (638)	52.88 (1343)	4 (102)	1.13 (29)	2 (51)	0.81 (21)	19 (483)	10 (254)	8 (203)	5.5 (140)	6.5 (165)
			254T		18x54	18 (457)	54.5 (1384)	25.13 (638)	52.88 (1343)	4 (102)	1.13 (29)	2 (51)		24 (610)				
			256T		18x54	18 (457)	54.5 (1384)	25.13 (638)	52.88 (1343)	4 (102)	1.13 (29)	2 (51)		25 (635)				
			284T		18x54	18 (457)	54.5 (1384)	25.13 (638)	52.88 (1343)	4 (102)	1.13 (29)	2 (51)		27 (686)				
			284TS		18x54	18 (457)	54.5 (1384)	25.13 (638)	52.88 (1343)	4 (102)	1.13 (29)	2 (51)		25 (635)				
			286T		18x54	18 (457)	54.5 (1384)	25.13 (638)	52.88 (1343)	4 (102)	1.13 (29)	2 (51)		28 (711)				
			286TS		18x54	18 (457)	54.5 (1384)	25.13 (638)	52.88 (1343)	4 (102)	1.13 (29)	2 (51)		26 (660)				
			324T		18x64	18 (457)	64.5 (1638)	25.13 (638)	62.88 (1597)	4 (102)	1.13 (29)	2 (51)		29 (737)				
			324TS		18x64	18 (457)	64.5 (1638)	25.13 (638)	62.88 (1597)	4 (102)	1.13 (29)	2 (51)		28 (711)				
			326T		18x64	18 (457)	64.5 (1638)	25.13 (638)	62.88 (1597)	4 (102)	1.13 (29)	2 (51)		31 (787)				
			326TS		18x64	18 (457)	64.5 (1638)	25.13 (638)	62.88 (1597)	4 (102)	1.13 (29)	2 (51)		29 (737)				
			364T		18x64	18 (457)	64.5 (1638)	25.13 (638)	62.88 (1597)	4 (102)	1.13 (29)	2 (51)		33 (838)				
			364TS		18x64	18 (457)	64.5 (1638)	25.13 (638)	62.88 (1597)	4 (102)	1.13 (29)	2 (51)		31 (787)				
			3-384-11 PF 21		3	4	213T	33.5 (851)	18x54	18 (457)	54.5 (1384)	25.13 (638)		52.88 (1343)				
215T	18x54	18 (457)		54.5 (1384)			25.13 (638)		52.88 (1343)	4 (102)	1.13 (29)	2 (51)	19 (483)					
254T	18x64	18 (457)		64.5 (1638)			25.13 (638)		62.88 (1597)	4 (102)	1.13 (29)	2 (51)	24 (610)					
256T	18x64	18 (457)		64.5 (1638)			25.13 (638)		62.88 (1597)	4 (102)	1.13 (29)	2 (51)	25 (635)					
284T	18x64	18 (457)		64.5 (1638)			25.13 (638)		62.88 (1597)	4 (102)	1.13 (29)	2 (51)	27 (686)					
284TS	18x64	18 (457)		64.5 (1638)			25.13 (638)		62.88 (1597)	4 (102)	1.13 (29)	2 (51)	25 (635)					
286T	18x64	18 (457)		64.5 (1638)			25.13 (638)		62.88 (1597)	4 (102)	1.13 (29)	2 (51)	28 (711)					
286TS	18x64	18 (457)		64.5 (1638)			25.13 (638)		62.88 (1597)	4 (102)	1.13 (29)	2 (51)	26 (660)					
324T	22x64	22 (559)		64.5 (1638)			29.13 (740)		62.88 (1597)	4.5 (114)	1.13 (29)	2 (51)	29 (737)					
324TS	22x64	22 (559)		64.5 (1638)			29.13 (740)		62.88 (1597)	4.5 (114)	1.13 (29)	2 (51)	28 (711)					
326T	22x64	22 (559)		64.5 (1638)			29.13 (740)		62.88 (1597)	4.5 (114)	1.13 (29)	2 (51)	31 (787)					
326TS	22x64	22 (559)		64.5 (1638)			29.13 (740)		62.88 (1597)	4.5 (114)	1.13 (29)	2 (51)	29 (737)					
364T	22x64	22 (559)		64.5 (1638)			29.13 (740)		62.88 (1597)	4.5 (114)	1.13 (29)	2 (51)	33 (838)					
364TS	22x64	22 (559)		64.5 (1638)			29.13 (740)		62.88 (1597)	4.5 (114)	1.13 (29)	2 (51)	31 (787)					
365T	22x64	22 (559)		64.5 (1638)			29.13 (740)		62.88 (1597)	4.5 (114)	1.13 (29)	2 (51)	34 (864)					
365TS	22x64	22 (559)		64.5 (1638)			29.13 (740)		62.88 (1597)	4.5 (114)	1.13 (29)	2 (51)	32 (813)					
404T	22x74	22 (559)		74.5 (1892)			29.13 (740)		72.88 (1851)	4.5 (114)	1.13 (29)	2 (51)	38 (965)					
404TS	22x74	22 (559)		74.5 (1892)			29.13 (740)		72.88 (1851)	4.5 (114)	1.13 (29)	2 (51)	34 (864)					
405T*	22x74	22 (559)		74.5 (1892)			29.13 (740)		72.88 (1851)	4.5 (114)	1.13 (29)	2 (51)	39 (991)					
405T	22x74	22 (559)		74.5 (1892)			29.13 (740)		72.88 (1851)	4.5 (114)	1.13 (29)	2 (51)	39 (991)					
405TS*	22x74	22 (559)		74.5 (1892)			29.13 (740)		72.88 (1851)	4.5 (114)	1.13 (29)	2 (51)	36 (914)					
405TS	22x74	22 (559)		74.5 (1892)			29.13 (740)		72.88 (1851)	4.5 (114)	1.13 (29)	2 (51)	36 (914)					
444T	26x72	26 (660)		72.5 (1842)			33.13 (842)		70.88 (1800)	4.5 (114)	1.13 (29)	2 (51)	45 (1143)					
444TS	26x72	26 (660)		72.5 (1842)			33.13 (842)		70.88 (1800)	4.5 (114)	1.13 (29)	2 (51)	41 (1041)					

NOTES:

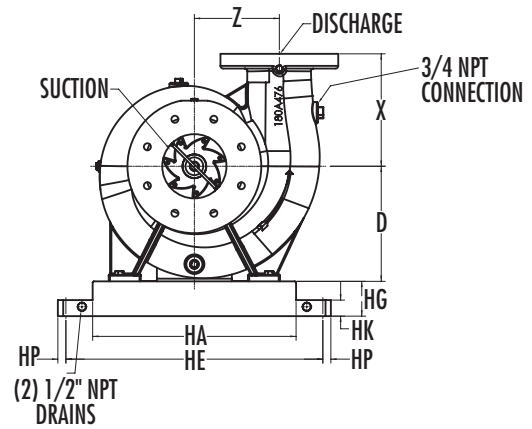
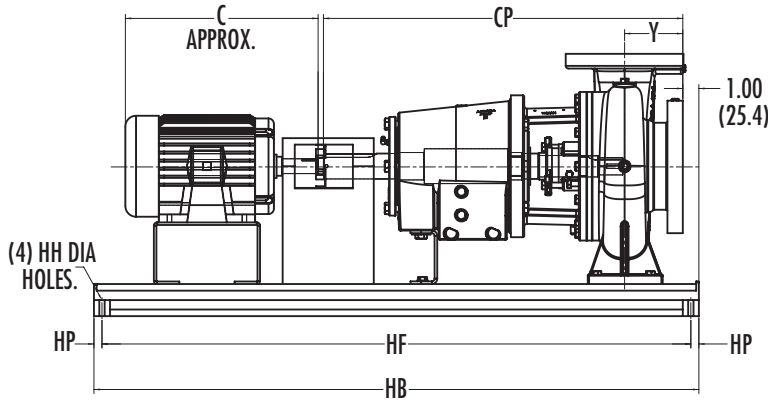
- Dimensions are approximate.
- All dimensions are in inches (mm) and may vary $\pm 1/4$ (6).
- Not for construction purposes unless certified.
- For 3-384-11 and 3-384-13.5 pump sizes ANSI 125# suction and 250# discharge flanges are standard, 250# suction and discharge or 125# suction and discharge are available as options. For all other pump sizes 125# ANSI suction and discharge flanges are standard. 250# suction and discharge or 125# suction and 250# discharge available as options.

* 3000 RPM 150HP Frame



AURORA MODEL 384 PUMPS

ON STEEL DRIP RIM BASE



AP Fire Pump End Suction	Disch.	Suct.	Motor Frame Size	CP	Base Size	HA	HB	HE	HF	HG	HH	HK	HP	C	D	X	Y	Z
2.5-384-13.5 PF 3	2.5	3	184T	28.16 (715)	18x54	18 (457)	54.5 (1384)	25.13 (638)	52.88 (1343)	4 (102)	1.13 (29)	2 (51)	0.81 (21)	15 (381)	10 (254)	9 (229)	6 (152)	8 (203)
			213T		18x54	18 (457)	54.5 (1384)	25.13 (638)	52.88 (1343)	4 (102)	1.13 (29)	2 (51)		18 (457)				
			215T		18x54	18 (457)	54.5 (1384)	25.13 (638)	52.88 (1343)	4 (102)	1.13 (29)	2 (51)		19 (483)				
			254T		18x54	18 (457)	54.5 (1384)	25.13 (638)	52.88 (1343)	4 (102)	1.13 (29)	2 (51)		24 (610)				
			256T		18x54	18 (457)	54.5 (1384)	25.13 (638)	52.88 (1343)	4 (102)	1.13 (29)	2 (51)		25 (635)				
			284T		18x54	18 (457)	54.5 (1384)	25.13 (638)	52.88 (1343)	4 (102)	1.13 (29)	2 (51)		27 (686)				
			284TS		18x54	18 (457)	54.5 (1384)	25.13 (638)	52.88 (1343)	4 (102)	1.13 (29)	2 (51)		25 (635)				
3-384-13.5 PF 21	3	4	215T	33.78 (858)	18x54	18 (457)	54.5 (1384)	25.13 (638)	52.88 (1343)	4 (102)	1.13 (29)	2 (51)	0.81 (21)	19 (483)	10 (254)	9.5 (241)	5.62 (143)	8 (203)
			254T		18x64	18 (457)	64.5 (1638)	25.13 (638)	62.88 (1597)	4 (102)	1.13 (29)	2 (51)		24 (610)				
			256T		18x64	18 (457)	64.5 (1638)	25.13 (638)	62.88 (1597)	4 (102)	1.13 (29)	2 (51)		25 (635)				
			284T		18x64	18 (457)	64.5 (1638)	25.13 (638)	62.88 (1597)	4 (102)	1.13 (29)	2 (51)		27 (686)				
			284TS		18x64	18 (457)	64.5 (1638)	25.13 (638)	62.88 (1597)	4 (102)	1.13 (29)	2 (51)		25 (635)				
			286T		18x64	18 (457)	64.5 (1638)	25.13 (638)	62.88 (1597)	4 (102)	1.13 (29)	2 (51)		28 (711)				
			286TS		18x64	18 (457)	64.5 (1638)	25.13 (638)	62.88 (1597)	4 (102)	1.13 (29)	2 (51)		26 (660)				
			324T		22x64	22 (559)	64.5 (1638)	29.13 (740)	62.88 (1597)	4.5 (114)	1.13 (29)	2 (51)		29 (737)				
			324TS		22x64	22 (559)	64.5 (1638)	29.13 (740)	62.88 (1597)	4.5 (114)	1.13 (29)	2 (51)		28 (711)				
			326T		22x64	22 (559)	64.5 (1638)	29.13 (740)	62.88 (1597)	4.5 (114)	1.13 (29)	2 (51)		31 (787)				
			326TS		22x64	22 (559)	64.5 (1638)	29.13 (740)	62.88 (1597)	4.5 (114)	1.13 (29)	2 (51)		29 (737)				
			364T		22x64	22 (559)	64.5 (1638)	29.13 (740)	62.88 (1597)	4.5 (114)	1.13 (29)	2 (51)		33 (838)				
			364TS		22x64	22 (559)	64.5 (1638)	29.13 (740)	62.88 (1597)	4.5 (114)	1.13 (29)	2 (51)		31 (787)				
			365T		22x64	22 (559)	64.5 (1638)	29.13 (740)	62.88 (1597)	4.5 (114)	1.13 (29)	2 (51)		34 (864)				
			365TS		22x64	22 (559)	64.5 (1638)	29.13 (740)	62.88 (1597)	4.5 (114)	1.13 (29)	2 (51)		32 (813)				
			404T		22x74	22 (559)	74.5 (1892)	29.13 (740)	72.88 (1851)	4.5 (114)	1.13 (29)	2 (51)		38 (965)				
			404TS		22x74	22 (559)	74.5 (1892)	29.13 (740)	72.88 (1851)	4.5 (114)	1.13 (29)	2 (51)		34 (864)				
			405T*		22x74	22 (559)	74.5 (1892)	29.13 (740)	72.88 (1851)	4.5 (114)	1.13 (29)	2 (51)		39 (991)				
			405T		22x74	22 (559)	74.5 (1892)	29.13 (740)	72.88 (1851)	4.5 (114)	1.13 (29)	2 (51)		39 (991)				
			405TS*		22x74	22 (559)	74.5 (1892)	29.13 (740)	72.88 (1851)	4.5 (114)	1.13 (29)	2 (51)		36 (914)				
			405TS		22x74	22 (559)	74.5 (1892)	29.13 (740)	72.88 (1851)	4.5 (114)	1.13 (29)	2 (51)		36 (914)				
			444T		26x72	26 (660)	72.5 (1842)	33.13 (842)	70.88 (1800)	4.5 (114)	1.13 (29)	2 (51)		45 (1143)				
			444TS		26x72	26 (660)	72.5 (1842)	33.13 (842)	70.88 (1800)	4.5 (114)	1.13 (29)	2 (51)		41 (1041)				
			445T		26x84	26 (660)	84.5 (2146)	33.13 (842)	82.88 (2105)	4.5 (114)	1.13 (29)	2 (51)		46 (1168)				
445TS	26x72	26 (660)	72.5 (1842)	33.13 (842)	70.88 (1800)	4.5 (114)	1.13 (29)	2 (51)	42 (1067)									

NOTES:

- Dimensions are approximate.
- All dimensions are in inches (mm) and may vary $\pm 1/4$ (6).
- Not for construction purposes unless certified.
- For 3-384-11 and 3-384-13.5 pump sizes ANSI 125# suction and 250# discharge flanges are standard, 250# suction and discharge or 125# suction and discharge are available as options. For all other pump sizes 125# ANSI suction and discharge flanges are standard. 250# suction and discharge or 125# suction and 250# discharge available as options.

* 3000 RPM 150HP Frame

AURORA MODEL 384 PUMPS

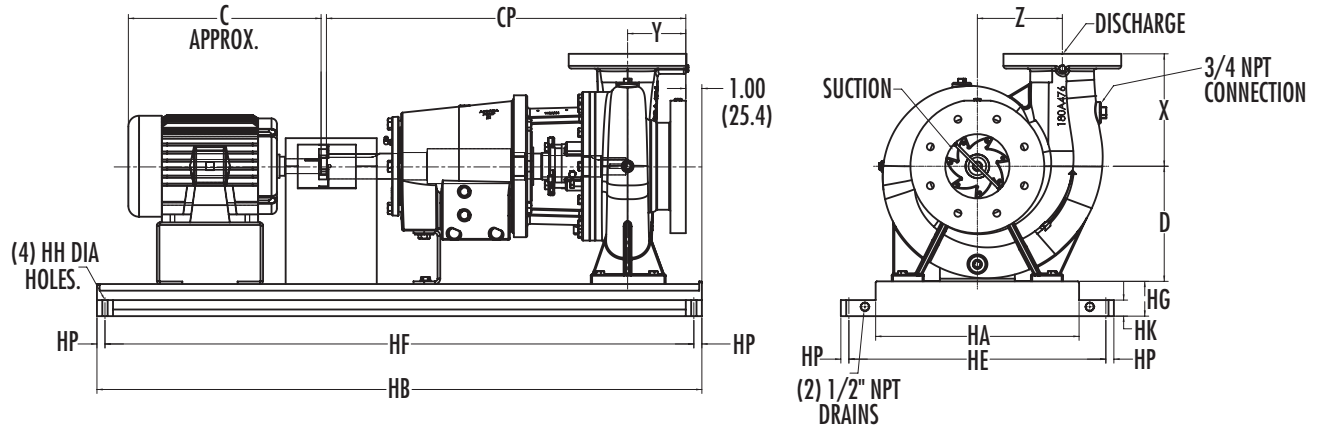
ON STEEL DRIP RIM BASE

Section **911.5** Page **211**

Date **May 2013**

Supersedes Section 911.5 Page 211

Dated September 2012



AP Fire Pump End Suction	Disch.	Suct.	Motor Frame Size	CP	Base Size	HA	HB	HE	HF	HG	HH	HK	HP	C	D	X	Y	Z
6-384-13.5 PF 21	6	8	286T	34.72 (882)	26x72	26 (660)	72.5 (1842)	33.13 (842)	70.88 (1800)	4.5 (114)	1.13 (29)	2 (51)	0.81 (21)	28 (711)	13 (330)	13.38 (340)	6.5 (165)	9.3125 (237)
			286TS		26x72	26 (660)	72.5 (1842)	33.13 (842)	70.88 (1800)	4.5 (114)	1.13 (29)	2 (51)		26 (660)				
			324T		26x72	26 (660)	72.5 (1842)	33.13 (842)	70.88 (1800)	4.5 (114)	1.13 (29)	2 (51)		29 (737)				
			324TS		26x72	26 (660)	72.5 (1842)	33.13 (842)	70.88 (1800)	4.5 (114)	1.13 (29)	2 (51)		28 (711)				
			326T		26x72	26 (660)	72.5 (1842)	33.13 (842)	70.88 (1800)	4.5 (114)	1.13 (29)	2 (51)		31 (787)				
			326TS		26x72	26 (660)	72.5 (1842)	33.13 (842)	70.88 (1800)	4.5 (114)	1.13 (29)	2 (51)		29 (737)				
			364T		26x72	26 (660)	72.5 (1842)	33.13 (842)	70.88 (1800)	4.5 (114)	1.13 (29)	2 (51)		33 (838)				
			364TS		26x72	26 (660)	72.5 (1842)	33.13 (842)	70.88 (1800)	4.5 (114)	1.13 (29)	2 (51)		31 (787)				
			365T		26x72	26 (660)	72.5 (1842)	33.13 (842)	70.88 (1800)	4.5 (114)	1.13 (29)	2 (51)		34 (864)				
			365TS		26x72	26 (660)	72.5 (1842)	33.13 (842)	70.88 (1800)	4.5 (114)	1.13 (29)	2 (51)		32 (813)				
			404T		26x72	26 (660)	72.5 (1842)	33.13 (842)	70.88 (1800)	4.5 (114)	1.13 (29)	2 (51)		38 (965)				
			404TS		26x72	26 (660)	72.5 (1842)	33.13 (842)	70.88 (1800)	4.5 (114)	1.13 (29)	2 (51)		34 (864)				
			405T		26x72	26 (660)	72.5 (1842)	33.13 (842)	70.88 (1800)	4.5 (114)	1.13 (29)	2 (51)		39 (991)				
			405TS		26x72	26 (660)	72.5 (1842)	33.13 (842)	70.88 (1800)	4.5 (114)	1.13 (29)	2 (51)		36 (914)				
			444T		26x84	26 (660)	84.5 (2146)	33.13 (842)	82.88 (2105)	4.5 (114)	1.13 (29)	2 (51)		45 (1143)				
			444TS		26x72	26 (660)	72.5 (1842)	33.13 (842)	70.88 (1800)	4.5 (114)	1.13 (29)	2 (51)		41 (1041)				
8-384-13.5 PF 21	8	10	364T	36.06 (916)	26x72	26 (660)	72.5 (1842)	33.13 (842)	70.88 (1800)	4.5 (114)	1.13 (29)	2 (51)	0.81 (21)	33 (838)	15 (381)	14 (356)	8 (203)	11 (279)
			364TS		26x72	26 (660)	72.5 (1842)	33.13 (842)	70.88 (1800)	4.5 (114)	1.13 (29)	2 (51)		31 (787)				
			365T		26x72	26 (660)	72.5 (1842)	33.13 (842)	70.88 (1800)	4.5 (114)	1.13 (29)	2 (51)		34 (864)				
			365TS		26x72	26 (660)	72.5 (1842)	33.13 (842)	70.88 (1800)	4.5 (114)	1.13 (29)	2 (51)		32 (813)				
			404T		26x72	26 (660)	72.5 (1842)	33.13 (842)	70.88 (1800)	4.5 (114)	1.13 (29)	2 (51)		38 (965)				
			404TS		26x72	26 (660)	72.5 (1842)	33.13 (842)	70.88 (1800)	4.5 (114)	1.13 (29)	2 (51)		34 (864)				
			405T		26x72	26 (660)	72.5 (1842)	33.13 (842)	70.88 (1800)	4.5 (114)	1.13 (29)	2 (51)		39 (991)				
			405TS		26x72	26 (660)	72.5 (1842)	33.13 (842)	70.88 (1800)	4.5 (114)	1.13 (29)	2 (51)		36 (914)				
			444T		26x84	26 (660)	84.5 (2146)	33.13 (842)	82.88 (2105)	4.5 (114)	1.13 (29)	2 (51)		45 (1143)				
			444TS		26x72	26 (660)	72.5 (1842)	33.13 (842)	70.88 (1800)	4.5 (114)	1.13 (29)	2 (51)		41 (1041)				

NOTES:

1. Dimensions are approximate.
2. All dimensions are in inches (mm) and may vary $\pm 1/4$ (6).
3. Not for construction purposes unless certified.
4. For 3-384-11 and 3-384-13.5 pump sizes ANSI 125# suction and 250# discharge flanges are standard, 250# suction and discharge or 125# suction and discharge are available as options. For all other pump sizes 125# ANSI suction and discharge flanges are standard. 250# suction and discharge or 125# suction and 250# discharge available as options.

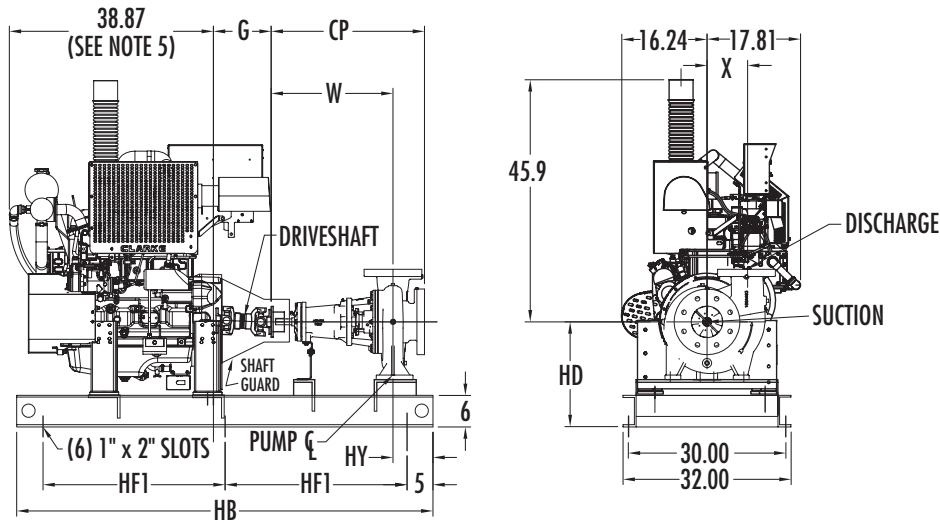
* 3000 RPM 150HP Frame

THIS PAGE LEFT INTENTIONALLY BLANK

AURORA MODEL 384 PUMPS

CLARKE MODEL JU4H-UFAEA0, -UFAEE8,
-UFAEF2, -UFADJ8, -UFADJ2

Supersedes Section 911.5 Page 213
Dated September 2012



Pump Size			Suct.	W	X	CP	HB	HD	HF1	HY
Disch.	Model	Case Bore								
2	384	11	3	21.97	6.5	27.47	78	20	34	8.03
2.5	384	13.5	3	22.16	8	28.16	78	20	34	7.84
3	384	11	4	28	7.38	33.50	88	20	39	12.0
3	384	13.5	4	28.16	8	33.78	88	20	39	11.84
4	384	9.5	5	28.27	7	33.27	88	20	39	11.83
6	384	13.5	8	28.22	9.31	34.72	88	20	39	11.78
8	384	13.5	10	28.06	11	36.06	88	21	39	11.94

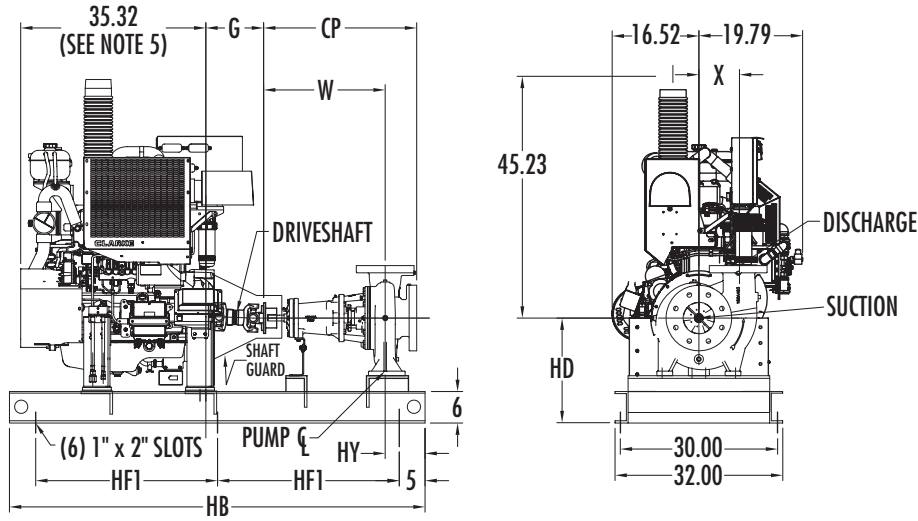
UL Listed Driveshaft		G	A	C
Engine Model	Driveshaft Model			
JU4H-UFAEA0	CDS10-SC	10.50	.25	.09
JU4H-UFAEE8, AEF2, ADJ8, ADJ2	CDS20-SC	11.00	.25	.08

NOTES:

1. All dimensions are in inches and may vary $\pm 3/8"$.
2. Not for construction purposes unless certified.
3. Caution: The driveshaft is designed to operate at a 2° angle with the input and output shafts in parallel. The engine crankshaft is to be set with a parallel offset of "A" \pm "C" inches vertically above the pump shaft and $0.00" \pm "C"$ inch parallel offset horizontally right or left of the pump shaft. Refer to the Certified Driveshaft Instructions Manual for alignment instructions.
4. Pump suction and discharge flanges are ANSI standard flat face.
5. Refer to individual engine dimension print for reference point used to determine engine overall length.
6. Left-hand (counterclockwise) rotation is not available.
7. For 3-384-11 and 3-384-13.5 pump sizes ANSI 125# suction and 250# discharge flanges are standard, 250# suction and discharge or 125# suction and discharge are available as options. For all other pump sizes 125# ANSI suction and discharge flanges are standard. 250# suction and discharge or 125# suction and 250# discharge are available as options.

AURORA MODEL 384 PUMPS

CLARKE MODEL JU4H-UFAD5G, -UFADJG,
-UFADPO, -UFADRO, -UFADW8, -UFADY8



Pump Size			Suct.	W	X	CP	HB	HD	HF1	HY
Disch.	Model	Case Bore								
6	384	13.5	8	28.22	9.31	34.72	88	20	39	11.78
8	384	13.5	10	28.06	11	36.06	88	21	39	11.94

UL Listed Driveshaft		
Engine Model	Driveshaft Model	G
JU4H-UFAD5G, -UFADJG, -UFADPO, -UFADRO, -UFADW8, -UFADY8	CDS30-S1	15.75

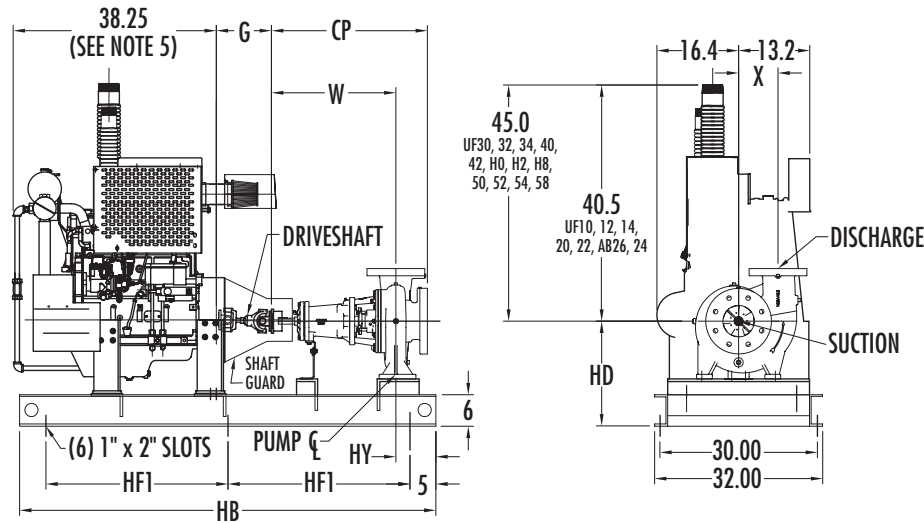
NOTES:

- All dimensions are in inches and may vary $\pm 3/8"$.
- Not for construction purposes unless certified.
- Caution: The driveshaft is designed to operate at a 2° angle with the input and output shafts in parallel. The engine crankshaft is to be set with a parallel offset of $0.35" \pm 0.10$ inches vertically above the pump shaft and $0.00" \pm 0.10$ inch parallel offset horizontally right or left of the pump shaft. Refer to the Certified Driveshaft Instructions Manual for alignment instructions.
- Pump suction and discharge flanges are ANSI standard flat face.
- Refer to individual engine dimension print for reference point used to determine engine overall length.
- Left-hand (counterclockwise) rotation is not available.
- For 3-384-11 and 3-384-13.5 pump sizes ANSI 125# suction and 250# discharge flanges are standard, 250# suction and discharge or 125# suction and discharge are available as options. For all other pump sizes 125# ANSI suction and discharge flanges are standard. 250# suction and discharge or 125# suction and 250# discharge available as options.

AURORA MODEL 384 PUMPS

CLARKE MODEL JU4H-UF10, -UF12, -UF14, -UF20,
 -UF22, -UFAB26, -UF24, -UF30, -UF32, -UF34,
 -UFH8, -UFH0, -UFH2, -UF40, -UF42, -UF58,
 -UF50, -UF52, -UF54

Supersedes Section 911.5 Page 215
 Dated September 2012



Pump Size			STANDARD 125# SUCTION AND DISCHARGE FLANGES	OPTIONAL 125# SUCTION FLANGE, 250# DISCHARGE FLANGE	OPTIONAL 250# SUCTION AND DISCHARGE FLANGES	Suct.	W	X	CP	HB	HD	HF1	HY
Disch.	Model	Case Bore											
2	384	11	3	21.97	6.5	27.47	78	20	34	8.03			
2.5	384	7	3	22.13	4.69	26.38	78	20	34	7.87			
2.5	384	13.5	3	22.16	8	28.16	78	20	34	7.84			
3	384	11	4	28	7.38	33.50	88	20	39	12.0			
3	384	13.5	4	28.16	8	33.78	88	20	39	11.84			
4	384	7	5	22.22	5.75	27.16	78	20	34	7.78			
4	384	9.5	5	28.27	7	33.27	88	20	39	11.83			
5	384	9.5	6	22.38	7.50	28.38	78	20	34	7.63			
6	384	9.5	8	28.38	8.25	35.38	88	20	39	11.62			
6	384	13.5	8	28.22	9.31	34.72	88	20	39	11.78			
8	384	13.5	10	28.06	11	36.06	88	21	39	11.94			

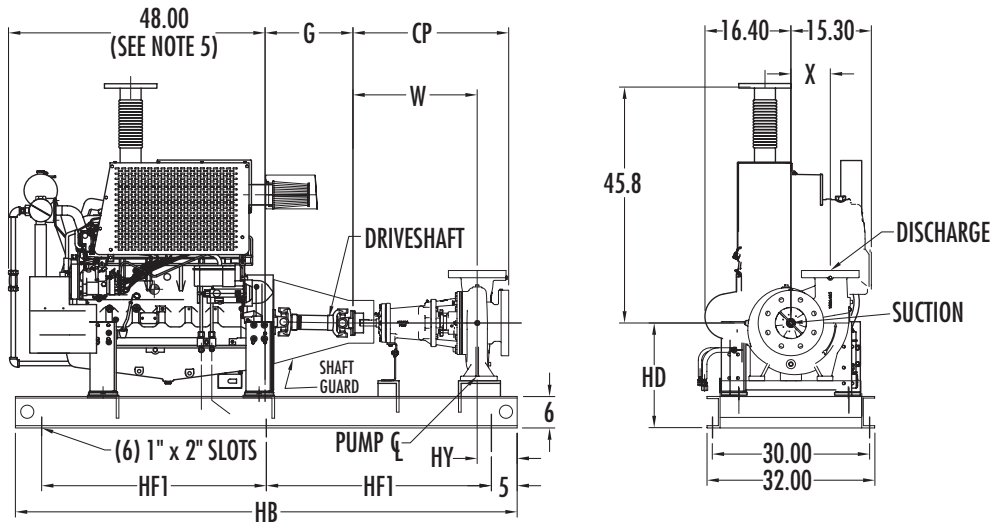
UL Listed Driveshaft				
Engine Model	Driveshaft Model	G	A	C
JU4H-UF10, 12, 14, 20, 22, AB26, 24	CDS10-SC	10.50	.25	.09
JU4H-UF30, 32, 34, H8, H0, H2, 40, 42	CDS20-SC	11.00	.25	.08
JU4H-UF58, 50, 52, 54	CDS30-S1	15.62	.35	.10

NOTES:

- All dimensions are in inches and may vary $\pm 3/8"$.
- Not for construction purposes unless certified.
- Caution: The driveshaft is designed to operate at a 2° angle with the input and output shafts in parallel. The engine crankshaft is to be set with a parallel offset of "A" \pm "C" inches vertically above the pump shaft and 0.00" \pm "C" inch parallel offset horizontally right or left of the pump shaft. Refer to the Certified Driveshaft Instructions Manual for alignment instructions.
- Pump suction and discharge flanges are ANSI standard flat face.
- Refer to individual engine dimension print for reference point used to determine engine overall length.
- Left-hand (counterclockwise) rotation is not available.
- For 3-384-11 and 3-384-13.5 pump sizes ANSI 125# suction and 250# discharge flanges are standard, 250# suction and discharge or 125# suction and discharge are available as options. For all other pump sizes 125# ANSI suction and discharge flanges are standard. 250# suction and discharge or 125# suction and 250# discharge available as options.

AURORA MODEL 384 PUMPS

CLARKE MODEL JU6H-UFD0, -UFD2, -UF30,
-UF32, -UF34, -UFG8, -UFABL8, -UFABLO,
-UFABL2, -UFM8, -UFM0, -UFM2, -UF58, -UF50,
-UF52, -UF54, -UFAB76, -UF68, -UF60, -UF62, -UF84



Pump Size			Suct.	W	X	CP	HB	HD	HF1	HY
Disch.	Model	Case Bore								
6	384	9.5	8	28.38	8.25	35.38	88	20	39	11.62
6	384	13.5	8	28.22	9.31	34.72	88	20	39	11.78
8	384	13.5	10	28.06	11	36.06	88	21	39	11.94

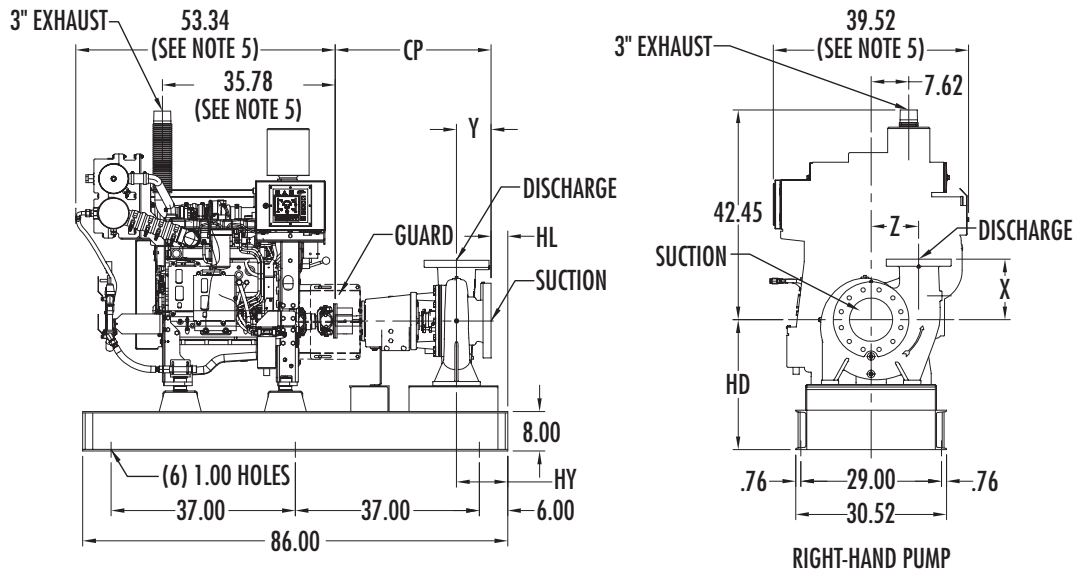
UL Listed Driveshaft				
Engine Model	Driveshaft Model	G	A	C
JU6H-UFD0, -UFD2, -UF30, -UF32, -UF34	CDS20-S1	15.63	.25	.08
JU6H-UFG8, -UFABL8, -UFABLO, -UFABL2, -UFM8, -UFM0, -UFM2, -UF58, -UF50, -UF52, -UF54, -UFAB76, -UF68, -UF60, -UF62, -UF84	CDS30-S1	15.63	.35	.10

NOTES:

1. All dimensions are in inches and may vary $\pm 3/8"$.
2. Not for construction purposes unless certified.
3. Caution: The driveshaft is designed to operate at a 2° angle with the input and output shafts in parallel. The engine crankshaft is to be set with a parallel offset of "A" \pm "C" inches vertically above the pump shaft and $0.00 \pm$ "C" inch parallel offset horizontally right or left of the pump shaft. Refer to the Certified Driveshaft Instructions Manual for alignment instructions.
4. Pump suction and discharge flanges are ANSI standard flat face.
5. Refer to individual engine dimension print for reference point used to determine engine overall length.
6. Left-hand (counterclockwise) rotation is not available.
7. For 3-384-11 and 3-384-13.5 pump sizes ANSI 125# suction and 250# discharge flanges are standard, 250# suction and discharge or 125# suction and discharge are available as options. For all other pump sizes 125# ANSI suction and discharge flanges are standard. 250# suction and discharge or 125# suction and 250# discharge available as options.

AURORA MODEL 384 PUMPS

CUMMINS CFP5E DIESEL ENGINE DRIVE



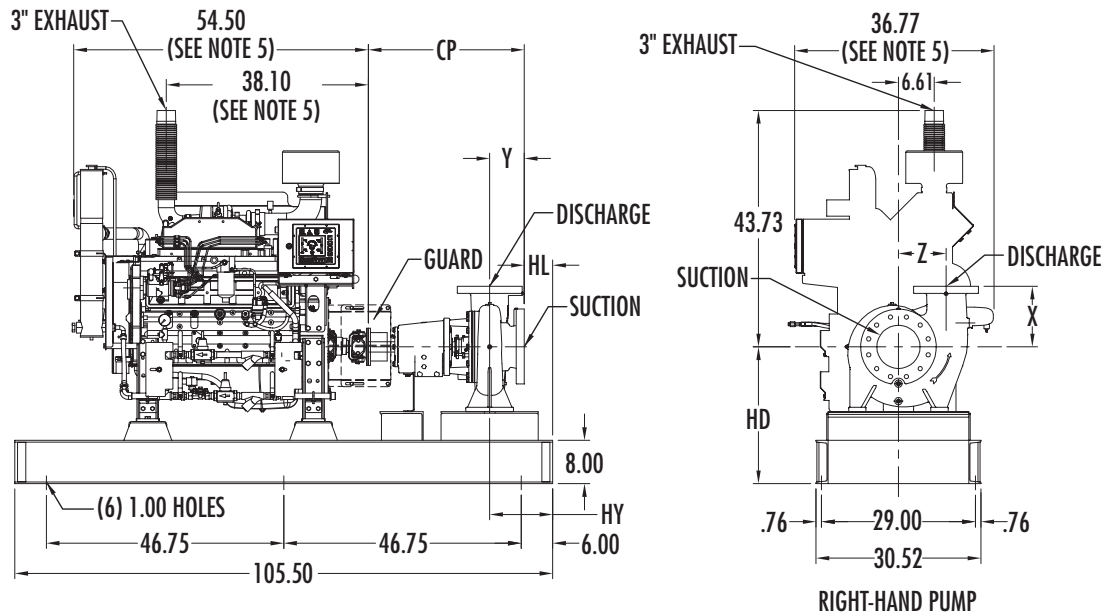
Pump Size			Suct.	Power Frame	CP	HD	HL	HY	X	Y	Z
Disch.	Model	Case Bore									
3	384	13.5	4	21A	33.78	25.19	5.75	11.38	9.50	5.62	8.00
6	384	9.5	8		35.38	25.19	3.38	10.38	10.50	7.00	8.25
6	384	13.5	8		34.72	25.19	4.50	11.00	13.38	6.50	9.31
8	384	13.5	10		36.06	25.19	3.00	11.00	14.00	8.00	11.00

NOTES:

1. All dimensions are in inches.
2. Dimensions may vary $\pm .38"$.
3. Not for construction purposes unless certified.
4. Suction and discharge flanges are ANSI Standard flat face.
5. Refer to individual engine dimension print for reference point used to determine dimension.
6. Left-hand rotation not available.
7. For 3-384-11 and 3-384-13.5 pump sizes ANSI 125# suction and 250# discharge flanges are standard, 250# suction and discharge or 125# suction and discharge are available as options. For all other pump sizes 125# ANSI suction and discharge flanges are standard. 250# suction and discharge or 125# suction and 250# discharge available as options.

AURORA MODEL 384 PUMPS

CUMMINS CFP 5.9 DIESEL ENGINE DRIVE



<input type="checkbox"/> STANDARD 125# SUCTION AND DISCHARGE FLANGES			<input type="checkbox"/> OPTIONAL 125# SUCTION FLANGE, 250# DISCHARGE FLANGE			<input type="checkbox"/> OPTIONAL 250# SUCTION AND DISCHARGE FLANGES					
Pump Size			Suct.	Power Frame	CP	HD	HL	HY	X	Y	Z
Disch.	Model	Case Bore									
3	384	13.5	4	21A	33.78	25.31	6.38	12.00	9.50	5.62	8.00
6	384	9.5	8		35.38	25.31	4.00	11.00	10.50	7.00	8.25
6	384	13.5	8		34.72	25.31	5.13	11.63	13.38	6.50	9.31
8	384	13.5	10		36.06	25.31	3.63	11.63	14.00	8.00	11.00

NOTES:

1. All dimensions are in inches.
2. Dimensions may vary $\pm .38"$.
3. Not for construction purposes unless certified.
4. Suction and discharge flanges are ANSI Standard flat face.
5. Refer to individual engine dimension print for reference point used to determine dimension.
6. Left-hand rotation not available.
7. For 3-384-11 and 3-384-13.5 pump sizes ANSI 125# suction and 250# discharge flanges are standard, 250# suction and discharge or 125# suction and discharge are available as options. For all other pump sizes 125# ANSI suction and discharge flanges are standard. 250# suction and discharge or 125# suction and 250# discharge available as options.