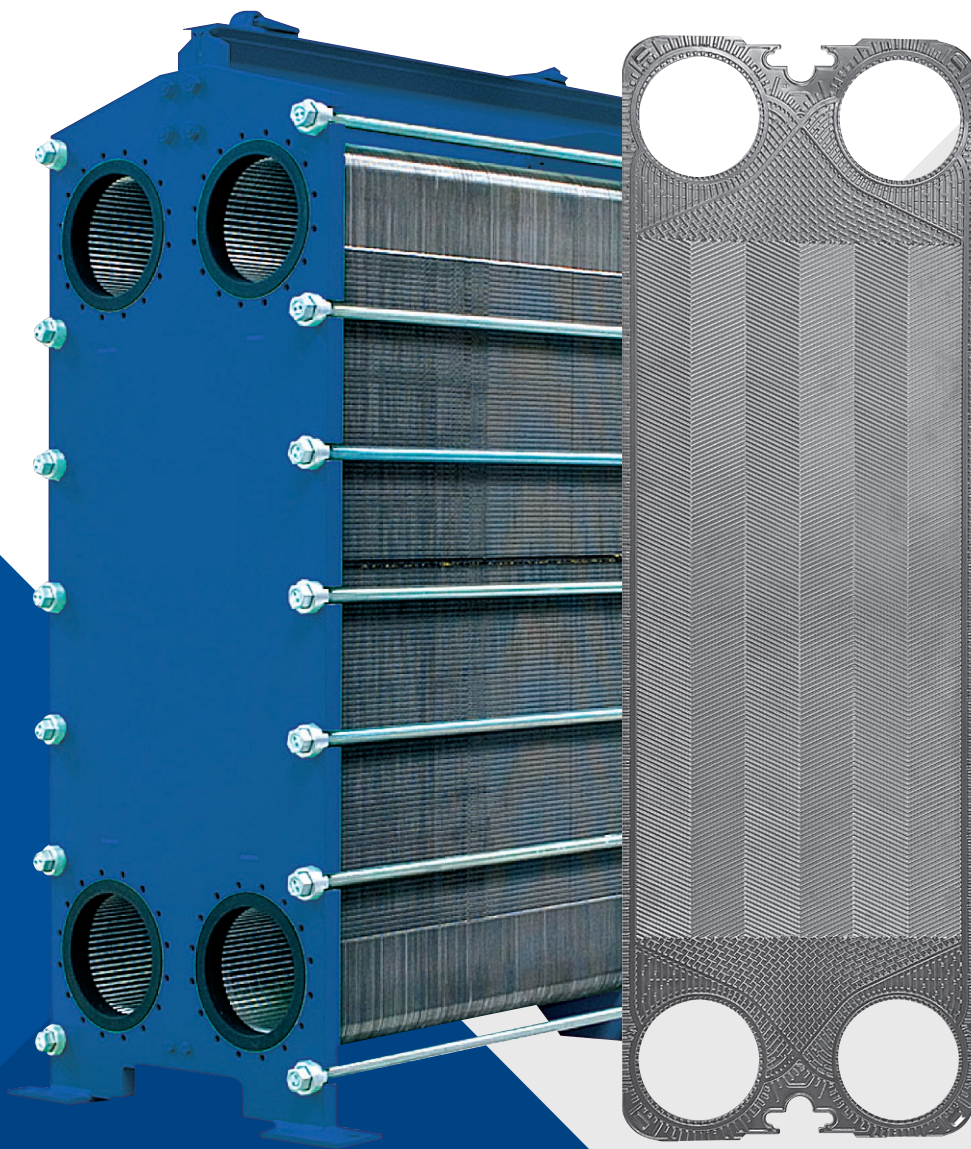


# GASKETED PLATE HEAT EXCHANGERS

## 1082PF SERIES



# AURORA 1082PF SERIES GASKETED PLATE HEAT EXCHANGERS

The 1082PF Series are gasketed plate heat exchangers used for multiple and high pressure applications. The 1082PF Series uses a variety of materials that work across a broad range of liquids, temperatures and pressures. These heat exchangers are well-suited for liquid-to-liquid applications such as HVAC, chemical, sugar, marine, food, renewable energy and power.

## UNIQUE & EFFICIENT

A 1°F temperature approach in a single-pass design comes from the smaller gap width combined with our unique design enabling you to reduce equipment size for a more efficient system design.

## PERFECT SELECTION

Materials, sizes, and plate configurations offered in a wide variety combine with sophisticated selection software to provide you with the perfect selection for all your needs.

## COMPACT DESIGN

More space for other equipment is created through a more compact size than traditional shell-and-tube technology.

## SUITABILITY AS A PRESSURE BREAKER

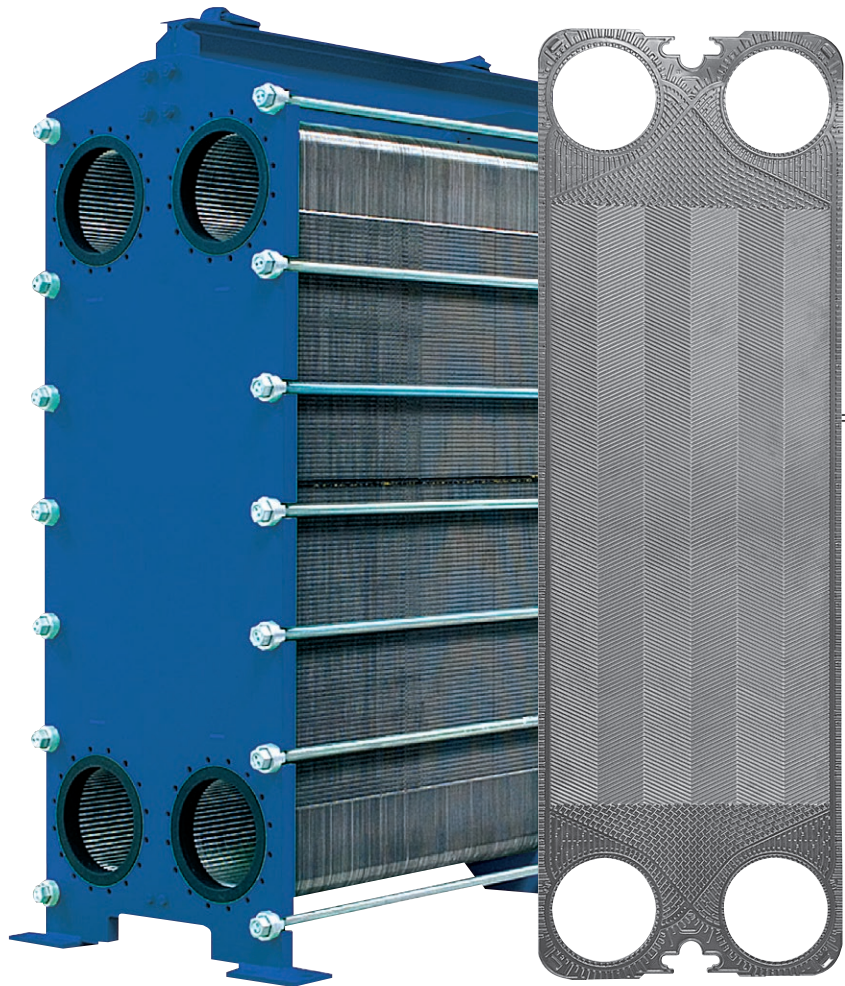
Where space is especially tight, a 360 psig design pressure means suitability as a pressure breaker in high-rise applications.

## SAVING YOU MONEY

Maximizing heat transfer and minimizing the number of plates (and cost) is accomplished by plate corrugations distributing the liquid evenly across the entire plate width.

## REASSURANCE

ASME and PED pressure vessel certifications.



# PUMP FEATURES

## FASTER, MORE EFFICIENT MAINTENANCE

- ◆ When reinstalling, plate lead-ins cause the plate pack to self-align.
- ◆ Gasket replacement is made easy with tools-free gaskets.
- ◆ No heavy lifting tools are needed since individual plates are used. Shorter down times result from our faster and more efficient maintenance.

## RELIABLE FOR YEARS TO COME

Careful corrugation design provides the ideal balance of high turbulence and proper fluid distribution, reducing fouling from less-than-perfect media.

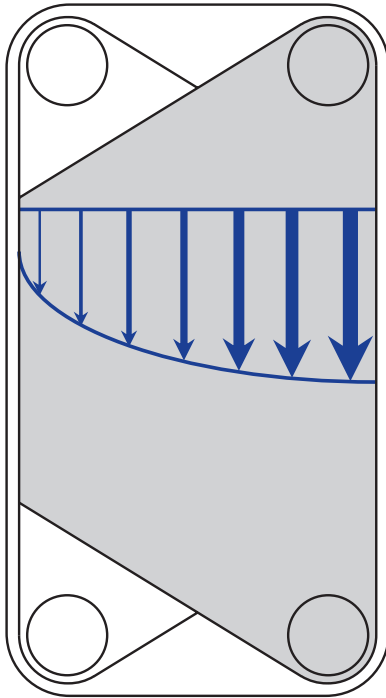
## HOW DOES A 1°F TEMPERATURE BENEFIT YOU?

You can accomplish the same end result with a smaller unit, increasing system efficiency at the same time, whether you need 1°F or not. You can do it without needing multiple units or a multipass heat exchanger and the extra piping cost that multipass represents. The benefits? Simpler design, smaller equipment, lower cost to your customers.

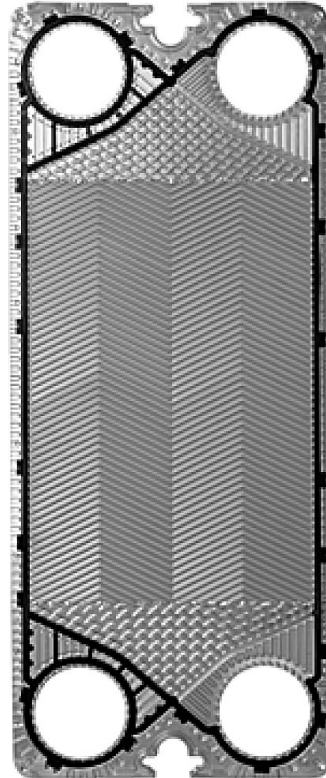
## SUPERIOR DESIGN – BETTER FOR YOU!

The Aurora plate design makes full use of the plate area, increasing efficiency with fewer plates providing even media flow over the entire width. Few plates are needed yet deliver the same or better heat transfer efficiency.

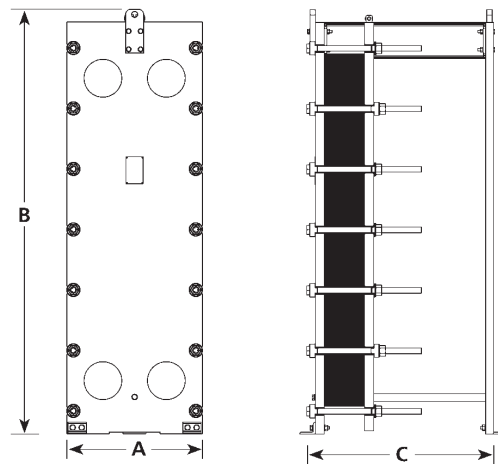
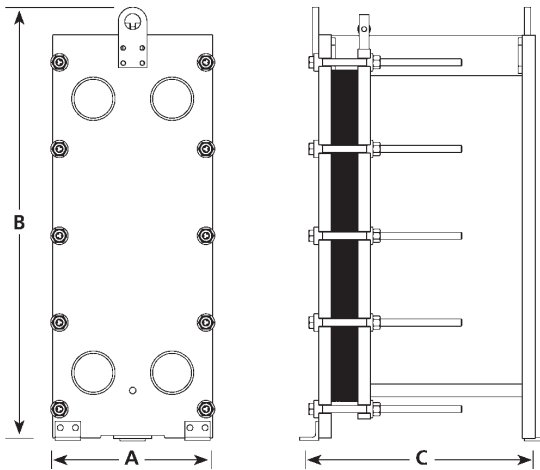
CONVENTIONAL DESIGN



CORRUGATED PLATE



# DIMENSION DETAILS



MODELS AUR049, AUR069, AUR109 ONLY

PUMP MODEL	CONNECTION SIZE	DIMENSIONS IN INCHES (MM)		
		A	B	C
AUR021	2" Nominal (DN50)	12.7" (323)	26.6" (675)	Up to 44" (1120)
AUR023			40.4" (1025)	
AUR025			54.9" (1395)	
AUR041	4" Nominal (DN100)	23.0" (584)	51.1" (1298)	Up to 158" (4013)
AUR043			67.5" (1716)	
AUR045			83.52" (2121)	
AUR049			81.1" (2060)	Up to 84" (2134)
AUR062	6" Nominal (DN150)	26.2" (665)	70.1" (1781)	Up to 159" (4039)
AUR064			89.4" (2271)	
AUR069			86.9" (2207)	Up to 108" (2744)
AUR102	10" Nominal (DN250)	35.2" (895)	89.5" (2273)	Up to 159" (4039)
AUR103			99.6" (2529)	
AUR104			112.8" (2866)	
AUR109			110.5" (2807)	Up to 108" (2744)
AUR142	14" Nominal (DN350)	44.7" (1134)	115.4" (2930)	Up to 238" (6045)
AUR143			128.6" (3267)	
AUR144			141.9" (3604)	

\*Approximate, varies with design requirements.



800 Airport Road  
North Aurora, IL 60542

3601 Fairbanks Ave.  
Kansas City, KS 66106

[pentair.com/aurora](http://pentair.com/aurora)



WEMA