

# HIGH CAPACITY CHLORINE/BROMINE FEEDERS

Sanitization made super simple.

High capacity feeders are one of the easiest ways to sanitize large residential and commercial swimming pools using either chlorine or bromine slow-dissolve tablets. These heavy-duty, high capacity feeders provide automatic sanitization for pools up to 658,500 gallons. They are designed for offline plumbing installations using one-inch PVC pipe and are available in three sizes to fit a variety of pool applications.



## HIGH CAPACITY CHLORINE/BROMINE FEEDERS

The performance leader in automatic sanitization for large residential and commercial pools.

The INLET control valve side of the feeder connects to the plumbing on the discharge side of the pump, before the filter. The OUTLET side of the feeder connects to the pool return line after the filter and/or heater, pool cleaner, diverter valves or any other installed equipment. Installation of a corrosion-resistant check valve, such as #R172288 by Pentair, between the feeder inlet and outlet and the equipment is strongly recommended to check backflow of chemicals. This helps ensure equipment longevity.

### KEY FEATURES

#### Heavy-duty control valve

For accurate feed rate adjustment.

#### Completely enclosed system

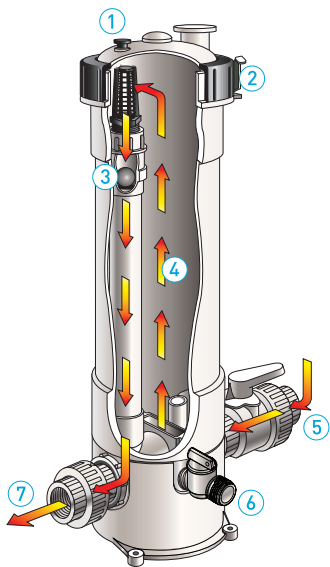
Prevents fumes from escaping—no special venting required.

#### Easy access design

For easy recharging, servicing and simple maintenance.

#### Threaded fittings included

Standard threaded inlet and outlet fittings included for easy installation.



#### 1. Vent valve

bleeds air to ease lid removal.

#### 2. Lock ring

spins off, freeing lid and providing easy access. Snap-lock provides secure seal.

#### 3. Screen and check ball

are easy to reach for cleaning and periodic maintenance.

#### 4. Flow-through circulation

allows maximum output of sanitized water.

#### 5. External dial control

for easy flow rate adjustment.

#### 6. Drain valve

makes it easy to drain feeder for safer recharging and winterizing.

#### 7. Unions

are included for easy installation.

**CALCIUM HYPOCHLORITE IS NOT TO BE USED IN ANY FORM.**  
Use of chemicals other than those recommended by manufacturer may be hazardous.

### MODELS & SPECIFICATIONS

Model	HC-3315	HC-3330	HC-3340	
Part Number	R171215	R171230	R171240	
Height	21.5"	39.125"	49.75"	
Width	8"	8"	8"	
Depth	15"	15"	15"	
Maintenance Clearance	22.75"	40.375"	51"	
Capacity (lbs.)	15	30	40	
Flow Rate (GPM)	34	34	34	
<b>@ 100% Setting</b>	Maximum Output Rate, Chlorine* (lbs./hr.)—Pool at Listed Flow Rate	3.65	5.2	8.54
	Maximum Output Rate, Chlorine* (lbs./hr.)—Spa at Listed Flow Rate	3.67	6.59	8.89
	Maximum Output Rate, Bromine* (lbs./hr.)—Pool at Listed Flow Rate	1.59	2.63	2.57
Flow Rate (GPM)	17.0	17.0	17.0	
<b>@ 50% Setting</b>	Output Rate, Chlorine* (lbs./hr.)—Pool at Listed Flow Rate	1.28	2.61	3.39
	Output Rate, Chlorine* (lbs./hr.)—Spa at Listed Flow Rate	1.19	2.54	3.86
	Output Rate, Bromine (lbs./hr.)—Pool at Listed Flow Rate	0.68	1.26	1.50
Maximum Pool Size @ 34 GPM (Chlorine-Gals)	224,000	369,000	658,500	
Maximum Pool Size @ 34 GPM (Bromine-Gals)	99,200	164,000	292,600	

Maximum working pressure—50 psi

\*Results based on use of 1" Trichlor tablets.

Maximum operating flow—34 GPM



1620 Hawkins Ave | Sanford, NC 27330 | United States | 800.831.7133 | pentair.com

All indicated Pentair trademarks and logos are property of Pentair. Third party registered and unregistered trademarks and logos are the property of their respective owners.