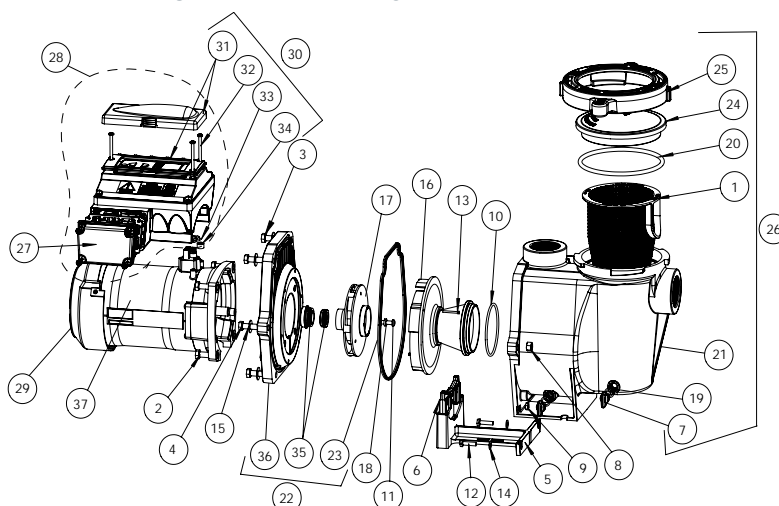


INTELLIFLO® VARIABLE SPEED PUMP- BEFORE 2019 INTELLIFLO VS+SVRS PUMP - BEFORE JUNE 2016

REPLACEMENT PARTS

CALIFORNIA PROPOSITION 65 WARNING
 ⚠️ **WARNING:** Cancer and Reproductive Harm.
 ⚠️ **AVERTISSEMENT:** Peut Causer le Cancer et des Dommages au Système Reproducteur.
 ⚠️ **ADVERTENCIA:** Cáncer y Daño Reproductivo.
 www.p65warnings.ca.gov. P65-2015-14



Item	Part No.	Description	US List	Can. List
INTELLIFLO VARIABLE SPEED & INTELLIFLO VS+SVRS				
1	070387Z	Basket WF	CALL	CALL
2	070429ZZ	Bolt hex HD, 2-56 x .875 S/S, 4 req.	CALL	CALL
3	070430	Bolt, 3/8-16 x 1-1/4 hex cap 18-8 S/S, 4 req.	2.76	3.32
4	070431	Bolt, 3/8-16 x 2 hex cap 18-8 S/S, 2 req.	3.03	3.64
5	070927	Foot WF, pump motor support, almond	42.27	50.79
6	070929	Foot insert WF pump, almond	21.21	25.49
7	071131Z	Plug drain WFE, almond, 2 req.	CALL	CALL
8	071403	Nut, 3/8-16 brass nickel plated, 2 req.	1.69	2.03
9	071406	Nut, 1/4-20 hex S/S, 2 req.	1.69	2.03
10	355227Z	O-ring #238, 3.484 x .139, buna N 70	CALL	CALL
11	071652Z	Screw, 1/4, 20 x 1 LH phillips pan MS 18-8 S/S, 1 req.	CALL	CALL
12	071657Z	Screw, 1/4-20 x 1 in. hex cap 18-8 S/S, 2 req.	CALL	CALL
13	071660Z	Screw set, 4-40 x 1-1/8 WFE sckt cap 18-8 S/S, 2 req.	CALL	CALL
14	072183	Washer, flat 1/4 x 5/8 20GA thick 18-8 S/S, 2 req.	1.69	2.03
15	072184	Washer, 3/8 ID x 7/8 OD .05 thick 18-8 S/S, 6 req.	1.69	2.03
16	072928	Diffuser assembly, black	100.17	120.36
17	073131	Impeller, IntelliFlo	110.03	132.21
18	075713	Rubber washer, WFE pump, 1 req.	1.69	2.03
19	192115Z	O-ring 112, .487 x .103 buna -N 70, 2 req.	CALL	CALL
20	350013Z	O-ring lid CH/WF 2-436, 1 req.	CALL	CALL
21	350015	Housing WFE, almond	251.61	302.33
22	350202	Seal plate kit, almond w/ gasket (Items 23, 35, 36)	221.99	266.74
23	357100Z	Black Gasket for Seal plate	CALL	CALL
23	357102Z	Almond Gasket for Seal plate	CALL	CALL
24	357151	Lid, see thru WF.	39.57	47.55
24	357156	Lid, Chemical Resistant	74.65	89.70
25	357199	Clamp cam & ramp WF, almond	52.56	63.16
26	357243	Pot WF assy., almond (contains 1, 7 (qty. 2), 19 (qty. 2), 20, 21, 24, 25	526.49	632.63

Item	Part No.	Description	US List	Can. List
27	350621	Junction Box Cover - Almond	22.38	26.89
28	356879Z	IntelliFlo Variable Speed Drive Kit - Contains Drive and Control Cover Assy. (VS only)	1574.99	1892.51
28	351021	IntelliFlo VS+SVRS Drive Kit ¹ - Contains Drive and Control Cover Assy. (SVRS drive)	CALL	CALL
29	352401	Motor fan kit, almond (contains fan, shroud, hardware).	191.35	229.93
30	350601	Drive Control Cover assembly kit ² , almond (contains drive lid, screws, spacer caps, items 31, 32 (qty. 3), 33, 34 (qty. 3)	238.72	286.85
30	400100	Drive Control Cover assembly kit ³ , almond (contains drive lid, screws, spacer caps, items 31, 32, (qty.3), 33, 34 (qty. 3)	238.72	286.85
31	350082	Control cover assembly (not sold individually - order assy. kit item #30)	CALL	CALL
32	350107	Screw 10-24 x 3 3/4 in. PH MS 18-8 s/s (qty. 3)	4.62	5.55
33	350108	IntelliFlo drive gasket	9.59	11.52
34	350142	Spacer cap (qty. 3)	33.51	40.27
35	071734S	Seal Kit	33.41	40.15
36	074564Z	Seal Plate - Almond	CALL	CALL
37	350105S	Motor VFD 3.2KW PMSM replacement, almond	CALL	CALL
NOT SHOWN				
	070118	Power end IntelliFlo Variable Speed (Contains items 2, 10, 11, 13, 15, 16, 17, 18, 19, 22, 28)	CALL	CALL
	350122	50 ft. Communication Cable	186.48	224.07
	357149	Almond Volute/Seal plate Replacement Kit (Items 1, 7 (Qty 2), 19 (Qty 2), 20, 21, 22, 23, 24, 25)	331.07	397.81
	350612	Hardware/gasket assy. kit (contains 3 screws, 3 spacer caps and drive gasket)	119.16	143.18
	357603	Union Kit (contains 2 complete unions for one pump, not included with pump).	123.12	147.94
	350199	Seal Plate Kit (ozone/salt resistant)	216.81	260.52

¹ Contact factory for IntelliFlo VS+SVRS2
² Used on pumps manufactured before 12/23/13
³ Used on pumps manufactured after 12/23/13 to present