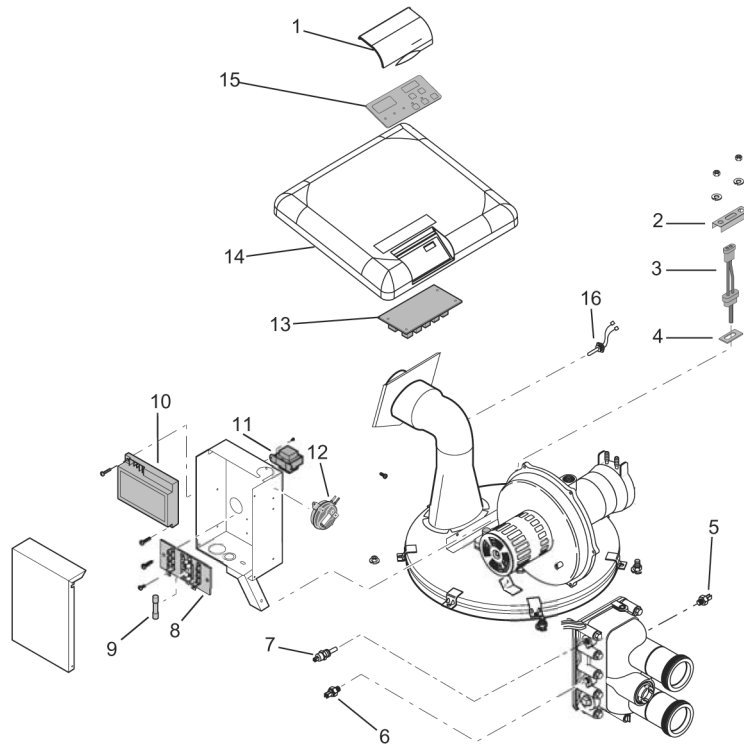


MASTERTEMP® HEATER (CONT'D)

ELECTRICAL SYSTEM REPLACEMENT PARTS



Item	Part No.	Description
ELECTRICAL SYSTEM		
1	42002-0035Z	Heater Display Cover
2	42001-0030S	Igniter Bracket
3	77707-0054	Igniter/Igniter Gasket Kit, Incl. Item Nos. 3 and 4)
4	42001-0066S	Igniter Gasket
5	42002-0025S	Automatic Gas Shutoff Switch (AGS)
6	42001-0063S	High Limit Switch
7	42001-0053S	Thermistor
8	42001-0056S	Terminal Board
9	32850-0099	Fireman's Switch Fuse (1.25A, 1-1/4 in.)
10	42001-0052S	Ignition Control Module
11	42001-0107S	Transformer, 115/230V
12	42001-0061S	Air Flow Switch
13	42002-0007S	Control Board Kit (NA, LP Series)
14	42002-0034Z	Heater, Top
15	472610Z	Membrane Pad (NA, LP Series)
16	42002-0024S	Stack Flue Sensor
NOT SHOWN		
	42001-0104S	Heater Wiring Harness -115/230V
	42001-0105S	120/240 Volt Plug Kit