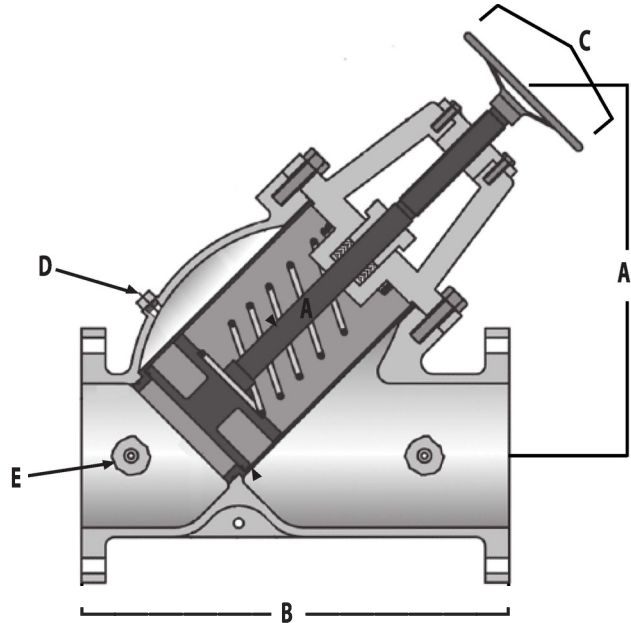




# Globe Style Triple Duty Valve

## Features:

- Available 2.5" through 16"
- 3 valves in one: Shut off valve-Check valve-Balance valve
- ANSI B16.10 Flat Face Flanges
- Spring assisted disc ensures quiet operation and prevents water hammer
- Cast Iron A 126-B Body
- Seat & Seal EPDM Material
- 200 (13.79) M.A.W.P. PSG (Bars) Sizes <=12"; 150 (10.34) Sizes >=14"
- 125°F 121°C



PENTAIR PART NUMBER	PART NUMBER	SIZE		HEIGHT A		LENGTH B		HANDLE WIDTH C		D N.P.T		E N.P.T		WEIGHT	
		(IN.)	(MM.)	(IN.)	(MM.)	(IN.)	(MM.)	(IN.)	(MM.)	(IN.)	(MM.)	(IN.)	(MM.)	(LBS)	(KG)
8965691642	TDV-002GL	2	50.8	9 1/5	233 1/3	8 3/8	212 5/7	6 1/4	158 3/4	1/2	12 2/3	1/4	6 1/3	33	838 1/5
8965692642	TDV-025GL	2.5	63.5	9 5/8	244 1/2	9 7/8	250 5/6	6 1/4	158 3/4	1/2	12 2/3	1/4	6 1/3	42	1066 4/5
8965693642	TDV-003GL	3	76.2	10 3/8	263 1/2	10	254	9 3/8	238 1/8	1/2	12 2/3	1/4	6 1/3	59	1498 3/5
8965694642	TDV-004GL	4	101.6	13 5/16	338 1/7	14 1/2	368 2/7	9 3/8	238 1/8	1/2	12 2/3	1/4	6 1/3	104	2641 3/5
8965695642	TDV-005GL	5	127	15 3/16	385 3/4	16	406 2/5	11	279 2/5	1/2	12 2/3	1/4	6 1/3	170	4318
8965696642	TDV-006GL	6	152.4	16 7/8	428 5/8	18	457 1/5	11	279 2/5	3/4	19	1/4	6 1/3	202	5130 4/5
8965697642	TDV-008GL	8	203.2	21 1/8	536 4/7	21 1/2	546 1/9	12 1/2	317 1/2	3/4	19	1/4	6 1/3	280	7112
8965698642	TDV-010GL	10	254	25 1/4	641 1/3	25 1/2	647 2/3	12 1/2	317 1/2	1	25 2/5	1/4	6 1/3	422	10718 4/5
8965699642	TDV-012GL	12	304.8	27 1/8	689	30	762	12 1/2	317 1/2	1	25 2/5	1/4	6 1/3	816	20726 2/5
8965700642	TDV-014GL	14	355.6	29 5/8	752 1/2	30 3/8	771 1/2	12 1/2	317 1/2	1	25 2/5	1/4	6 1/3	1112	28244 4/5
8965701642	TDV-016GL	16	406.4	42 13/16	1087 4/9	37	939 4/5	12 1/2	317 1/2	1	25 2/5	1/4	6 1/3	1478	37541 1/5
8965702642	TDV-018GL	18	457.2	46 3/16	1173 1/6	41	1041 2/5	15 7/8	403 2/9	1	25 2/5	1/4	6 1/3	1500	38100

**NOTE:** B Dimensions are given in full open position.

Valve must be installed with stem/handle in the upward position.

All packaging materials, thread protectors, plastic plugs and caps must be removed before installation.

Dimensions are subject to change without notice, please confirm actual dimensions with factory at time of order.





**Bill of Materials**

ITEM NUMBER	DESCRIPTION	MATERIAL
1	Valve Body	A 126-B Cast Iron
2	Cover Flange	A 126-B Cast Iron
3	Valve Disc	A536 Nickel Plated*
4	Valve Stem	Type 410 Stainless Steel
5	Valve Seat Guild	A536 Nickel Plated Ductile Iron
6	Flange Gland	A 126-B Cast Iron
7	Packing	Non-Asbestos
8	Valve Spring	300 Series Stainless Steel
9	Packing Gland	A 126-B Cast Iron
10	Valve Stem Guide	A536 Ductile Iron
11	Valve Seat Ring	A536 Nickel Plated Ductile Iron
12	Valve Seat Seal	EPDM O-Ring
13	Valve Disc Seat	EPDM O-Ring

\*Optional Material B62 Bronze

