



# EVERPURE® MRS-600HE-II HIGH EFFICIENCY RO SYSTEM

HIGH OUTPUT/HIGH EFFICIENCY CONFIGURABLE SYSTEM THAT DELIVERS RO AND BLENDED FILTERED WATER FOR MULTIPLE FOODSERVICE APPLICATIONS

MRS-600HE-II System:  
EV9970-54; EV9970-70; EV9970-71; EV9970-72  
MR-600 Cartridge EV9627-13  
7FS-BW Cartridge EV9627-16  
MC<sup>2</sup> Cartridge EV9612-56



## APPLICATIONS

Mineral Reduction System For Foodservice Applications Including Coffee Brewers, Espresso, Steamers, Combi Ovens, and Ice

Ideal For Specialty Coffee

## FEATURES • BENEFITS

The tailored blending process removes just the right amount of dissolved solids from the incoming tap water to achieve the desired final water quality

With the average recovery of 78%, the MRS-600HE-II system only disposes approximately 1/4 cup of water for each cup of water dispensed

High recovery reverse osmosis technology yields significant savings in water and sewer charges with a minimal environmental footprint

Requires less than 50% of the electrical energy typically consumed by conventional reverse osmosis systems

Reduces limescale buildup that can cause excessive machine downtime and increased maintenance costs

Reduces chlorine taste and odor and other contaminants that can adversely affect the taste of water and beverages

System operation is tailored to the water quality at each location to maximize recovery

## INSTALLATION TIPS

Choose a mounting location capable of safely supporting the full weight of the system when in operation.

Delimiting of existing water using equipment is recommended.

Never use saddle valve for connection.

Use 3/8" (9.5 mm) minimum water line.

Install vertically with cartridges hanging down and allow 3" (76 mm) on all four (4) sides of unit for cover removal and service access.

The product water tubing/piping and associated fittings connecting the RO product outlet to the equipment being serviced should be suitable for use with high purity water.

## OPERATION TIPS

Change filter cartridges on a regular one (1) year preventative maintenance program.

Change RO cartridges on a regular one year (1) preventative maintenance program.

Change cartridges when capacity is reached.

Always flush the filter cartridge at time of installation and cartridge change.

Refer to Installation, Operation & Maintenance Manual for cartridge flushing and RO startup.

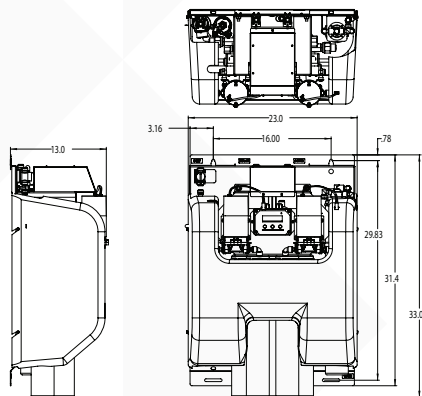
## SIZING

The water inlet must supply a minimum of 1.5 gpm (5.7 Lpm)

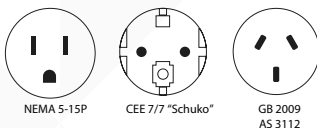
Service Flow Rate: Dependant on water pressure in storage tank and line size(s) to equipment

# EVERPURE® MRS-600HE-II HIGH EFFICIENCY RO SYSTEM

## MRS-600HE-II



Power Cord Plug Types



### SPECIFICATIONS

#### Daily Production Rate

600 gpd (2,271 Lpd) nominal (plus tap water addition for processor with blend)  
Total daily production rate will vary based on tap water TDS, RO percent rejection and desired blend water TDS. Contact Everpure for assistance estimating this total.

#### Service Flow Rate

Dependant on water pressure in storage tank and line size(s) to equipment.

#### Operating Pressure Requirements

25 - 80 psi (1.72 - 5.52 bar), non-shock  
Pressure below 50 psi (3.45 bar) may affect blend system performance.

#### Minimum Static Pressure Requirements

100 psi (6.89 bar), non-shock

#### Minimum Water Supply

1.5 gpm (5.7 Lpm)

#### Temperature

40 - 100°F (4.4 - 38°C)

#### Overall Dimensions

33" H x 23" W x 13" D (83.8 x 58.4 x 33 cm)  
Add 3" (7.6 cm) on all 4 sides for cover removal and service access.

#### Inlet/Outlet/Wastewater Line Connection

3/8" OD tube connection

#### Inlet TDS

1,000 ppm max. recommended

#### Available Voltages & Power Cord Types

EV9970-54: USA 110-120 VAC/50-60 Hz  
NEMA 5-15P  
EV9970-70: Europe 220-240 VAC/50-60 Hz  
CEE 7/7  
EV9970-71: China 220-240 VAC/50-60 Hz  
GB 2099  
EV9970-72: Australia 220-240 VAC/50-60 Hz  
AS 3112

#### Shipping Weight

100 lbs (45.4 kgs)

#### Operating Weight

110 lbs (49.9 kgs) (not including external storage tanks)

The contaminants or other substances removed or reduced by this drinking water system are not necessarily in your water. Do not use with water that is microbiologically unsafe or of unknown quality without adequate disinfection before or after the system.

### WARRANTY

MRS-600HE-II system (excluding replaceable elements) is covered by a limited warranty against defects in material and workmanship for a period of one year after the date of purchase.

Everpure water treatment systems by Pentair® (excluding replaceable elements) are covered by a limited warranty against defects in material and workmanship for a period of five years after date of purchase. Everpure replaceable elements (filter cartridges and water treatment cartridges) are covered by a limited warranty against defects in material and workmanship for a period of one year after date of purchase. See printed warranty for details. Pentair will provide a copy of the warranty upon request.



### FILTRATION & PROCESSING SOLUTIONS

EVERPURE-SHURFLO WORLD HEADQUARTERS, 1040 MUIRFIELD DRIVE, HANOVER PARK, IL 60133 USA • WWW.EVERPURE.COM  
800.942.1153 MAIN (US ONLY) • 630.307.3000 MAIN • 630.307.3030 FAX • CSEVERPURE@PENTAIR.COM EMAIL

EVERPURE-SHURFLO AUSTRALIA, 1-21 MONASH DRIVE, DANDENONG SOUTH, VIC 3175, AUSTRALIA  
011.1300.576.190 TEL • 011.61.39.562.7237 FAX • AU.EVERPURE@PENTAIR.COM EMAIL

EVERPURE-SHURFLO CHINA, 21F CLOUD 9 PLAZA, NO 1118, SHANGHAI, 200052, CHINA  
86.21.3211.4588 TEL • 86.21.3211.4580 FAX • CHINA.WATER@PENTAIR.COM EMAIL

EVERPURE-SHURFLO INDIA, GREEN BOULEVARD, B-9/A, 7TH FLOOR - TOWER B SECTOR 62, NOIDA - 201301  
91.120.419.9444 TEL • 91.120.419.9400 FAX • INDIACUSTOMER@PENTAIR.COM EMAIL

EVERPURE-SHURFLO EUROPE, PENTAIR WATER BELGIUM BVBA, INDUSTRIEPARK WOLFSTEE, TOEKOMSTLAAN, 30 B-2200 HERENTALS, BELGIUM  
+32.(0).14.283.500 TEL • +32.(0).14.283.505 FAX • SALES@EVERPURE-EUROPE.COM EMAIL

EVERPURE-SHURFLO JAPAN INC., HASHIMOTO MN BLDG. 7F, 3-25-1 HASHIMOTO, MIDORI-KU, SAGAMIHARA-SHI KANAGAWA 252-0143, JAPAN  
81.(0)42.775.3011 TEL • 81.(0)42.775.3015 FAX • INFO@EVERPURE.CO.JP EMAIL

EVERPURE-SHURFLO SOUTHEAST ASIA, SOUTHEAST ASIA, 390 HAVELOCK ROAD, #04-01, KING'S CENTRE, SINGAPORE 169662  
65.6768.5800 TEL • 65.6737.5149 FAX • CSEVERPURE@PENTAIR.COM EMAIL

All Pentair trademarks and logos are owned by Pentair, Inc. or its affiliates. All other registered and unregistered trademarks and logos are the property of their respective owners. Because we are continuously improving our products and services, Pentair reserves the right to change specifications without prior notice. Pentair is an equal opportunity employer.