



# SHURFLO® 8025 STANDARD WATER BOOST PUMP

WATER BOOST PUMP TO MAINTAIN WATER PRESSURE

---

8025 Water Boost Pump: 8025-833-336



## APPLICATIONS

---

Water delivery

## FEATURES • BENEFITS

---

Positive displacement three (3) chamber diaphragm pump

NSF/UL/CSA-Listed

Self-priming up to 12 ft (3.5 m) vertical

Can run dry without damage

Electric cord

Integrated double check valves

## INSTALLATION TIPS

---

Can mount in any position

115 Vac nominal with cord

## OPERATION TIPS

---

Self-priming

## SIZING

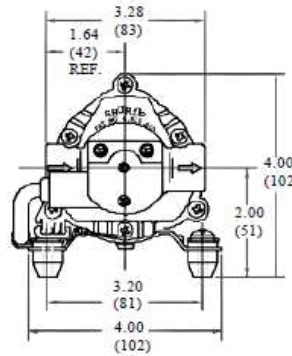
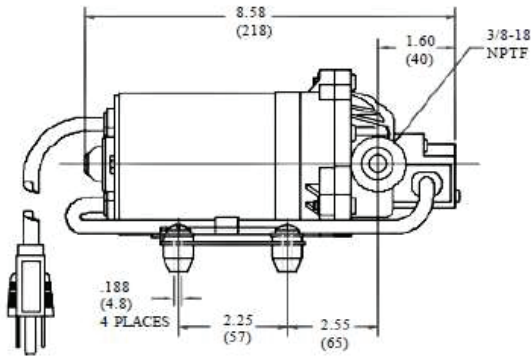
---

Service Flow Rate: 1.5 gpm (5.7 Lpm)

Ports: 3/8" and 1/2" fittings available

# SHURFLO® 8025 STANDARD WATER BOOST PUMP

## 8025-833-336



### SPECIFICATIONS

#### Motor

Permanent magnet, P/N 11-195-01, thermally protected

**Voltage** 115 Vac nominal with cord

**Pressure** 60 psi (4.1 bar)

**Liquid Temperature**  
180°F (82°C) maximum

#### Prime

Self-priming up to 12 ft (3.5 m) vertical

**Ports** 3/8" and 1/2" fittings available

**Cam** 3.0 Degree

**Service Flow Rate** 1.5 gpm (5.7 Lpm)

#### Materials

Plastics: Nylon

Valves: Food grade Viton

Diaphragm: Santoprene

Fasteners: Zinc plated steel

**Weight** 5.3 lbs (2.4 kg)

### WARRANTY

Limited Pentair® Warranty is valid from the date of manufacture or with proof of purchase:

- 2088 - One year
- Water Boost - One year
- Water Pressure Reducer Valve - One year
- 8000, 8025, 8010, 8075, 8095 - One year

Pentair will provide a copy of the warranty upon request.



### FILTRATION & PROCESSING SOLUTIONS

EVERPURE-SHURFLO WORLD HEADQUARTERS, 1040 MUIRFIELD DRIVE, HANOVER PARK, IL 60133 USA • WWW.EVERPURE.COM  
800.942.1153 MAIN (US ONLY) • 630.307.3000 MAIN • 630.307.3030 FAX • CSEVERPURE@PENTAIR.COM EMAIL

EVERPURE-SHURFLO AUSTRALIA / NEW ZEALAND, 1-21 MONASH DRIVE, DANDENONG SOUTH, VIC, 3175, AUSTRALIA  
1300.576.190 TEL • AU.EVERPURE@PENTAIR.COM EMAIL

EVERPURE-SHURFLO CHINA, 21F CLOUD 9 PLAZA, NO 1118, SHANGHAI, 200052, CHINA  
86.21.3211.4588 TEL • 86.21.3211.4580 FAX • CHINA.WATER@PENTAIR.COM EMAIL

EVERPURE-SHURFLO INDIA, GREEN BOULEVARD, B-9/A, 7TH FLOOR - TOWER B SECTOR 62, NOIDA - 201301  
91.120.419.9444 TEL • 91.120.419.9400 FAX • INDIACUSTOMER@PENTAIR.COM EMAIL

EVERPURE-SHURFLO EUROPE, PENTAIR WATER BELGIUM BVBA, INDUSTRIEPARK WOLFSTEE, TOEKOMSTLAAN, 30 B-2200 HERENTALS, BELGIUM  
+32.(0).14.283.500 TEL • +32.(0).14.283.505 FAX • SALES@EVERPURE-EUROPE.COM EMAIL

EVERPURE-SHURFLO JAPAN INC., HASHIMOTO MN BLDG. 7F, 3-25-1 HASHIMOTO, MIDORI-KU, SAGAMIHARA-SHI KANAGAWA 252-0143, JAPAN  
81.(0)42.775.3011 TEL • 81.(0)42.775.3015 FAX • INFO@EVERPURE.CO.JP EMAIL

EVERPURE-SHURFLO SOUTHEAST ASIA, 390 HAVELOCK ROAD, #04-01, KING'S CENTRE, SINGAPORE 169662  
65.6795.2213 TEL • FAX: 65.6795.2219 FAX • CSEVERPURE@PENTAIR.COM EMAIL

All Pentair trademarks and logos are owned by Pentair, Inc. All other brand or product names are trademarks or registered marks of their respective owners. Because we are continuously improving our products and services, Pentair reserves the right to change specifications without prior notice. Pentair is an equal opportunity employer.